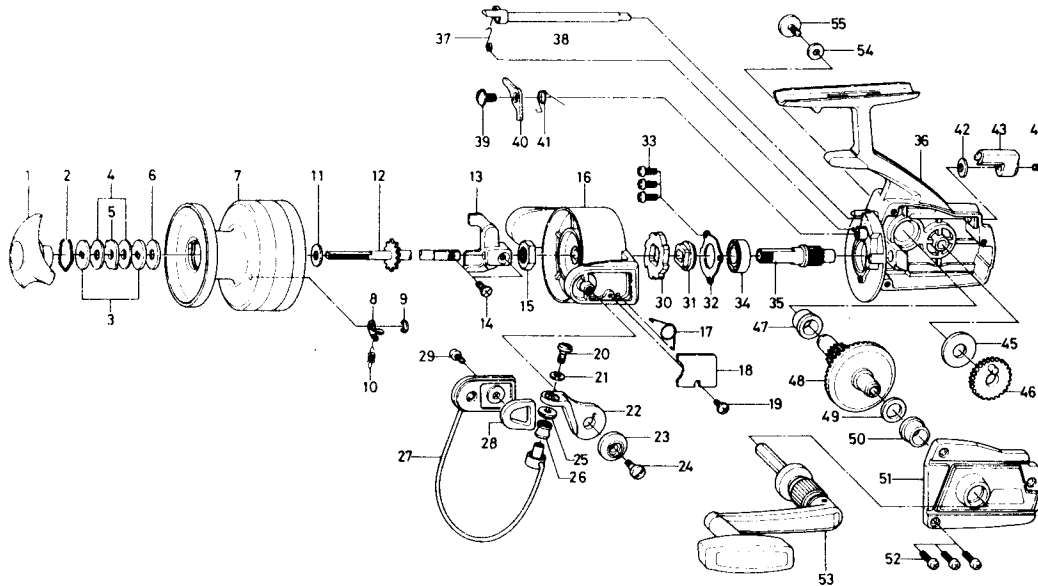


SPINNING REEL 2600C



Key No.	Parts No.	Parts Name	
1	740-2103	Drag knob	
2	170-4001	Drag washer retainer	
3	373-2502	Drag D washer	
4	374-2901	Disc washer	
5	375-5301	Drag A washer	Sold as one unit
6	370-6901	Drag washer A	
7	734-1702	Spool	Spool assembly 6-734-1603
8	B07-8201	Spool click claw	
9	320-1402	Spool click claw retainer	
10	145-2101	Spool click claw spring	
11	374-9002	Spool washer	
12	710-9123	Main shaft	
13	481-0901	Oscillating slider	
14	351-8901	Oscillating slider screw	
15	340-8301	Rotor nut	
16	201-7707	Rotor	
17	143-5311	Bail spring	
18	632-6411	Bail spring cover	
19	352-2501	Bail spring cover screw	
20	363-3111	Bail screw	
21	375-1101	Bail washer	
22	231-1901	Arm lever	
23	130-3201	Bail holder cap	
24	363-1901	Arm lever screw	
25	501-2001	Roller collar	
26	250-4321	Line roller	
27	725-7401	Bail	
28	210-3111	Balancer	

Key No.	Parts No.	Parts Name
29	351-6601	Bail holder screw
30	280-7001	Ratchet
31	636-6711	Click gear
32	635-9901	Ball bearing ret. washer
33	351-6601	Ball bearing ret. washer screw
34	635-4801	Ball bearing
35	402-7511	Pinion gear
36	701-0006	Body
37	144-0321	Anti-reverse cam spring
38	B15-6402	Anti-reverse cam
39	352-1102	Anti-reverse claw screw
40	111-5801	Anti-reverse claw
41	144-5601	Anti-reverse claw spring
42	373-2700	Anti-reverse lever washer
43	541-1901	Anti-reverse lever
44	352-2501	Anti-reverse lever screw
45	374-6600	Oscillating gear washer
46	412-3411	Oscillating gear
47	501-6201	Bearing metal
48	414-0701	Drive gear
49	371-2820	Drive gear washer
50	501-6201	Bearing metal
51	706-6006	Body cover
52	351-8501	Body cover screw
53	746-8832	Handle
54	371-9521	Handle washer
55	351-3631	Handle screw