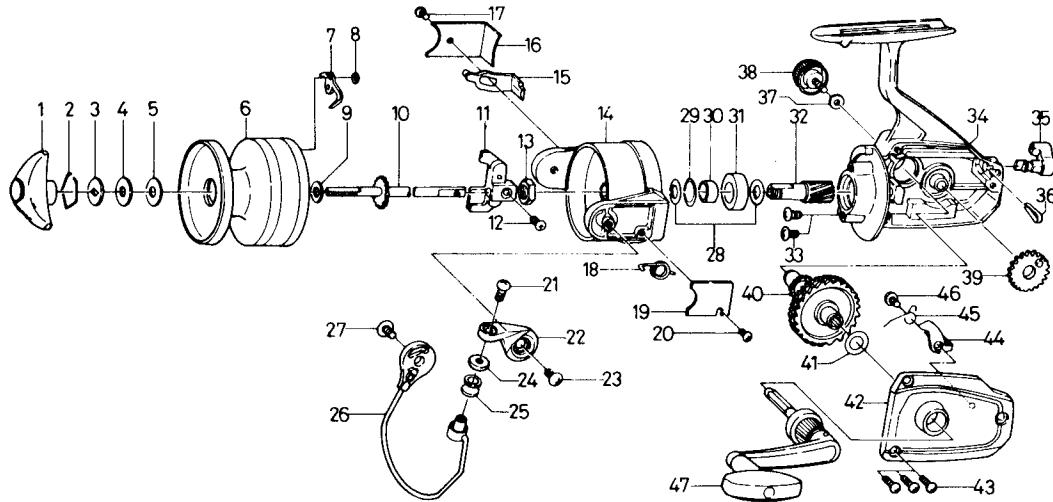


SPINNING REEL 250X



Key No. 2 ~ 8
K02-4703 Spool Assembly*

| Key No. | Parts No. | Parts Name | Key No. | Parts No. | Parts Name |
|---------|-----------|-----------------------------|---------|-----------|---------------------------|
| 1 | B60-1401 | Drag knob | 24 | 501-2003 | Line roller washer |
| 2 | 170-4511 | Drag washer retainer | 25 | 250-4501 | Line roller |
| 3 | B60-1301 | Key washer | 26 | B19-7703 | Bail* |
| 4 | 372-7701 | Drag washer | 27 | 352-1103 | Bail holder screw |
| 5 | 150-8401 | Drag spring washer | 28 | 371-2822 | Pinion washer A |
| 6 | K08-5602 | Spool | 29 | 372-8600 | Pinion washer B |
| 7 | 030-4511 | Click pawl | 30 | 501-5101 | Pinion collar |
| 8 | B13-0601 | Click retainer | 31 | 636-2611 | Shaft metal |
| 9 | 373-6802 | Spool washer | 32 | 402-4511 | Pinion gear |
| 10 | B19-7901 | Main shaft | 33 | 353-8202 | Shaft metal screw |
| 11 | 481-2211 | Oscillating slider | 34 | K10-2604 | Body* |
| 12 | 351-8901 | Oscillating slider screw | 35 | B66-2301 | Anti-reverse lever |
| 13 | B10-5701 | Rotor nut | 36 | B11-4303 | Anti-reverse lever spring |
| 14 | B19-7107 | Rotor* | 37 | 371-9522 | Handle lock washer |
| 15 | B19-7502 | Bail trip lever | 38 | K10-2402 | Handle screw cap |
| 16 | B19-7603 | Bail trip lever cover* | 39 | 413-2212 | Oscillating gear |
| 17 | 352-0402 | Bail trip lever cover screw | 40 | K10-2901 | Drive gear |
| 18 | K01-0501 | Bail spring* | 41 | 371-2800 | Drive gear washer |
| 19 | B19-7403 | Bail spring cover | 42 | K10-3004 | Side cover* |
| 20 | 352-0402 | Bail spring cover screw | 43 | 351-5904 | Side cover screw |
| 21 | B11-2801 | Line roller screw | 44 | 110-9622 | Anti-reverse pawl |
| 22 | B19-7303 | Bail arm | 45 | 144-2801 | Anti-reverse pawl spring |
| 23 | 352-1103 | Bail arm screw | 46 | 351-6102 | Anti-reverse pawl screw |
| | | | 47 | K10-3201 | Handle |

* 1988 REEL MODEL