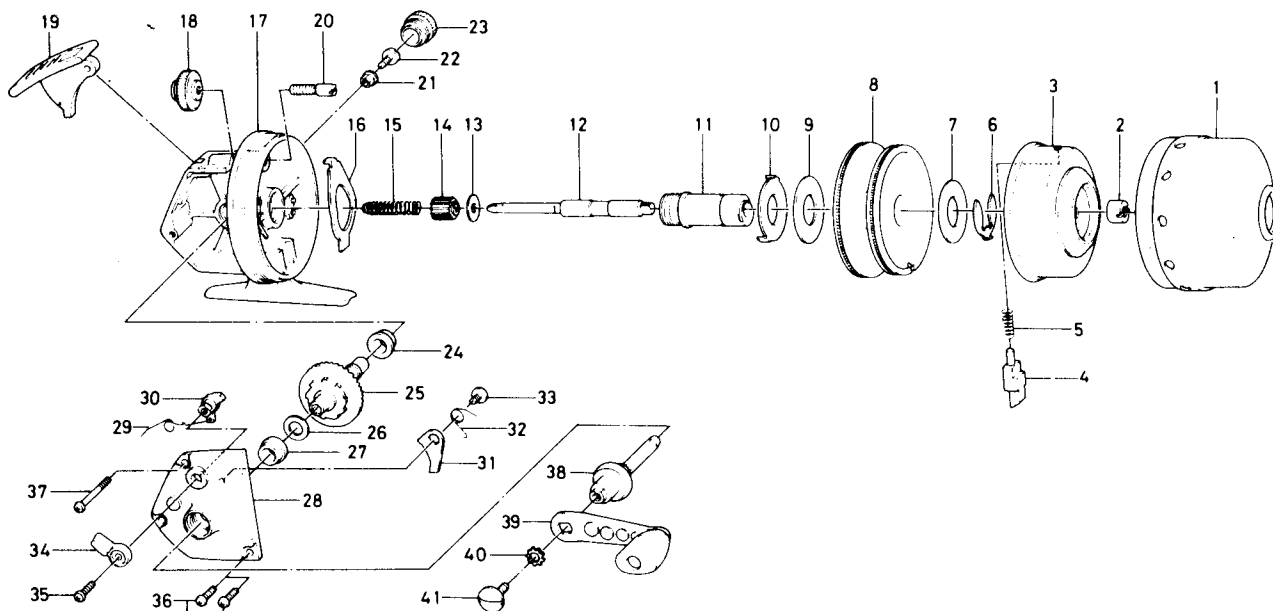


SPINCASTING REEL

**SILVERCAST 215RL**



KEY NO. 3 ~ 5  
6-736-7001

**ROTOR ASSEMBLY**

KEY No. 12 ~ 15  
6-711-2021

**MAIN SHAFT ASSEMBLY**

Key No.	Parts No.	Parts Name
1	755-1601	Front cover
2	342-4911	Rotor nut
3	736-7101	Rotor
4	180-3901	Pick up pin
5	142-4501	Pick up pin spring
6	320-9101	Spool retainer
7	370-0412	Spool washer
8	733-7201	Spool
9	376-0501	Drag washer A
10	376-0401	Drag washer B
11	381-7831	Shaft metal
12	393-4311	Main shaft
13	370-0226	Pinion washer
14	402-6701	Pinion
15	142-7711	Main shaft spring
16	151-8501	Drag adjusting plate
17	701-3801	Body
18	B12-3001	Drag adjusting dial
19	781-6505	Push button
20	363-5911	Drag adjusting screw
21	501-8501	Handle screw holder

Key No.	Parts No.	Parts Name
22	363-8511	Handle screw A
23	B03-4802	Handle screw cap
24	637-4801	Drive gear shaft holder
25	413-5501	Drive gear
26	370-5100	Drive gear washer
27	637-4801	Drive gear shaft holder
28	063-0207	Body cover
29	B09-1401	Anti-reverse cam spring
30	461-4501	Anti-reverse cam
31	111-7011	Anti-reverse claw
32	144-5111	Anti-reverse claw spring
33	351-7701	Anti-reverse claw screw
34	541-3132	Anti-reverse lever
35	351-4701	Anti-reverse lever screw
36	351-1101	Body cover screw (short)
37	353-4911	Body cover screw (long)
38	071-0504	Drive gear shaft
39	B09-2502	Handle
40	160-8001	Handle washer
41	363-5301	Handle screw B