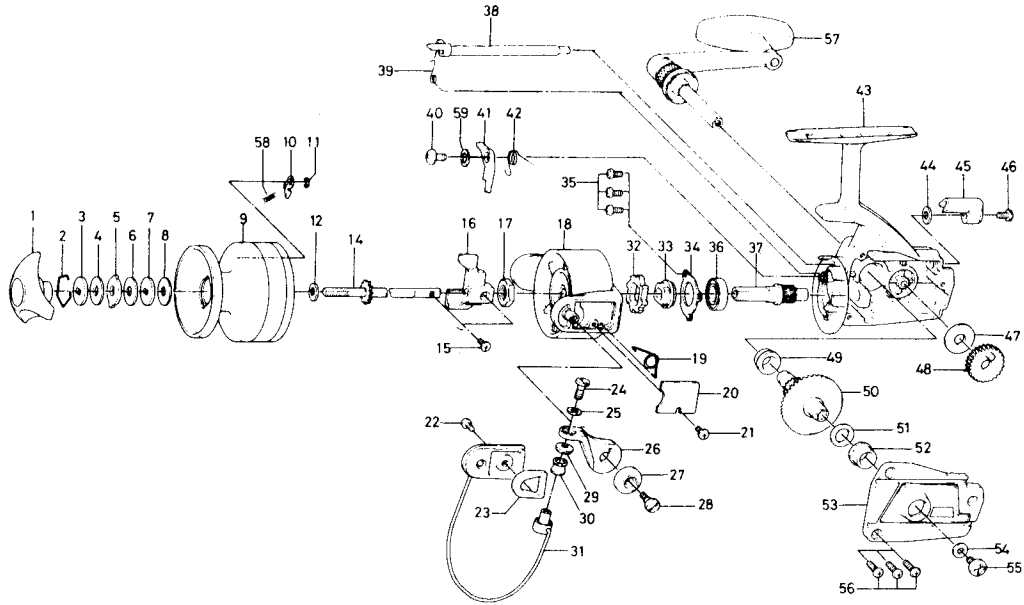


SPINNING REEL 1600C



KEY NO. 2 ~ 11 & 58
6-B26-0501

SPOOL ASSEMBLY

Key No.	Parts No.	Parts Name	Key No.	Parts No.	Parts Name
1	740-2103	Drag knob	31	725-7201	Bail
2	170-4001	Drag washer retainer	32	280-9501	Ratchet
3	373-2502	Drag D washer	33	636-6711	Click gear
4	374-2901	Disc washer	34	635-9901	Ball bearing ret. washer
5	375-5301	Drag A washer	35	351-6601	Ball bearing ret. washer s
6	374-2901	Disc washer	36	635-4801	Ball bearing
7	373-2502	Drag D washer	37	402-8311	Pinion gear
8	370-6901	Drag washer A	38	461-5002	Anti-reverse cam
9	B18-0401	Spool	39	144-0321	Anti-reverse cam spring
10	B07-5302	Spool click claw	40	353-8201	Anti-reverse claw screw
11	320-5902	Spool click claw retainer	41	111-7501	Anti-reverse claw
12	371-8331	Spool washer	42	144-9701	Anti-reverse claw spring
14	711-2601	Main shaft	43	701-0305	Body
15	351-5311	Oscillating slider screw	44	373-2700	Anti-reverse lever washer
16	481-2001	Oscillating slider	45	541-1901	Anti-reverse lever
17	340-8301	Rotor nut	46	352-2501	Anti-reverse lever screw
18	202-0002	Rotor	47	375-0900	Oscillating gear washer
19	144-9801	Bail spring	48	413-1201	Oscillating gear
20	632-6411	Bail spring cover	49	501-6201	Bearing metal
21	352-2501	Bail spring cover screw	50	414-0601	Drive gear
22	351-6601	Bail holder screw	51	371-2800	Drive gear washer
23	210-3111	Balancer	52	501-6201	Bearing metal
24	353-1811	Bail screw	53	706-6604	Body cover
25	375-1001	Bail washer	54	371-9521	Handle washer
26	231-1811	Arm lever	55	351-3631	Handle screw
27	130-3201	Bail holder cap	56	351-8501	Body cover screw
28	363-1901	Arm lever screw	57	747-2811	Handle
29	501-1601	Roller collar	58	144-1211	Spool click claw spring
30	250-4221	Line roller	59	375-5803	Anti-reverse claw washer

LINE #602028
MONOCLAVE TOPPER