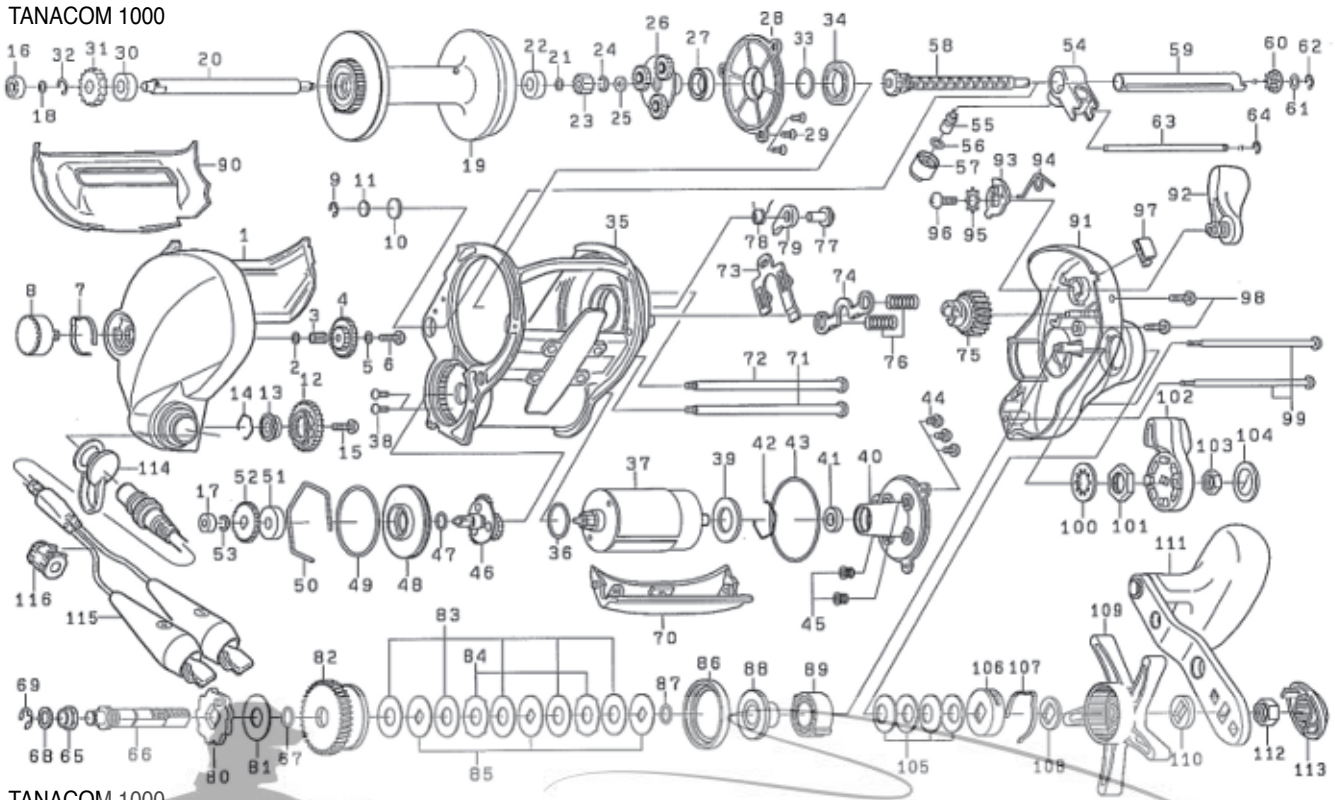


Parts List

TANACOM 1000



TANACOM 1000

No.	Parts No.	Parts Name	No.	Parts No.	Parts Name	No.	Parts No.	Parts Name
1	6H3778031	SIDE PLATE(L) AS	46	6G1413025	METAL AS	91	6H9928010	SIDE PLATE(R) AS
2	6E0965040	WASHER	47	6F7148010	O-RING	92	6F4690061	LEVER
3	6H4398011	COLLAR	48	6F7396012	PLATE	93	6F5979011	PLATE AS
4	6H4399010	GEAR	49	6F5958010	O-RING	94	6F5982012	SPRING
5	6F5719020	WASHER	50	6F5959010	RING	95	616080010	SPRING WASHER
6	635177060	SCREW	51	6F7397010	BEARING	96	635382120	SCREW
7	6E0332010	LEAF SPRING	52	6G2257010	GEAR	97	6E2860010	LINE STOPPER
8	6E4896222	SCREW	53	632016111	RETAINER	98	635387050	SCREW
9	632059010	RETAINER	*1 54	6G8121022	LEVELWIND AS	99	6G4059010	SCREW
10	6G2251030	WASHER	55	612206011	PIN	100	6F2859010	SPRING WASHER
11	6F6738021	WASHER	56	6F7746000	WASHER	101	6F3031020	NUT
12	6G2252010	GEAR	57	6E3541011	NUT	102	6F4297024	LEVER AS
13	6G0703010	BALL BEARING	58	6G8354011	WORM SHAFT AS	103	634240041	NUT
14	6G0702010	RING	59	6G3628011	PIPE	104	6F4300052	CAP
15	635382070	SCREW	60	6F4672012	COLLAR	105	6E2535010	SPRING WASHER
16	663721020	BALL BEARING	61	6B4117060	WASHER	106	6F4700021	CAP
17	663756010	BEARING	62	632059010	RETAINER	107	6B7477021	LEAF SPRING
18	6B4117000	WASHER	63	6G3629010	PILLAR	108	6F4701011	WASHER
19	6GB115043	SPOOL AS	64	6B8641010	RETAINER	109	6F5504151	STAR DRAG
20	6G8117010	MAIN SHAFT	65	6E2525010	BUSH	110	6H6365010	COLLAR
21	637169060	WASHER	66	6F7153021	GEAR SHAFT	111	6H9918010	HANDLE AS
22	6F7137010	BEARING	67	6F6578010	O-RING	112	6B8621022	NUT
23	6G1264021	GEAR	68	637558010	WASHER	113	6F4712053	CAP
24	632059010	RETAINER	69	632076010	RETAINER	114	6F6610023	CAP
25	6F7746000	WASHER	70	6G3745061	MOTOR COVER	115	6G8687012	CORD
26	6G8118010	METAL AS	71	6G3630010	SCREW	*2 116	6G9054010	FERRITE CORE
27	6G1568010	BALL BEARING	72	6G3631010	SCREW			
28	6F5941041	PLATE	73	6F5970010	SLIDE PLATE			
29	6F2069010	SCREW	74	6E2906010	CLUCH PLATE			
30	6F7137010	BEARING	75	6F7402012	PINION			
31	6G2257010	GEAR	76	6G4734010	SPRING			
32	632016111	RETAINER	77	6F7730010	PIN			
33	6F6826000	WASHER	78	6F6083013	SPRING			
34	6F3891020	BALL BEARING	79	6F5972010	STOPPER			
35	6G3825026	FRAME AS	80	6F5973013	RATCHET AS			
36	6G4888010	O-RING	81	637466040	WASHER			
37	6G8119010	MOTOR AS	82	6G8120010	DRIVE GEAR			
38	6G3859010	SCREW	83	6B3602120	WASHER			
39	6F7012010	WASHER	84	637238333	WASHER			
40	6G3626010	MOTOR HOLDER AS	85	6B3603020	WASHER			
41	6F0783010	BEARING	86	6F8170010	PACKING			
42	6B2705011	RING	87	6F6578010	O-RING			
43	6F5953010	O-RING	88	6G8290010	COLLAR			
44	635161010	TRUSS SCREW	89	6F7156010	BEARING			
45	6G1734010	PACKING	90	6G3748054	FINGER COVER			

*1: Part No. 6G8121012 is applied to the U.S. model.

*2: Part No. 116 is only applied to the European Model.

There may sometimes be a difference between the purchased reel and the Dismantled Parts Chart or the parts list above due to the adjustment process etc. We appreciate your understanding.