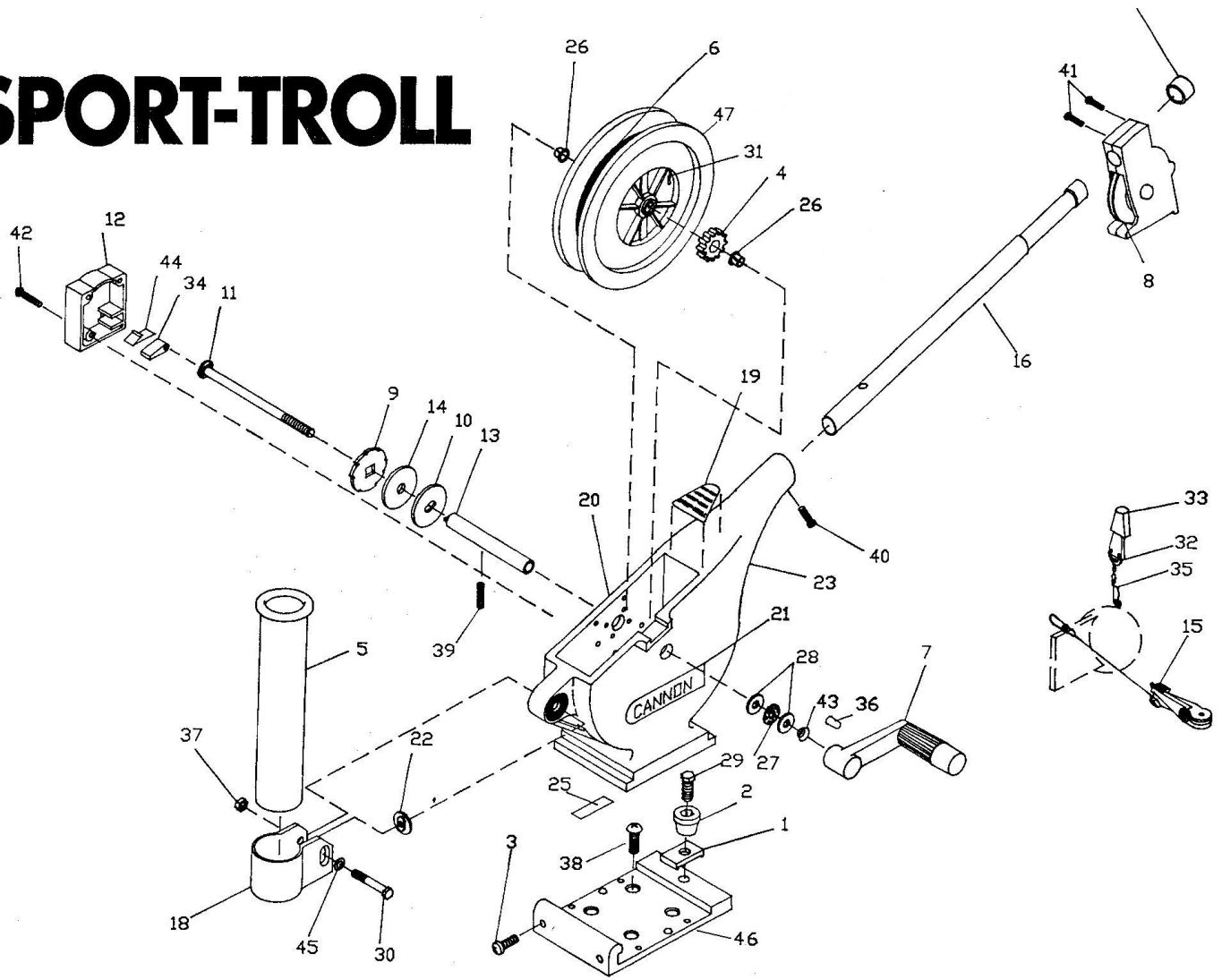


SPORT-TROLL



#	Part #	Description
1	0209347	LUG RETAINING
2	0249610	KNOB THUMB ECONO BASE LOCK
3	9280740	SCREW #8X1/2 PAN HD PHIL
4	0233560	GEAR REEL
5	0290796	TUBE ROD HOLDER
6	0315396	WIR.027 DIA 7 STRAND
7	0422002	ASY CRANK HANDLE ET
8	0444001	ASY HEAD SW W/COUNTER
9	0467694	RATCHET BRAKE FACE
10	0467695	REEL PLATE CLUTCH/BRAKE
11	1000904	ASY SHAFT RATCHET UT6
12	1021480	HSG COVER CLUTCH UT6
13	1080001	SHAFT REEL ET/UT
14	1264670	ASY CLUTCH PAD SM HOLE
15	2277002	RELEASE ASM UNIVERSAL
16	3310008	ASY BOOM COPOLYMER
17	3316001	CAP-BOOM END
18	3319005	ASY CLAMP ROD HOLDER OBROUND
19	3324001	DEC SPORT TROLL
20	3324005	DEC CANNON 3/4X3
21	3324006	DEC CANNON 1X4
22	3325002	DISK ROD HOLDER OBROUND
23	3330001	FRAME BLACK W/O LOGO (SMALL)

#	Part #	Description
24	608018	RUBBER BAND 3-1/2" #19
26	9010001	BEARING NYLINER KEYED
27	9010280	BEARING TORQUE TRANS
28	9010310	BEARING RACE TORQUE
29	9040150	BOLT 1/4-20X7/8 HEX HD
30	9040310	BOLT 5/16-18X2 HEX HD
31	9100070	CON LEADER SLEEVE
32	9100100	CON TERMINATOR
33	9100101	CUSHN SLEEVE TERMINATOR
34	9100160	DOG RATCHET
35	9100620	SNAP SWIVEL MARLIN
36	9100721	RETAINER BEARING (SHIP)
37	9130190	NUT 5/16-18 HEX
38	9280310	SCREW. 1/4 20X1/2 UNDERCUT
39	9340130	SCREW. SET 5/16-18X1" 1/2 DG
40	9370002	SCREW. #8 PAN HD SELF TAP
41	9370010	SCREW. #4X1/2 PAN HD PHIL
42	9370220	SCREW #10-1 1/4 FH TYPE A
43	9400040	SPRING CRANK
44	9400070	SPRING DOG
45	9430101	WASHER 5/16 FLAT
46	NLA	BASE ASSY USE 2207001 TAB LOCK BASE
47	0274000	ASY REEL 7-1/2"