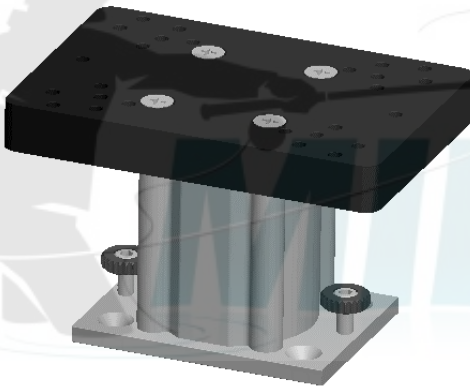




PEDESTAL MOUNTS

4" FIXED PEDESTAL MOUNT	1904030
6" FIXED PEDESTAL MOUNT	1904031
4" SWIVEL PEDESTAL MOUNT	1904032
6" SWIVEL PEDESTAL MOUNT	1904033

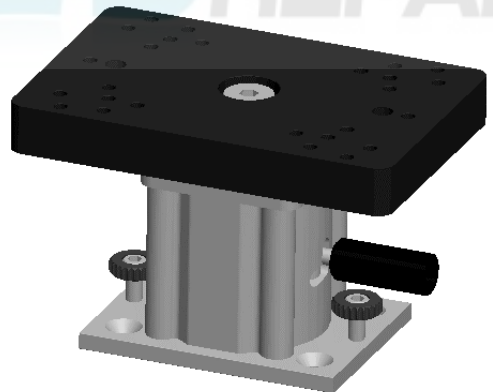


CAUTION:
READ THIS MANUAL CAREFULLY
BEFORE OPERATING YOUR
NEW CANNON ACCESSORY.
RETAIN FOR FUTURE REFERENCE.

NOTE: Do not return your CANNON accessory to your retailer. Your retailer is not authorized to repair or replace this unit. You may obtain service by:

- calling CANNON at 1-800-227-6433;
- returning your accessory to the Factory Service Center; 121 Power Drive, Mankato, MN 56001

Please include proof of purchase and purchase date for warranty service with any of the above options.



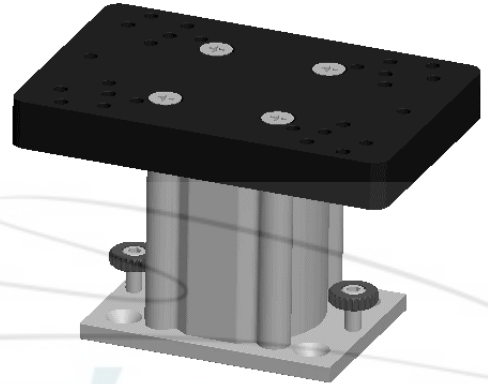
Owner's Manual

Pedestal Mount Models & Features

1904030 Fixed Base Downrigger Pedestal 4"

1904031 Fixed Base Downrigger Pedestal 6"

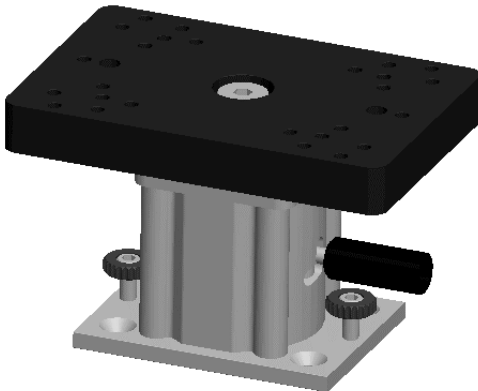
Cannon's fixed base downrigger pedestals can be surface mounted or track mounted for a variety of mounting positions and easy removal. The 3/4" thick aluminum top plate is pre-drilled and tapped for mounting Cannon downriggers as well as most Scotty®, Big Jon®, Penn®, Vector, Proos, Fishlander and Walker downriggers. Components are made from clear anodized aluminum and stainless steel for strength and corrosion resistance. The fixed base downrigger pedestals are compatible with Cannon, Bert's, and Traxstech track systems. Available in 4" and 6" heights.



1904032 Swivel Base Downrigger Pedestal 4"

1904033 Swivel Base Downrigger Pedestal 6"

Cannon's swivel base downrigger pedestals can be surface mounted or track mounted for a variety of mounting positions and easy removal. With 16 locking points, these downrigger pedestals allow for 360° downrigger rotation with locking points every 22.5°. The 3/4" thick aluminum top plate is pre-drilled and tapped for mounting Cannon downriggers as well as most Scotty®, Big Jon®, Penn®, Vector, Proos, Fishlander and Walker downriggers. Bearing system ensures smooth swivel action even while a downrigger weight is attached. Components are made from clear anodized aluminum and stainless steel for strength and corrosion resistance. The swivel base downrigger pedestals are compatible with Cannon, Bert's, and Traxstech track systems. Available in 4" and 6" heights.



How to use the Swivel Pedestal

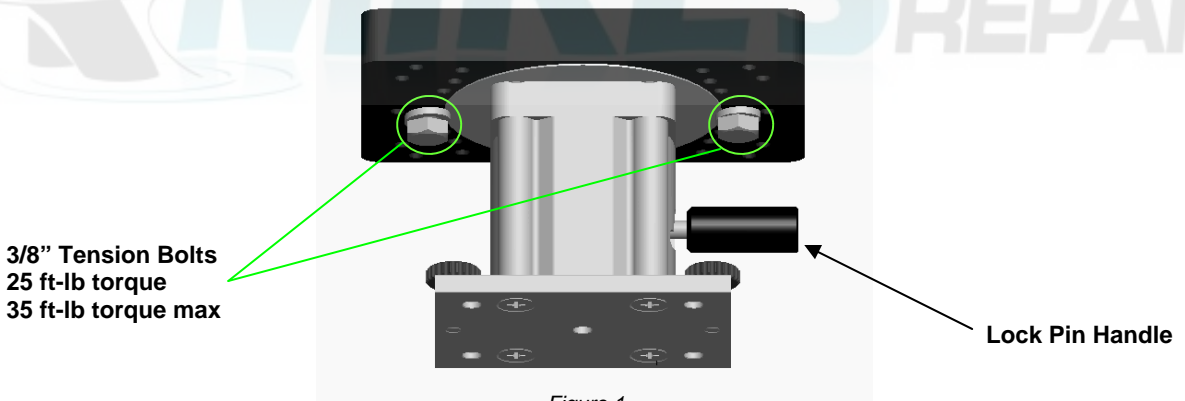
Cannon's swivel base downrigger pedestals allow you to rotate the mounting plate for optimal positioning. To rotate the mounting plate, disengage the lock pin by pulling the lock pin handle down. Turn the plate to the desired angle and release the spring loaded lock pin making sure that it reengages. Check to make sure the swivel is in a fixed position.

Swivel Base Break Away Reset

The Cannon Swivel bases feature a unique break away system which allows the top plate to rotate while in the locked position. The break away feature will help prevent damage to the downrigger and boat in the event that the downrigger boom or ball would strike an object. If this should occur, the mounting plate of the swivel pedestal will turn, giving way to the unexpected load. The mounting plate can be reset back to any position by following these steps:

- 1) Locate the 3/8" bolts on the bottom of the top plate (See Figure 1).
- 2) With the pedestal locked in any position, loosen the bolts
- 3) Rotate the mounting plate back to the desired position.
- 4) Tighten the 3/8" bolts to 25 ft-lb.

Note: The downrigger weight must be stowed before resetting the swivel pedestal mount.



Mounting the Pedestal to Your Boat

Mounting Directly to Deck or Gunnel

Carefully choose an ideal position for where you may best utilize your pedestal mount. Use the base of the pedestal as a template to mark hole locations and drill four 9/32" diameter through holes. Fix the pedestal to the deck or gunnel using four 1/4"-20 flat head screws with four flat washers, lock washers, and nuts (*not included*). To determine the length of screw needed, measure the thickness of deck that you are mounting to and add at least 3/4".

Mounting to Cannon Track Mount

For versatility and lightening quick mounting, the Cannon Mounting Track system is ideal for utilizing your pedestal mount on your boat. Slide the base of the pedestal into the track and tighten the thumb screws to fix the pedestal in position. You may use a 3/16" Allen wrench for additional tightening.

Note: For the Swivel Pedestal Mount, rotate the release handle to access the top of the thumb screw with the Allen wrench.

1904025 Aluminum Mounting Track 6"

1904026 Aluminum Mounting Track 12"

1904027 Aluminum Mounting Track 18"

1904028 Aluminum Mounting Track 24"

1904029 Aluminum Mounting Track 36"

Cannon tracks allow for flexible mounting positions and easy removal of Cannon's track system accessories. Locking grooves allow thumb screws to index with track and prevent accessories from twisting. The system is compatible with Cannon, Bert's, and Traxtech track system products. Components are made from clear anodized aluminum and stainless steel for strength and corrosion resistance. All mounting hardware included. Available in 6, 12, 18, 24, and 36 inch lengths.



Mounting to Cannon Deck Mount

The Cannon Deck Mount works great for adding stability and easy removal to your pedestal mount. With you Cannon Deck Mount installed on your boat, attach your pedestal mount by removing the thumb screws and fastening the pedestal base to the plate with four 1/4"-20 x 3/8" long flat head screws.

1904000 Deck Mount

The Cannon Deck Mount plate is a four inch by three inch clear anodized aluminum plate which allows the hard mounting of Cannon Dual Axis Rod Holders. The plate comes with a black protective mounting boot and all mounting hardware.



Mounting Your Downrigger to the Pedestal Mount

The Cannon Pedestal Mount provides 1/4"-20 tapped mounting holes for attaching most downrigger mounting bases. To attach a mounting base you will need four 1/4"-20 screws (**not included**). To determine the length of screws needed, measure the thickness of the downrigger mounting base and add 1/2". See below for screw lengths for the Cannon Downrigger mounting bases.

Magnum / Digi-Troll Tall Mounting Base — 2" Long Truss Head screw
Uni-Troll Low-profile Mounting Base — 1" Long Truss Head screw
Easi-Troll / Lake-Troll Tab-Lock Base — 3/4" Long Truss Head screw

Pedestal Mount \ Accessory Compatibility

Pedestal \ Mounts	Track Mount	Gimbal Track Mount	Pedestal Track Mount	Rail Mount	Clamp Mount	Deck Mount
4" Fixed Mount	●	○	○	○	○	●
6" Fixed Mount	●	○	○	○	○	●
4" Swivel Mount	●	○	○	○	○	●
6" Swivel Mount	●	○	○	○	○	●

● - Compatible ○ - Not Compatible

Troubleshooting - Swivel Pedestal

Problem: Pedestal will not rotate when the lock pin is disengaged.

Make sure the downrigger line is all the way up. Any load on the downrigger or pedestal may prevent the pin from disengaging. Spray a lubricant into the slot which the lock pin slides. Make sure lock pin moves freely up / down.

Problem: Pedestal rotates while in locked position under normal use.


The break away bolts are not tight enough. Re-torque bolts to 25 ft-lb.

NOTE: Bolts may have to be tightened higher than 25 ft. lbs under some conditions. Do not exceed 35 ft-lb as this may damage the top plate.

Problem: Pedestal did not breakaway while locked when the boom struck an object.

The break away bolts are over-tightened. Loosen bolts and re-torque to 25 ft. lbs.

Replacement Parts

Part	Part Number	Description	USED ON
	3393413	THUMB SCREW	1904030, 1904031, 1904032, 1904033