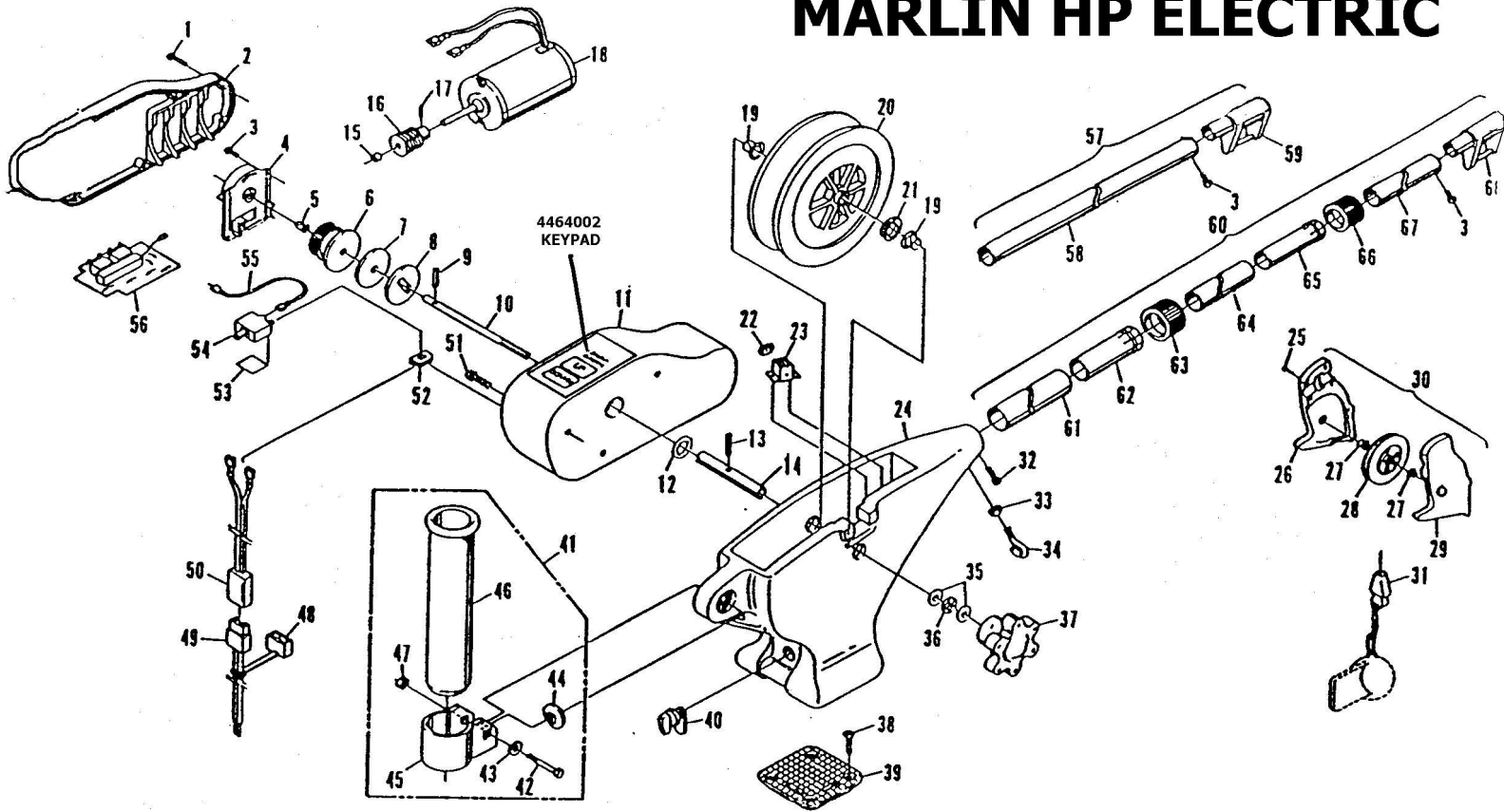


# MARLIN HP ELECTRIC



Key No.	Part Name	Part No.
1.	Screw #8 x 7/8 Pan Hd. (6 needed)	9370002
2.	Cover — Motor Housing	1421070
3.	Screw #8 x 5/8 Pan Hd. (5 needed)	9370070
4.	Cover — Gear Case	1421071
5.	Bearing — Drive Shaft	9010003
6.	Gear & Driver — Worm	1433070
7.	Pad — Clutch	1284670
8.	Plate — Clutch	0467895
9.	Pin 3/16 x 1 Roll	9250002
10.	Shaft — Drive	1480070
11.	Housing Assembly — Motor	4443002
12.	Seal "O" Ring	1479070
13.	Screw 5/16-18 x 1 Set (Half Dog)	9340130
14.	Shaft — Reel	1480071
15.	Bearing — Motor Shaft	9010002
16.	Worm	1497070
17.	Pin 3/32 x 3/4 Roll	9250001
18.	Motor 12 Volt D.C.	1458001
19.	Bearing — Nyloner Keyed (2 needed)	9010001
20.	Reel Assembly	0274000
21.	Gear (Only) Reel	0233560
22.	Gear (Only) Counter	0833561
23.	Meter Assembly — Depth	0220126
24.	Frame — Main (Mid Size)	3330002
25.	Screw #4 x 1/2 Pan Hd (2 needed)	9370010

Key No.	Part Name	Part No.
26.	Plate — Side (Left)	0267002
27.	Bearing — Brass (2 needed)	9010070
28.*	Pulley — Cable	0269726
29.	Plate — Side (Right)	0267001
30.	Head Assembly — Swivel (Packaged)	2250135
	Head Assembly — Swivel (Unpackaged)	0200135
31.	Terminator (Pkg.)	2250141
32.	Screw 1/4-20 x 3/4 Pan Hd.	9280750
33.	Nut 1/4-20 Hex	9130100
34.	Hook — Ball (1/4-20 thread)	9040040
35.	Race — Bearing (2 needed)	9010310
36.*	Bearing — Thrust	9010280
37.	Knob — Assembly	0649002
38.	Screw 1/4-20 x 1 Truss Hd. (4 needed)	9280711
39.	Base — Mounting (Low Profile)	3307002
40.	Latch 1/4 Turn	3356001

## ROD HOLDER ASSEMBLY (OPTIONAL)

41.	Rod Holder Assembly Positive Lock (Pkg.)	2450005
42.	Bolt 5/16-18 x 1-3/4 Hex Hd.	9040310
43.	Washer 5/16 Flat	9430101
44.	Disk — Rod Holder Locking	3325001
45.	Clamp — Rod Holder w/Square	3319001
46.	Tube — Rod Holder	0290796
47.	Nut 5/16-18 Hex	9130180

Key No.	Part Name	Part No.
48.	Cap — Power Cable	1416070
49.	Cable Assembly — Battery	1415072
50.	Cable Assembly — Motor	1415070
51.	Screw 1/4 x 3/4 Hex Wash. Hd. (3 needed)	9370205
52.	Grommet — Power Cord	1435070
53.	Tape — Double Faced	9070576
54.	Circuit Breaker	1412070
55.	Wire — Jumper	1496070
56.	Short Stop Assembly	00716

## BOOM ASSEMBLY 2 FT. (OPTIONAL)

57.	Boom Assembly 2 Ft. (Pkg.)	2250384
58.	Boom 2 Ft.	2290817
59.	End — Boom	2216403

## BOOM ASSEMBLY TELESCOPIC (OPTIONAL)

60.	Boom Assembly Telescopic (Pkg.)	2210820
61.	Tube — Boom Base	2290828
62.	Collet — Base Tube	2222820
63.	Clamp — Base Tube	2219820
64.	Tube — Boom Intermediate	2290829
65.	Collet — Intermediate Tube	2222821
66.	Clamp — Intermediate Tube	2219821
67.	Tube — Boom End	2290830
68.	End — Boom	2227820
69.	Cable Replacement 200 Ft.	2215396