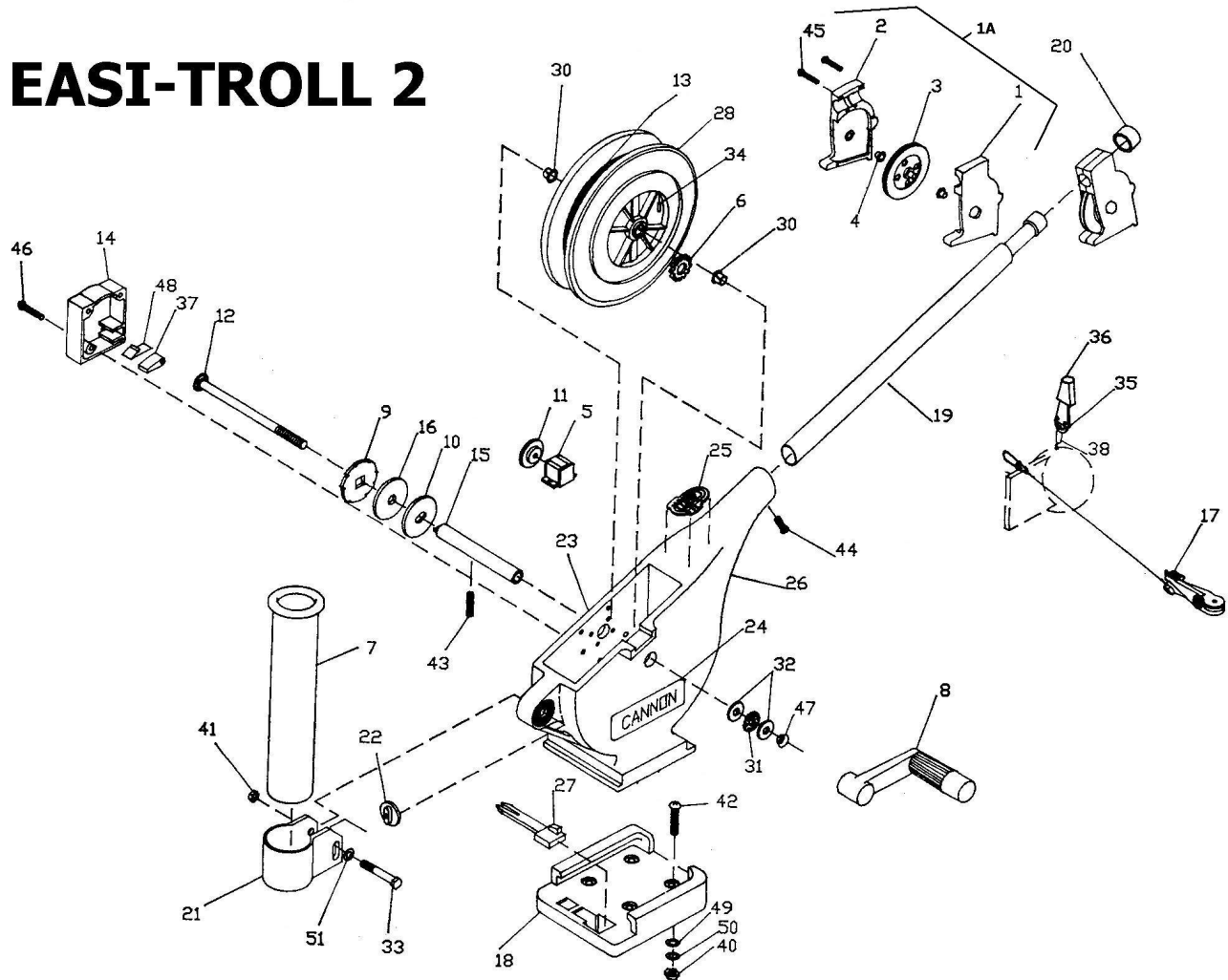


# EASI-TROLL 2



#	PART #	DESCRIPTION
1A	0200135	SWIVEL HEAD
1	0267001	PLATE SIDE (RIGHT)
2	0267002	PLATE SIDE (LEFT)
3	0269726	PULLY WHEEL SWIVEL
4	9010070	BEARING BRASS
5	0220477	METER 3 DIGIT
6	0233560	GEAR REEL
7	0290796	TUBE ROD HOLDER
8	0422002	CRANK HANDLE
9	0467694	RATCHET BRAKE FACE
10	0467695	REEL PLATE CLUTCH/BRAKE
11	0833561	GEAR COUNTER
12	1000904	SHAFT RATCHET UT6
13	1015391	WIR 316, 034 CAMO SS
14	1021480	HSG COVER CLUTCH UT6
15	1080001	SHAFT REEL ET/UT
16	1264670	CLUTCH PAD SM HOLE
17	2277002	RELEASE ASM UNIVERSAL
18	2207001	BASE ASSY - TAB LOCK

#	PART #	DESCRIPTION
19	3310002	BOOM 2 FEET COPOLYMER
20	3316001	CAP-BOOM END
21	3319005	CLAMP ROD HOLDER OBROUND
22	3325002	DISC ROD HOLDER OBROUND
23	3327002	EMBLEM 3/4 X 3 SMALL
24	3327003	EMBLEM 1 X 4 LARGE
25	3327006	EMBLEM NOSE
26	3330001	FRAME (SMALL)
27	3391001	LOCKING TAB
28	0274738	REEL 7 1/2" NEW
30	9010001	BEARING NYLINER KEYED
31	9010280	BEARING TORQUE TRANS
32	9010310	BEARING RACE TORQUE
33	9040310	BOLT 5/16-18 X 2 HEX HEAD
34	9100070	CON LEADER SLEEVE

#	PART #	DESCRIPTION
35	9100100	CON TERMINATOR
36	9100101	CUSHION SLEEVE TERMINATOR
37	9100160	DOG RATCH ET
38	9100620	SNAP SWIVEL MARLIN
40	9130100	NUT 1/4-20 HEX
41	9130190	NUT 5/16-18 HEX
42	9280725	SCREW 1/4 20X2 1/2 TRUSS
43	9340130	SCR SET 5/16-18X1 IN
44	9370002	SCR #8 PAN HD SELF TAPP
45	9370010	SCR #4X1/2 PAN HD PHIL
46	9370220	SCR #10-1 1/4 FH TYPE A
47	9400040	SPRING CRANK
48	9400070	SPRING DOG
49	9430040	WASHER 1/4 IN FLAT
50	9430070	WASHER 1/4 IN SPLIT LOCK
51	9430101	WASHER 5/16 FLAT