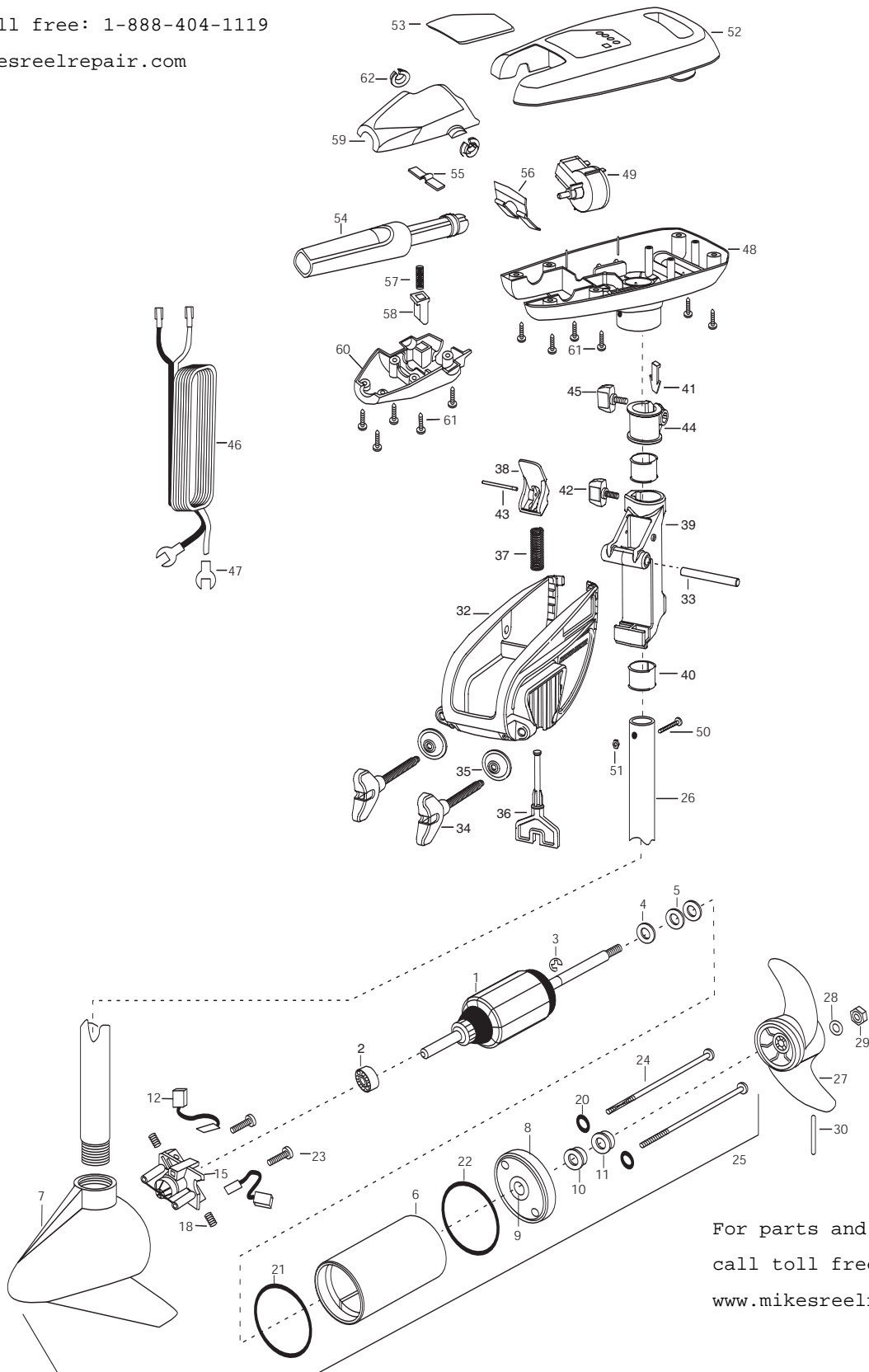


CAMO 44
44 lbs Thrust
12 Volt 42 Amps
36" Shaft

for use with "AH" serial numbers
2-year warranty from the date of purchase

For parts and service
call toll free: 1-888-404-1119
www.mikesreelrepair.com



For parts and service
call toll free: 1-888-404-1119
www.mikesreelrepair.com

1	2-100-201	ARMATURE ASSEMBLY 12V 3.25 40#
2	140-010	BEARING-BALL
3	788-015	RETAINING RING
4	990-067	WASHER - STEEL THRUST
5	990-070	WASHER - NYLATRON [2.EA]
6	2-200-079	HOUSING ASSEMBLY CENTER 3.25 TXT
7	2-300-132	HOUSING ASSEMBLY BRUSH END 3.25 SP.CO.
8	2-400-128	PLAIN END HOUSING ASSEMBLY 3.25
9	144-049	BEARING - FLANGE [SERVICE ONLY]
10	880-003	SEAL
11	880-006	SEAL WITH SHIELD
12	188-052	BRUSH ASSEMBLY [2.EA]
15	738-030	BRUSH PLATE W/HOLDER 3.25 ASSEMBLY
18	975-032	SPRING - COMPRESSION [2.EA]
20	701-007	O-RING [2. EA]
21	701-041	O-RING
22	701-039	O-RING MK406460
23	830-001	SCREW - SELF-THREAD 8-32X1.7 [2.EA]
24	830-078	THRU BOLT 8-32 X 8.96 [2. EA]
25	2068250	MOTOR ASSEMBLY 12V3.25 5SPD TXT
26	2067711	TUBE (COMP)W/CS K HOLE 36" CAMO DIPPED
■	1378126	PROPELLER KIT
27	2061125	PROPELLER W/WEDGE
28	2151726	WASHER-PROP (MEDIUM)
29	2053101	NUT-PROP NYLOC
30	2092600	PIN-DRIVE (SS)
■	2771810	BRACKET & HINGE ASSEMBLY- CAMO
■	2771910	BRACKET W/CLAMP SCREW ASSEMBLY (INCL.32,34,35)
*32	2061910	BRACKET PLASTIC
33	2060510	PIN-HINGE- ENDURA
*34	2061300	SCREW- CLAMP
*35	2011710	WASHER- CLAMP SCREW 1.5OD
■	2881300	CLAMP SCREW, WASHER, RETAINER KIT

36	2063605	T-BAR PLASTIC
37	2062706	SPRING- T-BAR ENDURA
38	2067201	LEVER- TILT BLACK ENDURA
39	2061810	HINGE-PLASTIC
40	2037301	BUSHING-HINGE [2.EA]
41	2062800	TENSION BLOCK- SNAP IN
42	2011385	SCREW-TENSION/NEW KNOB
43	2060515	PIN- TILT LEVER
44	2061520	COLLAR-DEPTH ((ENDURA)
45	2011365	SCREW-COLLAR/NEW KNOB
46	2050609	LEADWIRE 10 GA SPADE TERM
47	2020702	TERMINAL SPADE 10GA [2. EA]
48	2067706	CONTROL BOX CAMO W/HAND 5SPD
49	2064023	SWITCH-FWD/REV 5SPD
50	2033400	SCREW-10-24 K 1-3/4
51	2013110	NUT-10-24 HEX
52	2060284	CONTROL BOX COVER-(CAMO)
53	2095669	DECAL-COVER, 44XL CAMO
54	2990918	HANDLE ASSEMBLY-W/U-JOINT 5SPD
55	2302742	SPRING-DETENT OFF (SS)
56	2302743	SPRING-DETENT HANDLE-TILT
57	2302745	SPRING-RELEASE BUTTON (SS)
58	2303720	RELEASE BUTTON-HANDLE
59	2067708	HANDLE (TOP HALF) CAMO
60	2067707	HANDLE (LOWER HALF) CAMO
61	2303412	SCREW-6-20 x 5/8 SELF TAP [11 EA]
62	2060005	BEARING-HANDLE PIVOT [2. EA]

For parts and service

call toll free: 1-888-404-1119

www.mikesreelrepair.com

For parts and service
call toll free: 1-888-404-1119
www.mikesreelrepair.com

