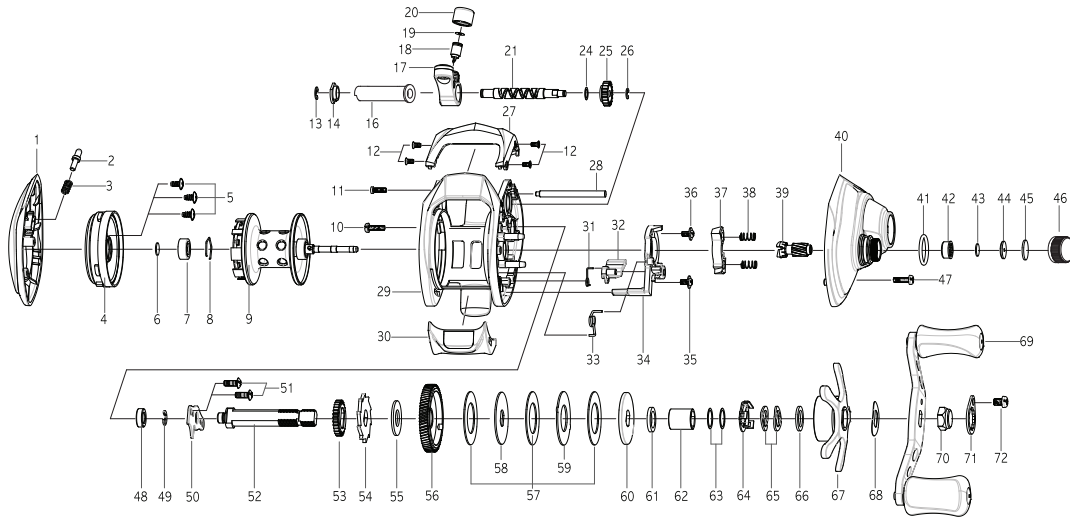


okuma

BAITCAST REEL

CAYENNE

CY-200W



| Key No. | Part No. | Part Name | Key No. | Part No. | Part Name |
|---------|----------|------------------------|---------|----------|--------------------------|
| 1 | 5K095002 | Palm side cover | 39 | 5K093801 | Pinion |
| 2 | 6K974501 | Lock pin | 40 | 5K094304 | Gear side cover assembly |
| 3 | 6K974401 | Coil spring | 41 | 6K176501 | O-ring |
| 4 | 5K095101 | Spool cover assembly | 42 | 6K176701 | Ball Bearing |
| 5 | 63535902 | Tap screw | 43 | 5K027001 | Spool tension Washer-A |
| 6 | 5K027001 | Spool tension washer-A | 44 | 6K176905 | Collar |
| 7 | 6K474501 | Ball bearing | 45 | 6K177001 | Cushion Washer |
| 8 | 6K468301 | Ring | 46 | 6K259106 | Tension knob |
| 9 | 5K094604 | Spool assembly | 47 | 6K311311 | Screw-A |
| 10 | 6K311311 | Screw-A | 48 | 6K170601 | Ball Bearing |
| 11 | 6K956203 | Screw-B | 49 | 63201402 | Retainer |
| 12 | 6K314101 | Tap screw | 50 | 6K929901 | Bearing plate |
| 13 | 6B339801 | Retainer | 51 | 6K398604 | Screw |
| 14 | 6K456801 | Bush | 52 | 5K093602 | Gear metal |
| 16 | 6K468601 | Pipe | 53 | 6K258101 | Gear |
| 17 | 5K092901 | Level Wind Assembly | 54 | 6K893602 | Ratchet |
| 18 | 5K041802 | Level wind pin | 55 | 6K174504 | Washer-L1 |
| 19 | 6K148801 | Washer | 56 | 5K093902 | Drive gear |
| 20 | 6K704403 | Level Wind Nut | 57 | 5K094001 | Washer-L2 |
| 21 | 5K095601 | Worm Shaft | 58 | 6K943101 | Washer-D1 |
| 24 | 6E096503 | Washer | 59 | 5K094101 | Washer-A |
| 25 | 6K469301 | Worm pinion | 60 | 6K943103 | Washer-D2 |
| 26 | 6B339801 | Retainer | 61 | 6K882402 | Collar |
| 27 | 5K094203 | Hood | 62 | 6K896701 | Sleeve |
| 28 | 6K939401 | Pillar | 63 | 6K177301 | Washer |
| 29 | 5K092602 | Frame assembly | 64 | 6K259501 | Leaf spring assembly |
| 30 | 6K977205 | Thumb bar assembly | 65 | 5K027201 | Spring washer |
| 31 | 5K119001 | Kick lever spring | 66 | 6K193601 | Washer |
| 32 | 5K092801 | Kick lever | 67 | 5K084015 | Star drag assembly |
| 33 | 5K093401 | Clutch cam spring | 68 | 6K161404 | Leaf spring |
| 34 | 5K093301 | Clutch cam | 69 | 5K083817 | Handle assembly |
| 35 | 6K723502 | Clutch cam screw | 70 | 5K047101 | Handle nut |
| 36 | 6K723502 | Clutch cam screw | 71 | 5K005001 | Handle nut retainer |
| 37 | 5K093701 | Clutch | 72 | 63520406 | Screw |
| 38 | 6K942501 | Coil spring | | | |

CY - 200

| | | |
|---|----------|----------------|
| 9 | 5K095403 | Spool assembly |
|---|----------|----------------|

PRINTED IN KOREA