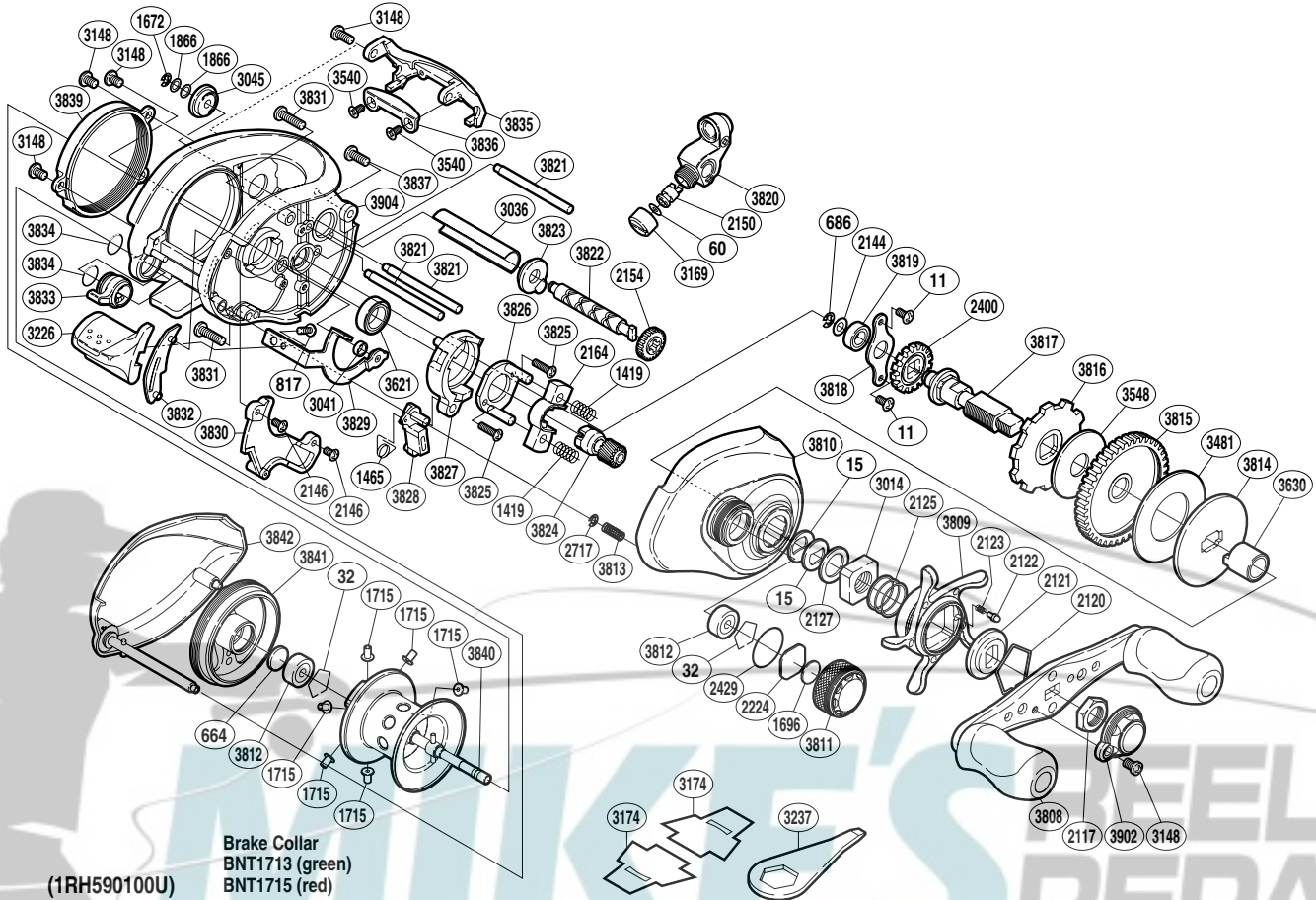


SHIMANO

CORE S A-RB

COR-100MG



(1RH590100U)

Brake Collar
BNT1713 (green)
BNT1715 (red)

Part No.	Description	Part No.	Description	Part No.	Description
BNT0011	Screw	BNT2429	O Ring	BNT3821	Level Wind Guide
BNT0015	Drag Spring Washer	BNT2717	E Lock	BNT3822	Worm Shaft
BNT0032	Bearing Retainer	BNT3014	Star Drag Nut	BNT3823	Worm Bushing A
BNT0060	Spacer	BNT3036	Level Wind Guard	BNT3824	Pinion Gear
BNT0664	Spacer B	BNT3041	Clutch Plate Shaft Support	BNT3825	Screw
BNT0686	E Lock	BNT3045	Worm Bushing B	BNT3826	Clutch Cam Retainer
BNT0817	Screw	BNT3148	Screw	BNT3827	Clutch Cam
BNT1419	Yoke Spring	BNT3169	Pawl Cap	BNT3828	Clutch Pawl
BNT1465	Clutch Pawl Spring	BNT3226	Quick-Fire II Clutch Bar	BNT3829	Clutch Plate
BNT1672	E Lock	BNT3481	Drag Washer	BNT3830	Clutch Guard
BNT1696	Cast Control Spacer	BNT3540	Screw	BNT3831	Screw
BNT1715	Brake Collar (red)	BNT3548	Drag Washer	BNT3832	Clutch Bar Guide B
BNT1866	Spacer	BNT3621	Ball Bearing	BNT3833	Side Plate Cam Lever
BNT2117	Handle Nut	BNT3630	Roller Clutch Inner Tube	BNT3834	O Ring
BNT2120	Click Plate Retainer	BNT3808	Handle Assembly	BNT3835	Level Wind Protector
BNT2121	Star Drag Click	BNT3809	Star Drag	BNT3836	Line Guard Retainer
BNT2122	Click Pin	BNT3810	Right Side Plate	BNT3837	Screw
BNT2123	Click Spring	BNT3811	Cast Control Cap	BNT3839	Side Frame Plate
BNT2125	Star Drag Spring	BNT3812	Ball Bearing	BNT3840	Spool Assembly
BNT2127	Star Drag Spacer	BNT3813	Damper Spring	BNT3841	Brake Case
BNT2144	Washer	BNT3814	Key Washer	BNT3842	Left Side Plate
BNT2146	Screw	BNT3815	Drive Gear	BNT3902	Handle Retainer
BNT2150	Line Guide Pawl	BNT3816	Anti-Reverse Ratchet	BNT3904	One-Piece Frame
BNT2154	Idle Gear	BNT3817	Drive Shaft		
BNT2164	Yoke	BNT3818	Drive Shaft Retainer	BNT1713	Brake Collar (green) (accessory)
BNT2224	Spool Tension Spacer	BNT3819	Ball Bearing	BNT3174	Reel Seat Spacer (accessory)
BNT2400	Idle Gear	BNT3820	Line Guide	BNT3237	Wrench (accessory)