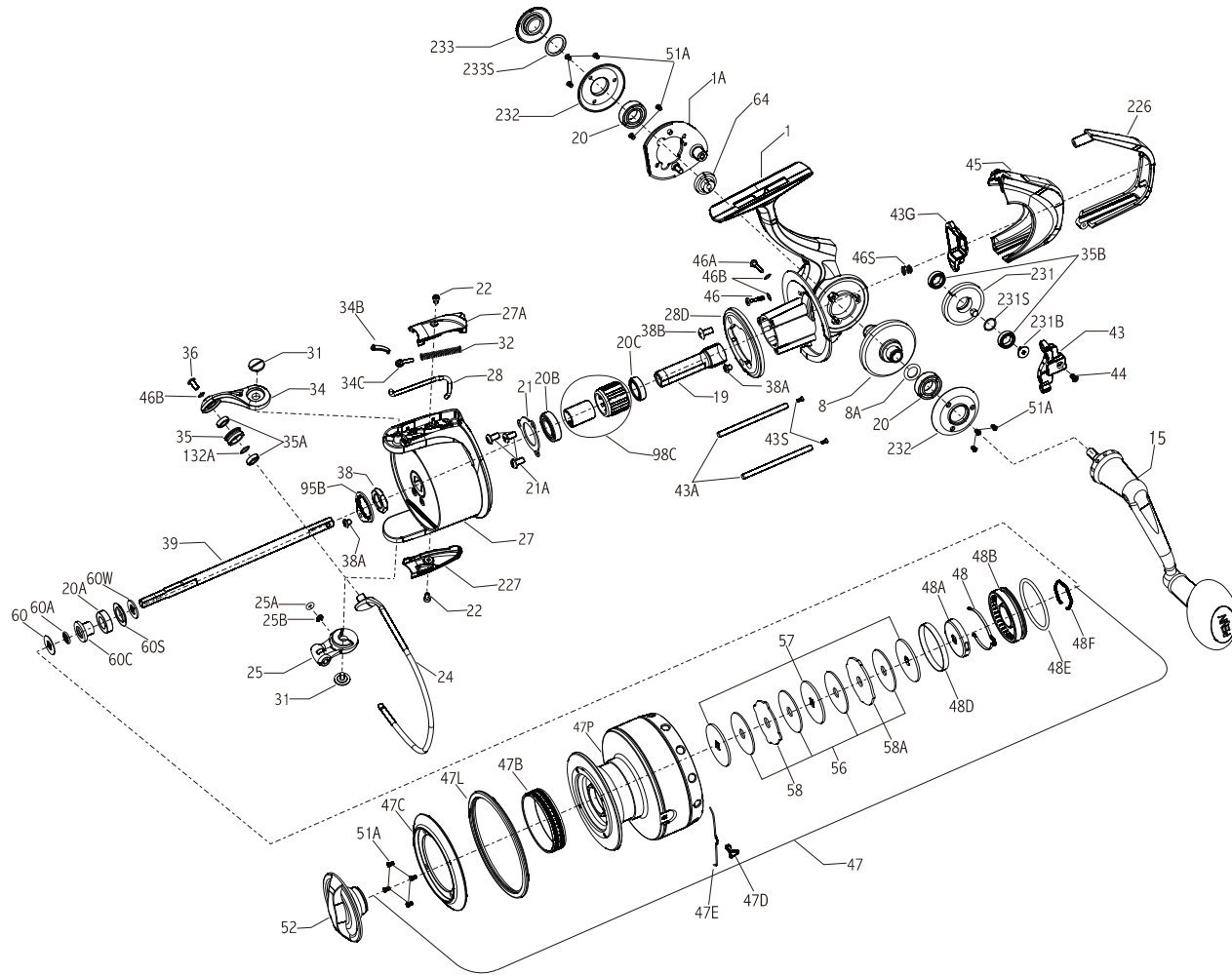


PENN PARTS LIST FOR MODEL 8000CQ



KEY NO.	PART NO.	DESCRIPTION
1	1211158	1-8000CQ Housing
1A	1211159	1A-8000CQ Housing Plate
8	1211160	8-8000CQ Main Gear
8A	1195562	8A-7000CQ Shim
15	1211161	15-8000CQ Handle Assembly
19	1191245	19-760 Pinion
20	1181789	20-6500 Ball Bearing (2 Req.)
20A	1195570	20A- 5000CQ Ball Bearing
20B	1211162	20B-8000CQ Ball Bearing
20C	1211163	20C-8000CQ Ball Bearing
21	1192640	21-760 Bearing Retainer
21A	1195572	21A-2000CQ Screw (3 Req.)
22	1195575	22-2000CQ Screw (2 Req.)
24	1211164	24-8000CQ Bail Wire
25	1211165	25-8000CQ Bail Cam
25A	1195591	25A-2000CQ O-Ring

KEY NO.	PART NO.	DESCRIPTION
25B	1195592	25B-2000CQ Clip
27	1211166	27-8000CQ Rotor
27A	1211167	27A-8000CQ Bail Pivot Cover
28	1211168	28-8000CQ Trip Lever
28D	1211169	28D-8000CQ Friction Ring
31	1195612	31-2000CQ Screw (2 Req.)
32	1211170	32-8000CQ Bail Spring
34	1211171	34-8000CQ Bail Arm
34B	1195618	34B-5000CQ Pivot Lever
34C	1195619	34C-2000CQ Pivot Arm
35	1195621	35-5000CQ Line Roller
35A	1195641	35A-2000CQ Ball Bearing (2 Req.)
35B	1211172	35B-8000CQ Ball Bearing (2 Req.)
36	1195642	36-2000CQ Screw
38	1183160	38-9500 Rotor Nut
38A	1184057	63A-2.5FR Screw (2 Req.)
38B	1222225	38B-8000CQ Screw
39	1211173	39-8000CQ Spool Shaft
43	1211174	43-8000CQ Crosswind Block
43A	1211175	43A-8000CQ Crosswind Block Pin (2 Req.)
43G	1211176	43G-8000CQ Pin Guide Block
43S	1211177	43S-8000CQ Screw (2 Req.)
44	1195659	44-2000CQ Screw
45	1211178	45-8000CQ Maintenance Hatch
46	1195664	46-2000CQ Screw
46A	1195666	46A-7000CQ Screw
46B	1222226	46B-2000CQ Washer(3 Req.)
46S	1195673	46S-2000CQ Spring
47	1211180	47-8000CQ Spool Assembly
47P	1211183	47P- 8000CQ Spool
47B	1195687	47B-7000CQ Spool Band
47C	1211185	47C-8000CQ Spool Lip Cover
47D	1195692	47D-2000CQ Line Clip
47E	1211186	47E-8000CQ Line Clip Spring
47L	1211187	47L-8000CQ Spool Lip
48	1195704	48-7000CQ Spool Click
48A	1211189	48A-8000CQ Spool Click Retainer
48B	1195711	48B-7000CQ Spool Click Housing
48D	1195715	48D-7000CQ Spacer Ring
48E	1195719	48E-7000CQ O-Ring
48F	1257394	48F-8000CQ Clip
51A	1195720	51A-2000CQ Screw (12 Req.)
52	1211190	52-8000CQ Drag Knob Assembly
56	1211191	56-8000CQ Drag (HT-100) Washer (4 Req.)
57	1211192	57-8000CQ Keyed Drag Washer (3 Req.)
58	1211193	58- 8000CQ Earred Drag Washer
58A	1211194	58A-8000CQ Earred Drag Washer
60	1211195	60-8000CQ Spacer Washer
60A	1211196	60A-8000CQ O-Ring
60C	1211197	60C-8000CQ Bearing Sleeve
60S	1195762	60S-7000CQ Seal
60W	1211198	60W-8000CQ Spool Shaft Washer
64	1211199	64-8000CQ Idler Gear
95B	1192187	95B- 950M Rotor Locking Plate
98C	1192218	98C- 760 Clutch/Sleeve Assembly
132A	1195778	132A-2000CQ Spacer
226	1211200	226-8000CQ Rear Cover
227	1211202	227- 8000CQ Cam Cover
231	1211203	231-8000CQ Crosswind Gear
231B	1211204	231B-8000CQ Screw
231S	1211213	231S-8000 Spacer
232	1211205	232-8000 CQ Bearing Retainer (2 Req.)
233	1211206	233-8000CQ Bearing Cover
233S	1257635	233S-2000CQ O-Ring