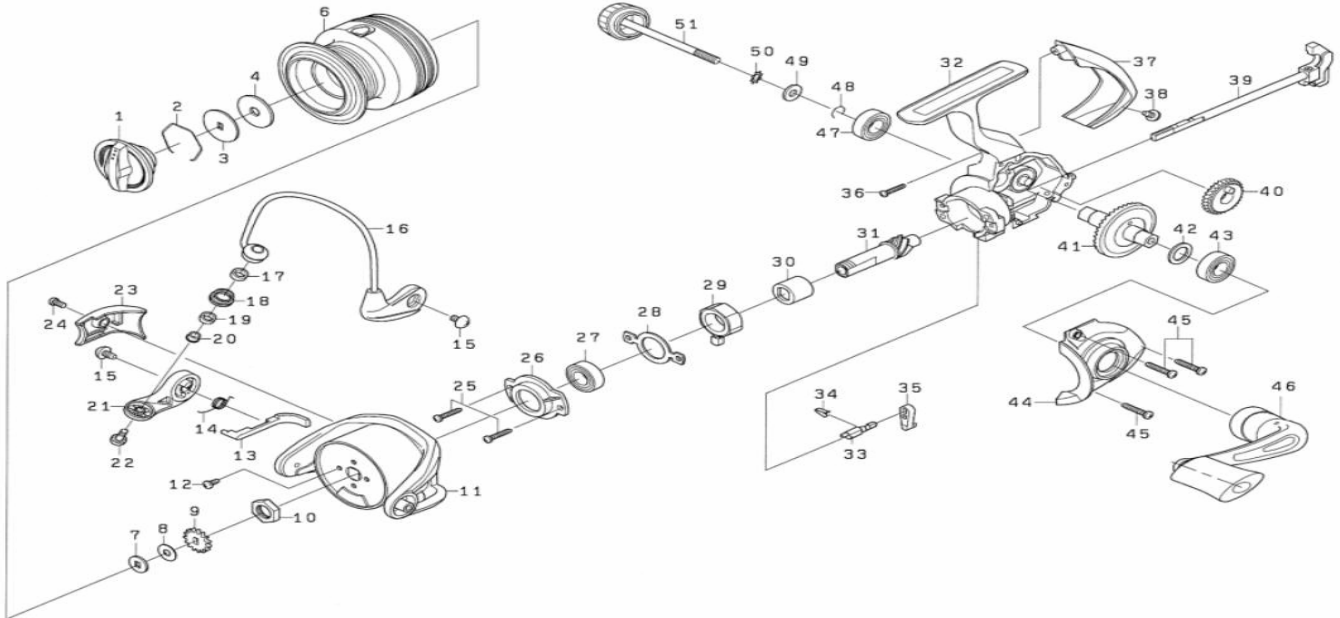


Please order by parts number, not key number
 Veuillez indiquer le numéro de la pièce (Non "Key" No.)



SPINNING REEL

CROSSFIRE 1000-3iB



Key No.	Parts No.	Parts Name	Key No.	Parts No.	Parts Name
1	H02-1701	Drag Knob	28	H16-1801	Clutch Cam Retainer
2	F37-3301	Drag Washer Retainer	29	G53-9201	Roller Clutch
3	E46-7201	Key Washer	30	F73-2502	Spacing Sleeve
4	E13-6001	Drag Washer	31	H16-1701	Pinion Gear
2-6	H23-5301	Spool Assembly	32	H23-5201	Body
7	E46-7101	Washer (A)	33	H16-1501	Anti-Reverse Cam
8	E39-8000	Washer (B)	34	G83-6401	Anti-Reverse Cam Spring
9	G83-9301	Click Gear	35	H01-8401	Anti-Reverse Lever
10	F33-6102	Rotor Nut	36	E11-9602	Screw (F)
11	H01-9810	Rotor	37	H16-4701	Rear Cover
12	G62-7701	Screw {A}	38	G27-0801	Screw (G)
13	H02-0001	Bail Trip Lever	39	H01-8601	Main Shaft
14	H01-9901	Bail Spring	40	H01-8501	Oscillating Gear
15	G20-5001	Screw (B)	41	H01-9401	Drive Gear
16	H02-0301	Bail Assembly	42	375-8500	Washer (C)
17	G87-4201	Collar (A)	43	G90-8001	Ball Bearing (B)
18	F62-5003	Line Roller	44	H16-4606	Side Cover
19	G87-4301	Collar (B)	45	F93-9701	Screw (H)
20	G15-2502	Collar (C)	46	H23-4901	Handle Assembly
21	H02-0101	Bail Arm	47	G90-8001	Ball Bearing (C)
22	G19-5602	Screw {C}	48	H01-9501	Bearing Retainer (B)
23	H02-0201	Cover	49	G86-3901	Washer (D)
24	G27-0801	Screw (D)	50	160-8101	Washer (E)
25	F93-9701	Screw (E)	51	H02-1001	Handle Screw
26	H16-1901	Bearing Retainer (A)	2-6	H23-5301	Extra Spool Assembly
27	G28-5801	Ball Bearing (A)			