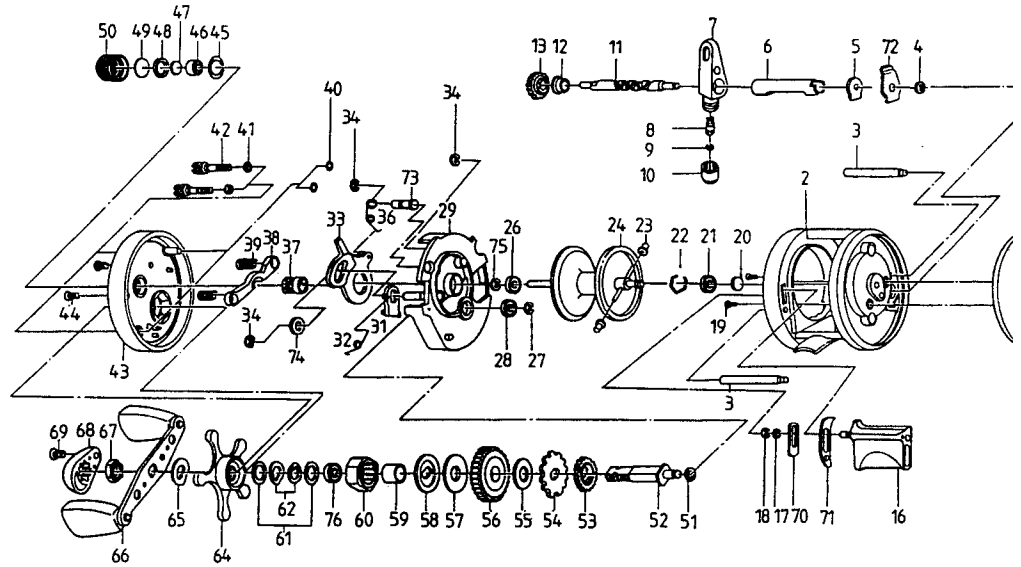


### SPECIFICATIONS :

- Med FW
- 150 yds / 12 lb Line Capacity
- 5.2:1 Gear Ratio
- 10.2 oz.
- 22 Inches Per Handle Turn
- Bearings:
  - CTI22L - 4 BB; 1 RB
  - LSR22L - 2 BB; 1 RB



### FEATURES :

- Continuous Anti-Reverse
- One Piece Aluminum Frame
- Thumb Bar Spool Release
- Right Hand Retrieve
- Externally Adjustable Centrifugal Brake System
- Color :
  - CTI22 - Bright Silver
  - LSR22 - Dark Brown

Key No.	Part No.	DESCRIPTION	Price	Key No.	Part No.	DESCRIPTION	
1	UV023-01	Palm Side Cover		39	TV040-01	Pinion Yoke Spring	
2	UV301-01	Frame Assembly		40	TV073-01	Thumb Screw O-Ring	
3	TV061-01	Line Guide Carrier Guide Pin		41	TV035-01	Thumb Screw Washer	
4	NX092-01	E-Clip		42	TV074-01	Thumb Screw	
5	TV067-01	Worm Shaft Bushing - Palm Side		43	UV324-01	Gear Side Cover Assembly	
6	TV016-01	Worm Shaft Guide		44	TV053-01	Gear Side Cover Screw	
7	TV347-01	Line Guide Carrier Assembly		45	QW101-01	Tension Knob O-Ring	
8	ZW006-01	Line Guide Pawl		46	SW117-01	Tension Knob Ball Bearing	
9	BV035-04	Line Guide Pawl Washer		47	QW032-04	Spool Tension Washer	
10	TV007-01	Line Guide Carrier Screw		48	QW081-01	Spool Tension collar	
11	TV072-01	Worm Shaft		49	QW082-01	Spool Cushion Washer	
12	TV068-01	Worm Shaft Bushing - Gear Side		50	TV033-01	Spool Tension Knob	
13	ZW085-01	Level Wind Gear		51	TV032-01	Crank Shaft Spacing Washer	
14	NX090-01	E-Clip		52	TV008-02	Crank Shaft	
15	TV061-01	Thumb Bar Retaining Pin		53	ZW112-01	O/S Drive Gear	
16	UV009-01	Thumb Bar		54	TV083-01	Trip Ratchet	
17	QW035-02	Thumb Bar Pin Washer		55	QW111-01	Ratchet Washer	
18	NX090-01	E-Clip		56	TV012-02	Drive Gear	
19	TV053-01	Palm Side Cover Screw		57	TV059-01	Drag Disc	
20	QW032-04	Spool Shaft Washer		58	TV045-01	Drag "D" Washer	
21	UV017-01	Spool Shaft Bearing - Palm Side		59	ZW052-01	One Way Bearing Sleeve	
22	N/A	Spool Shaft Bushing - Palm Side		60	ZW063-01	One Way Bearing	
23	QW080-01	Clip Ring		61	TV038-01	Crank Shaft Washer	
24	TV044-01	Brake Shoe		62	QW046-02	Spring "D" Washer	
26	TV321-02	Spool Assembly		64	TV355-02	Star Drag Assembly	
27	QW017-01	Spool Shaft Bushing - Gear Side		65	QW054-01	Handle Washer	
28	QW120-01	E-Clip		66	TV318-01	Handle Assembly	
29	SW017-01	N / A		67	QW003-02	Handle Nut	
30	N / A	QW017-01		68	QW034-03	QW034-05	Handle Nut Cap
31	UV010-01	Set Plate		69	QW123-01	Handle Nut Cap Screw	
32	UV077-01	Kick Lever		70	TV140-01	Thumb Bar Retaining Plate	
33	UV097-01	Kick Lever Spring		71	UV056-01	UV056-02	Thumb Bar Guide
34	UV039-01	Release Slider		72	TV141-01	Worm Shaft Retainer	
35	QW120-01	E-Clip		73	TV103-01	Release Slider Spring Post	
36	UV104-01	Release Slider Spring		74	TV121-01	Release Slider Washer	
37	TV311-02	Pinion Gear Assembly		75	QW120-01	E-Clip	
38	UV025-01	Pinion Yoke		76	TW058-01	Crank Shaft Bearing - Upper	

<b>MODEL</b>	<b>EFFECTIVE DATE OF</b>	<b>DISCONTINUED :</b>
<b>INTRODUCED : 1998</b>	<b>PARTS LIST/DIAGRAM: July '98</b>	<b>N / A</b>

Prices subject to change without notice. Prices do not include postage and handling.

PLEASE ORDER BY PART NUMBER

7455 S.O. Box 370 Tulsa, Ok 74101 918-831-6965 Phone or 800-FIXREEL (349-7335) FAX