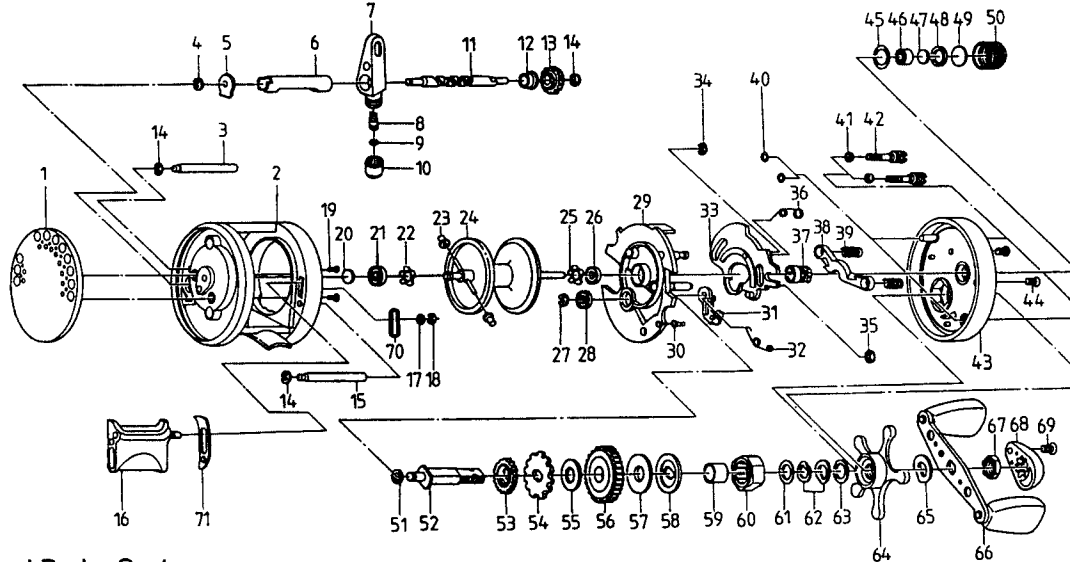


**SPECIFICATIONS :**

Med FW  
 150 yds / 12 lb Line Capacity  
 5.2:1 Gear Ratio  
 10.2 oz.  
 22 Inches Per Handle Turn  
 Bearings:  
 CTI22 - 4 BB; 1 RB  
 LSR22 - 2 BB; 1 RB



**FEATURES :**

Continuous Anti-Reverse  
 One Piece Aluminum Frame  
 Thumb Bar Spool Release  
 Right Hand Retrieve  
 Externally Adjustable Centrifugal Brake System  
 Color :

CTI22 - Bright Silver  
 LSR22 - Dark Brown

Key No.	Part No.	DESCRIPTION	Price	Key No.	Part No.	DESCRIPTION
1	CTI22 TV023-01	LSR22 TV023-02		36	TV104-01	Release Slider Spring
2	TV301-01	TV301-02		37	TV311-01	Pinion Gear Assembly
3	TV061-01	↔↔↔		38	TV025-01	Pinion Yoke
4	NX092-01	↔↔↔		39	TV040-01	Pinion Yoke Spring
5	TV067-01	↔↔↔		40	TV073-01	Thumb Screw O-Ring
6	TV016-01	↔↔↔		41	TV035-01	Thumb Screw Washer
7	TV347-01	↔↔↔		42	TV074-01	Thumb Screw
8	ZW006-01	↔↔↔		43	TV324-01	Gear Side Cover Assembly
9	BV035-04	↔↔↔		44	TV053-01	Gear Side Cover Screw
10	TV007-01	↔↔↔		45	QW101-01	Tension Knob O-Ring
11	TV072-01	↔↔↔		46	SW117-01	Tension Knob Ball Bearing
12	TV068-01	↔↔↔		47	QW032-04	Spool Tension Washer
13	ZW085-01	↔↔↔		48	QW081-01	Spool Tension collar
14	NX090-01	↔↔↔		49	QW082-01	Spool Cushion Washer
15	TV061-01	↔↔↔		50	TV033-01	Spool Tension Knob
16	TV009-01	TV009-02		51	TV032-01	Crank Shaft Spacing Washer
17	QW035-02	↔↔↔		52	TV008-01	Crank Shaft
18	NX090-01	↔↔↔		53	ZW112-01	O/S Drive Gear
19	TV053-01	↔↔↔		54	TV083-01	Trip Ratchet
20	QW032-04	↔↔↔		55	QW111-01	Ratchet Washer
21	UW017-01	↔↔↔		56	TV012-01	Drive Gear
22	TV080-01	↔↔↔		57	TV059-01	Drag Disc
23	TV044-01	↔↔↔		58	TV045-01	Drag "D" Washer
24	TV321-01	TV321-03		59	ZW052-01	One Way Bearing Sleeve
25	TV080-01	↔↔↔		60	ZW063-01	One Way Bearing
26	SW017-01	N / A		61	TV038-01	Crank Shaft Washer
27	N / A	QW017-01		62	QW046-02	Spring "D" Washer
28	QW120-01	↔↔↔		63	TV038-01	Star Drag Washer
29	SW017-01	N / A		64	TV355-01	Star Drag Assembly
30	N / A	QW017-01		65	QW054-01	Handle Washer
31	TV010-01	↔↔↔		66	TV318-01	UV318-01 Handle Assembly
32	TV041-01	↔↔↔		67	QW003-01	Handle Nut
33	TV077-01	↔↔↔		68	QW034-03	QW034-05 Handle Nut Cap
34	TV097-01	↔↔↔		69	QW123-01	↔↔↔ Handle Nut Cap Screw
35	TV039-01	↔↔↔		70	TV140-01	↔↔↔ Thumb Bar Retaining Plate
36	QW120-01	↔↔↔		71	TV056-01	TV056-02 Thumb Bar Guide
37	QW120-01	↔↔↔				

<b>MODEL INTRODUCED :</b> 1998	<b>EFFECTIVE DATE OF PARTS LIST/DIAGRAM:</b> July '98	<b>DISCONTINUED :</b> N / A
--------------------------------	---	-----------------------------

Prices subject to change without notice. Prices do not include postage and handling.  
 PLEASE ORDER BY PART NUMBER Zebco, P.O. Box 270, Tulsa, Ok. 74101; 918-831-6965 Phone or 800-FIXREEL (349-7335) FAX