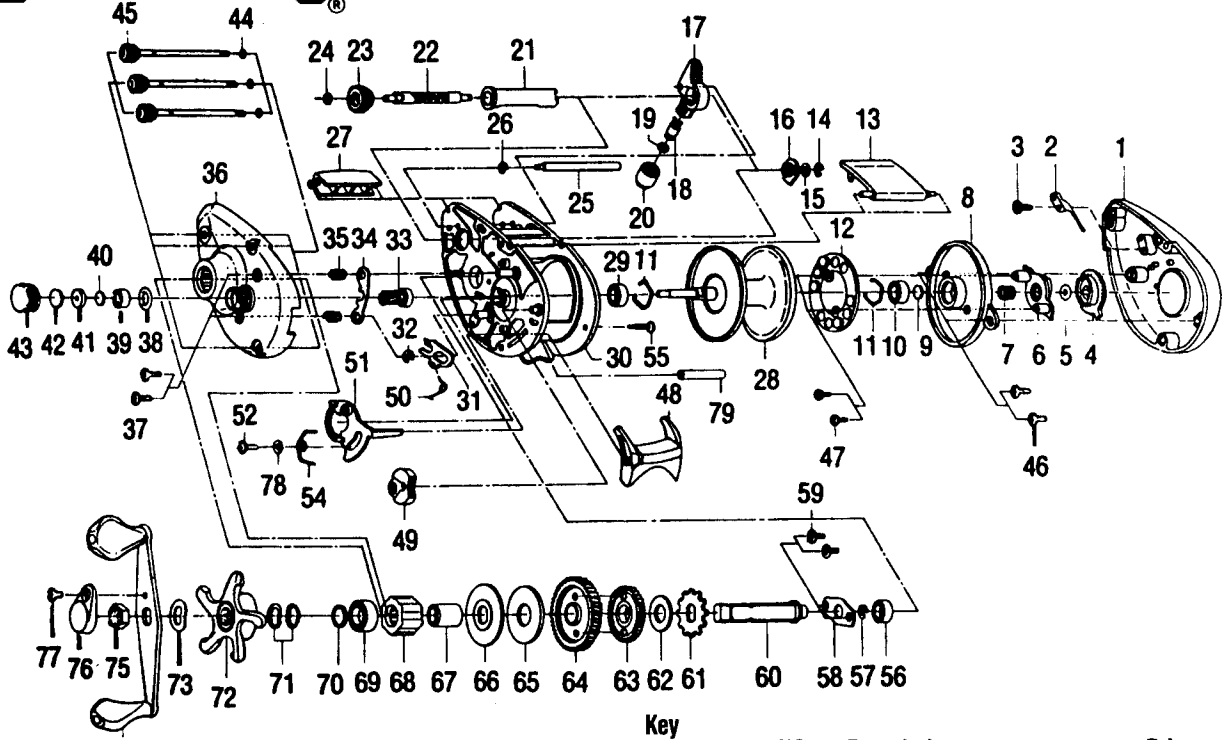


BROWNING® A661



Key No.	Part No.	Description	Price	Key No.	Part NO.	Description	Price
1	VW024-04	SIDE COVER	7.36	39	QW117-01	BEARING	0.41
2	QW108-01	CLICKER	0.26	40	QW032-01	WASHER - SPOOL TENSION	0.26
3	QW125-01	SCREW - CLICKER	0.26	41	QW081-01	COLLAR	0.15
4	QW026-01	MAGNET CONTROL DIAL	1.03	42	QW082-01	CUSHION WASHER - SPOOL	0.21
5	NX105-01	DIAL FRICTION RING	0.26	43	QW033-01	SPOOL TENSION KNOB	2.47
6	QW028-01	SLIDE CAM	0.31	44	QW073-01	RING - THUMB SCREW RET.	0.31
7	NX071-01	SLIDE CAM SPRING	0.26	45	QW374-01	THUMB SCREW	3.40
8	QW051-01	SPOOL COVER	1.13	46	QW125-01	SCREW - SPOOL COVER	0.26
9	QW032-01	SPOOL TENSION SHIM	0.26	47	QW076-01	SCREW - MAGNET RING	0.21
10	SW017-01	BEARING	0.41	48	TW009-01	THUMB BAR	0.67
11	QW080-01	CLIP RING	0.26	49	XW087-01	FLIPPIN SWITCH	0.67
12	QW330-01	MAGNET PLATE ASSY.	3.35	50	XW097-01	SPRING - KICK LEVER	0.46
13	QW027-11	HOOD	2.47	51	XW039-01	RELEASE SLIDER	1.91
14	NX092-01	E-CLIP (WORM SHAFT)	0.15	52	QW076-01	SCREW - RELEASE SLIDER	0.21
15	QW035-03	WASHER (WORM SHAFT)	0.15	54	XW104-01	SPRING - RELEASE SLIDER	0.26
16	QW067-01	WORM SHAFT BUSHING	0.21	55	SW050-01	THUMB BAR RETAINING SCREW	0.21
17	QW347-01	LINE GUIDE CARRIER	3.19	56	QW017-01	BEARING - CRANKSHAFT	0.41
18	QW006-01	LINE GUIDE PAWL	3.19	57	QW120-01	E-RING - CRANKSHAFT	0.15
19	QW035-03	WASHER (L/G PAWL)	0.15	58	QW002-01	RETAINER - CRANKSHAFT	0.36
20	QW007-01	LINE GUIDE CARRIER SCREW	0.88	59	QW107-01	SCREW - CRANKSHAFT RETAINER	0.15
21	QW016-01	WORM SHAFT GUIDE	0.72	60	QW008-02	CRANKSHAFT	2.37
22	QW072-01	WORM SHAFT	5.10	61	QW083-01	TRIP RATCHET	0.62
23	QW085-01	LEVEL WIND GEAR	0.57	62	QW111-01	WASHER	0.15
24	NX090-01	E-RING (L/W GEAR)	0.15	63	QW112-01	GEAR - L/W IDLER	0.57
25	QW061-01	STABILIZER BAR	1.03	64	SW012-01	DRIVE GEAR	10.66
26	NX090-01	E-RING (STABILIZER BAR)	0.15	65	QW059-01	DRAG DISC	1.34
27	QW099-11	FRONT SUPPORT	2.88	66	QW045-01	DRAG WASHER	0.36
28	QW321-02	SPOOL ASSY.	19.00	67	QW052-01	CLUTCH SLEEVE	2.21
29	SW017-01	BEARING	6.59	66	QW063-01	ANTI-REVERSE CLUTCH	14.57
30	XW001-03	FRAME	5.72	69	TW058-01	BEARING - CRANKSHAFT TOP	6.13
31	SW077-02	KICK LEVER	0.41	70	TW035-02	WASHER - CRANKSHAFT	0.15
32	QW120-01	E-RING (KICK LEVER)	0.15	71	QW046-02	SPRING D WASHER	0.98
33	SW311-02	PINION GEAR	8.14	72	RW055-02	DRAG STAR	1.91
34	XW025-01	PINION YOKE	0.67	73	QW054-01	HANDLE WASHER	0.36
35	QW040-01	SPRING-PINION YOKE	0.21	74	RW318-02	HANDLE ASSY.	8.81
36	XW023-07	SIDE COVER	5.61	73	QW003-02	HANDLE NUT	1.13
37	QW053-01	SCREW (RT. SIDE COVER)	0.21	76	QW034-02	HANDLE NUT CAP	0.67
38	QW101-01	TENSION KNOB RING	0.31	77	QW123-01	HANDLE NUT CAP SCREW	0.21
				78	SW121-01	WASHER - RELEASE SLIDER	0.15
				79	XW094-01	SPACER	4.43

Prices subject to change without notice. Prices do not include postage and handling.

PLEASE ORDER BY PART NUMBER

Rev. 6/94

Zebco Division Brunswick Corporation, Box 270, Tulsa, OK 74101 USA 918-836-5581

