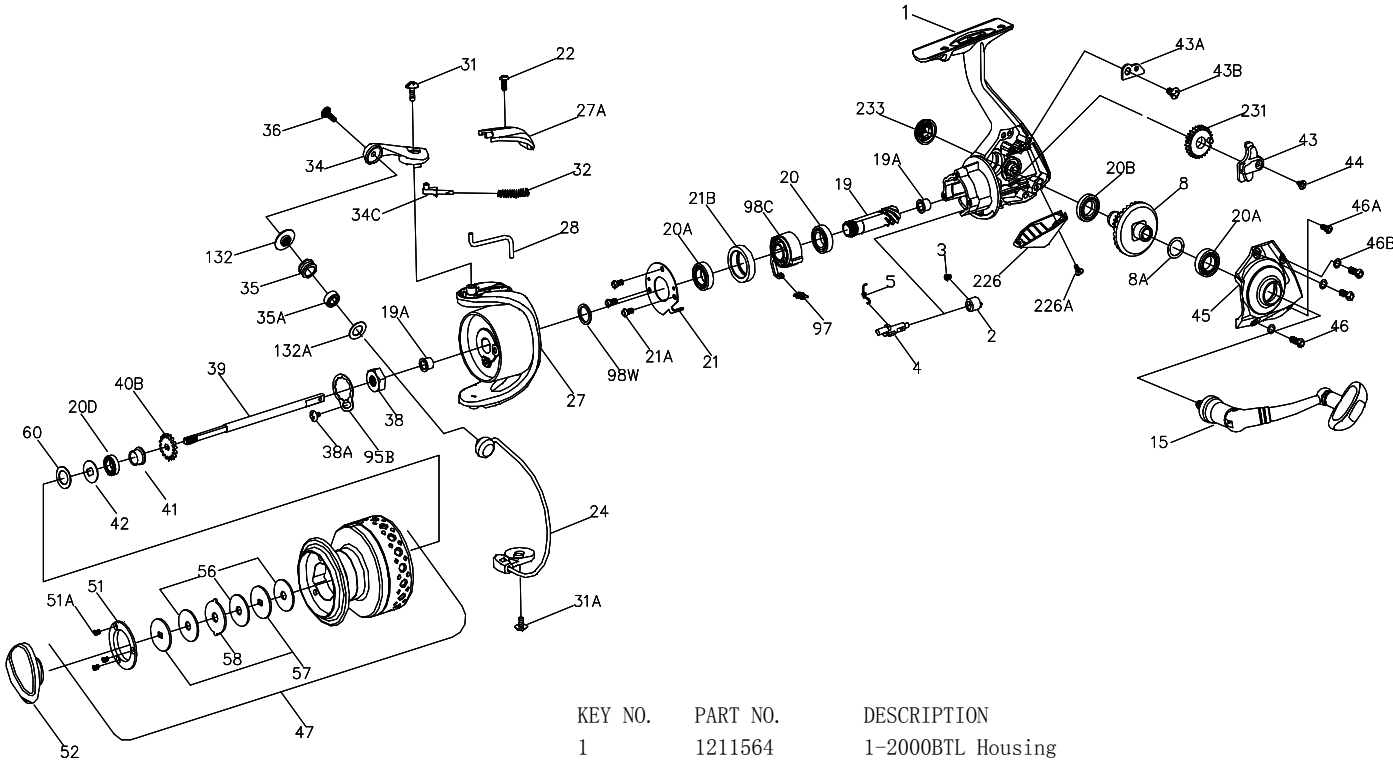




PARTS LIST FOR MODEL BTL2000
REEL PART NO.1206104



KEY NO.	PART NO.	DESCRIPTION
24	1211569	24-2000BTL Bail Wire Assembly
27	1211570	27-2000BTL Rotor
27A	1191441	27A-2000SG Bail Pivot Cover
28	1191477	28-2000SG Trip Lever
31	1191566	31-2000SG Bail Arm Screw
31A	1191574	31A-3000SG Bail Cam Screw
32	1211571	32-2000BTL Bail Spring
34	1191625	34-2000SG Bail Arm
34C	1191648	34C-2000SG Pivot Arm
35	1211572	35-3000BTL Line Roller
35A	1191682	35A-2000SG Line Roller Bearing
36	1192661	22-5000SG Bail Pivot Cover Screw
38	1191727	38-2000SG Rotor Nut
38A	1191734	38A-3000SG Rotor Locking Plate Screw
39	1191743	39-2000SG Spool Shaft
40B	1191778	40B-2000SG Click Ratchet
41	1211573	41-2000BTL Spool Bushing
42	1211574	42-2000BTL Spool Shaft Washer
43	1191797	43-2000SG Crosswind Block
43A	1191817	43A-2000SG Crosswind Block Plate
43B	1191826	43B-3000SG Crosswind Block Plate Screw
44	1191843	44-3000SG Crosswind Block Screw
45	1211576	45-2000BTL Housing Cover
46	1191901	46-3000SG Housing Cover Screw (3 req)
46A	1191906	46A-3000SG Housing Cover Screw A
46B	1191907	46B-3000SG Housing Cover Washer (3 req)
47	1211577	47-2000BTL Spool Assembly
51	1211578	51-2000BTL Retaining Spacer
51A	1191986	51A-3000SG Retaining Screw (3 req)
52	1211579	52-2000BTL Drag Knob Assembly
56	1211580	56-2000BTL Drag Washer (3 req)
57	1192041	57-2000SG Keyed Washer (2 req)
58	1241657	58-2000BTL Earred Washer
60	1211581	60-2000BTL Thrust Washer
95B	1192185	95B-3000SG Rotor Locking Plate
97	1192189	97-2000SG Clutch Spring
98C	1192211	98C-2000SG Clutch/Sleeve Assembly
98W	1192228	98W-2000SG Clutch Washer
132	1211582	132-3000BTL Roller Washer
132A	1192301	132A-2000SG Line Roller Washer
226	1211583	226-2000BTL Rear Cover
226A	1192473	226A-3000SG Rear Cover Screw
231	1192496	231-2000SG Crosswind Gear
233	1211584	233-2000BTL Bearing Cover Assembly

KEY NO.	PART NO.	DESCRIPTION
1	1211564	1-2000BTL Housing
2	1190889	2-2000SG A/R Lever
3	1190922	3-2000SG A/R Lever Screw
4	1190935	4-2000SG A/R Shaft
5	1190960	5-2000SG A/R Spring
8	1191017	8-3000SG Main Gear
8A	1191028	8A-3000SG Shim
15	1211565	15-2000BTL Handle Assembly
19	1191227	19-2000SG Pinion
19A	1211566	19A-2000BTL Pinion Bushing (2 req)
20	1192610	20-2000SG Lower Pinion Ball Bearing
20A	1192616	20A-2000SG Ball Bearing (2 req)
20B	1192619	20B-3000SG Housing Ball Bearing
20D	1211567	20D-2000BTL Spool Bearing
21	1192629	21-2000SG Bearing Retainer
21A	1192644	21A-3000SG Bearing Retainer Screw (3 req)
21B	1192646	21B-2000SG Collar
22	1192658	22-2000SG Bail Pivot Cover Screw