

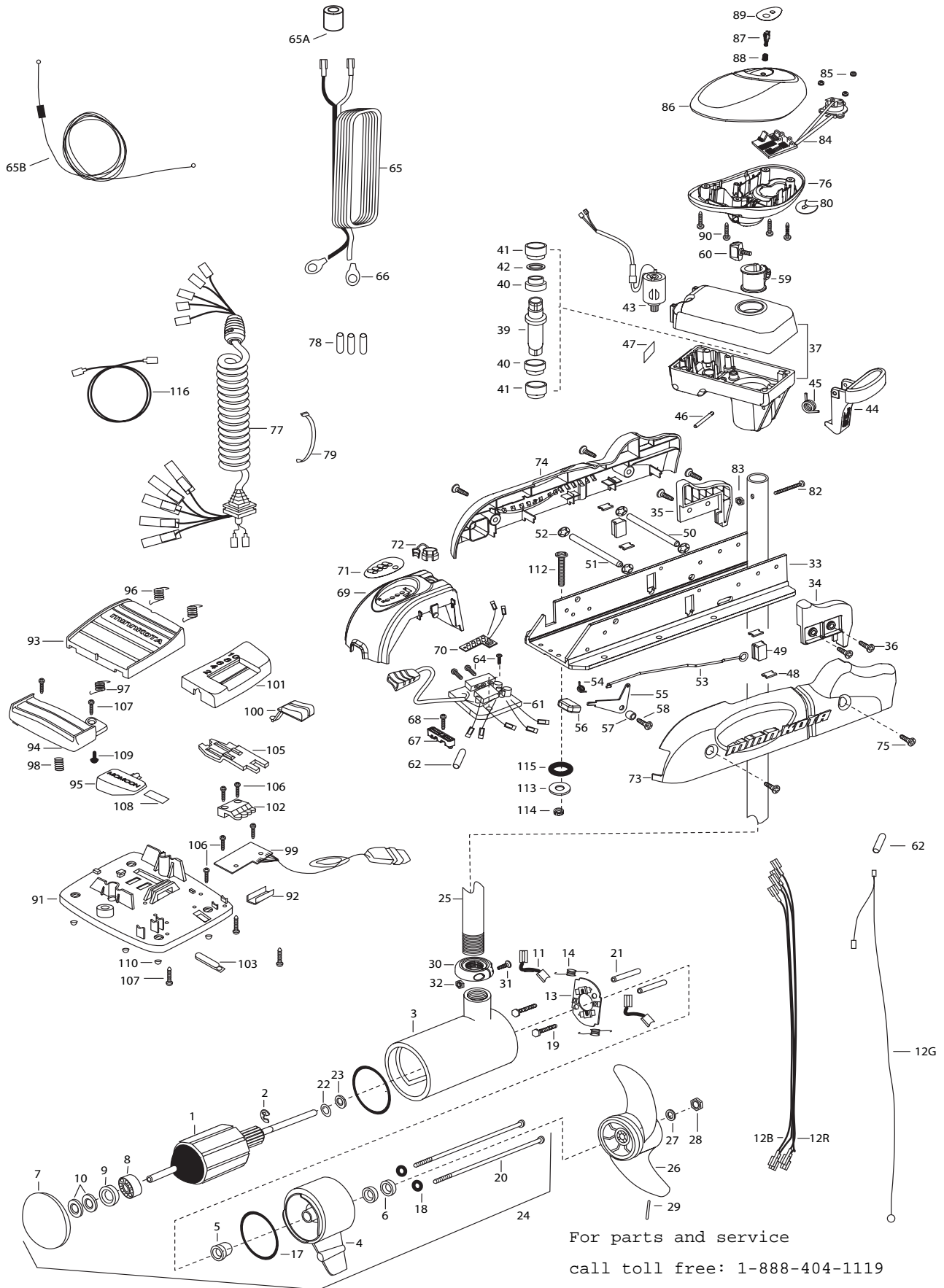
80AP  
80LBS THRUST  
24 VOLT 56 AMPS  
54" OR 60" SHAFT

for use with "AH" serial numbers  
3-year warranty from the date of purchase

For parts and service

call toll free: 1-888-404-1119

www.mikesreelrepair.com



For parts and service  
call toll free: 1-888-404-1119  
www.mikesreelrepair.com

For parts and service

call toll free: 1-888-404-1119

www.mikesreelrepair.com

1	2-100-214	ARMATURE ASSEMBLY 24V 4"	35	2303938	MOTOR REST- LEFT 4"	75	2303430	SCREW-1/4-20 X 5/8- [4.EA]	*115	2301720	WASHER-MOUNTING RUBBER [6.EA]
2	788-040	RETAINING RING	36	2303430	SCREW 1/4-20X5/8 SELF TAP [4.EA]	76	2772515	CONTROL BOX / DECAL ASSEMBLY	116	2211405	EXTENSION CABLE- SONAR
3	2-200-110	CENTER HOUSING ASSEMBLY 4.0 TXT	37	2991835	DRIVE HOUSING PD/AP 2001	77	2991285	COIL CORD W/STRAIN RELIEF 48, 54"			
	2-200-170	CENTER HOUSING ASSEMBLY 4.0- SONAR	■	2882011	BUSHING/ OUTSHAFT KIT		2991287	COIL CORD W/STRAIN RELIEF 60"			
4	2-300-160	BRUSH END HOUSING ASSEMBLY			(INCLUDES 39-42)	78	2065400	WIRE INSULATOR-LGE 1-3/4 [3.EA]			
5	144-017	BEARING- FLANGE (SERVICE ONLY)	*39	2302010	DRIVE HOUSING OUTPUT SHAFT	79	9950433	TIE WRAP-4" BLACK			
6	880-025	SEAL [2.EA]	*40	2307304	BUSHING- INNER [2.EA]	80	2224702	INSERT- PLUG			
7	421-276	PLAIN END HOUSING ASSEMBLY	*41	2307305	BUSHING- OUTER [2.EA]		2224700	INSERT - PLUG SONAR			
	9421-274	PLAIN END HOUSING ASSEMBLY SONAR	*42	2304603	O-RING	82	2332102	SCREW-10-24 X 1-3/4			
8	140-010	BALL BEARING	43	2307050	MOTOR- DRIVE HOUSING HIGH SPD	83	2333101	NUT-HEX 10-24 NYLOC			
9	990-045	THRUST SPACER	44	2307215	LATCH HANDLE PD/AP	84	2994014	CNTRL BRD/COMPSS ASSMBLY-AUTOPILOT			
10	992-010	SPRING WASHER [2.EA]	45	2302750	SPRING- LATCH TORSION PD/AP	85	2302960	GROMMET-COMPASS [3.EA]			
11	186-094	BRUSH [2.EA]	46	2302625	ROLL PIN 3/16 X 2"	86	2300235	CONTROL BOX COVER			
12B	640-024	LEADWIRE-BLACK 10 AWG 79"	47	2305515	DECAL-STOW/DEPLOY	87	2304082	ACTUATOR- SWITCH ON/OFF A/P			
12R	640-131	LEADWIRE-RED 10 AWG 80 1/2"	48	2305110	PAD-PIVOT SUPT [4.EA]	88	2302752	SPRING- ACTUATOR PD/AP SS			
12G	640-306	GROUND WIRE 54"	49	2305103	PIVOT PAD [2.EA]	89	2305678	DECAL- COVER ON/OFF 80PD/AP			
	640-307	GROUND WIRE 60"	50	2300500	PIN/LATCH		2305679	DECAL- COVER ON/OFF 80 PD/APIUS			
13	738-040	BRUSH PLATE 4"	51	2300510	PIN-PIVOT	90	2372100	SCREW-8-18 X 5/8 [5.EA]			
14	975-041	SPRING- TORSION [2.EA]	52	2013100	NUT-SPEED [4.EA]	■	2774700	FOOT PEDAL ASSEMBLY			
17	701-009	O-RING —THRU BOLT [2.EA]	53	2303612	ROD-RELEASE RT/AP SS	91	2304511	FOOT PEDAL BASE			
18	701-043	O-RING [2.EA]	54	2302700	SPRING-RELEASE LEVER	92	2308500	WEAR PLATE FOOT PDL			
19	830-027	SCREW -SELF THREAD 10-32X2 [2.EA]	55	2303710	LEVER-RELEASE	93	2304516	FOOT PEDAL-UPPER			
20	830-094	THRU BOLT 12-24X10.31 [2.EA]	56	2300101	RELEASE-KNOB	94	2304520	FOOT PEDAL-LOWER			
21	973-025	SPACER- BRUSH PLATE [2.EA]	57	2301700	SPACER-RELEASE LEVER	95	2307210	LEVER MOM/CON-			
22	990-051	WASHER- STEEL	58	2303430	SCREW-1/4-20 X 5/8	96	2302730	SPRING-LONG-UPPER PEDAL [2.EA]			
23	990-052	WASHER- NYLATRON	59	2031522	COLLAR- DRIVE (W/INSERT)	97	2302731	SPRING-SHORT-UPPER PEDAL			
24	2316217	MOTOR ASSEMBLY 24V 4" VARS 54"	60	2011365	SCREW-COLLAR/NEW KNOB	98	2302732	SPRING-LOWER PEDAL			
	2316229	MOTOR ASSEMBLY 24V 4" VARS 60"	61	2304045	CTRL BOARD ASSEMBLY-24V PD/AP	99	2304012	CONTROL BOARD ASSEMBLY-FT PDL			
	2326213	MOTOR ASSEMBLY-SONAR 24V VARS 54"	62	2355410	SHRINK TUBE-1/2 ODX2 [2EA]	100	2300120	KNOB-SPEED SELECTOR			
	2326218	MOTOR ASSEMBLY-SONAR 24V VARS 60"	64	2332100	SCREW-8-32 X 3/8 [3.EA]	101	2300121	HOUSING SPEED SELECTOR			
25	2032078	TUBE- COMPOSITE 54"	65	2090651	LEADWIRE IOGA	102	2302840	ACTUATOR-BOARD			
	2032079	TUBE- COMPOSITE 60"	65A	2307310	BEAD - FERRITE [2 EA] (CE MODELS ONLY)	103	2302841	ACTUATOR-MOM/CON			
■	1378132	PROPELLER KIT	65B	2060310	FUSED GROUND WIRE	105	2302842	ACTUATOR-STEERING			
26	2331160	PROPELLER W/WEDGE 2	66	2020700	TERMINAL RING [2.EA]	106	2302100	SCREW-6-20 X 1/2 [5.EA]			
27	2091701	WASHER-5/16 SS	67	2222906	STRAIN RELIEF- BRACKET PD/AP	107	2372100	SCREW-8-18 X 5/8 [5.EA]			
28	2093101	NUT-PROP NYLOC	68	2303430	SCREW-1/4-20 X 5/8	108	2266610	DECAL-ON/OFF SWITCH			
29	2262658	PIN-DRIVE	69	2306555	HOUSING- CENTER PD/AP	109	2335130	BUMPER ACTUATOR			
30	2301545	COLLAR- LATCH PD/AP	70	2034026	BATTERY GAUGE - 24 VOLT	110	2994807	BAG ASSEMBLY- 4 RUBBER BUMPERS			
31	2303434	SCREW- 8-32X5/8 MACH PHCR	71	2306609	DECAL, BATTERY GAUGE	■	2994803	BAG ASSEMBLY- (BOLT,NUT,WASHERS)			
32	2303112	NUT 8-32 NYLOC SS	72	2302935	STRAIN RELIEF-DR. HOUSING	*112	2153501	BOLT-MOUNTING-3500 W/STG [4.EA]			
33	2301932	EXTRUSION- BASE MACHINED	73	2303941	SIDEPLATE (RIGHT)	*113	2151726	WASHER-5/16 [4.EA]			
34	2303933	MOTOR REST- RIGHT 4"	74	2303946	SIDEPLATE(LEFT)	*114	2153100	NUT-5/16-18 MOUNTING [4.EA]			

Seal & O-Ring Kit p/n 2889460 \* This item is part of an assembly. This item cannot be sold separately due to machining and /or assembly that is required.

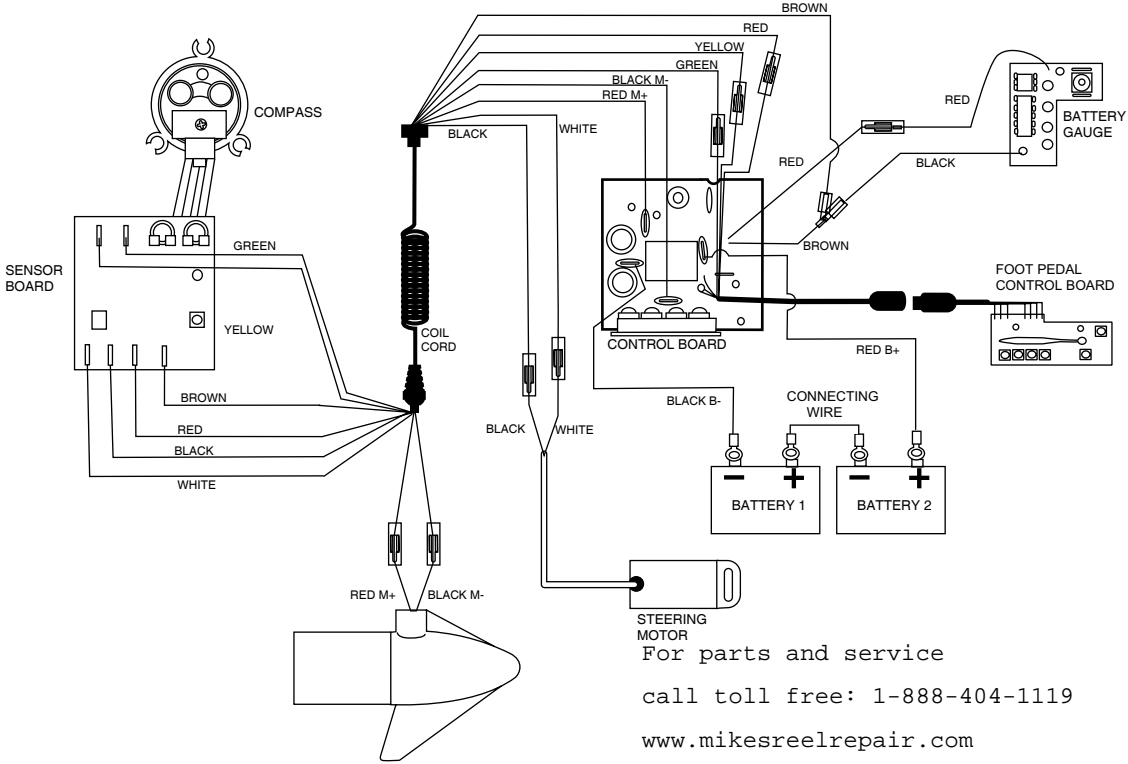
P/N 2304915

REV. G 2-06

For parts and service

call toll free: 1-888-404-1119

www.mikesreelrepair.com



For parts and service  
 call toll free: 1-888-404-1119  
[www.mikesreelrepair.com](http://www.mikesreelrepair.com)