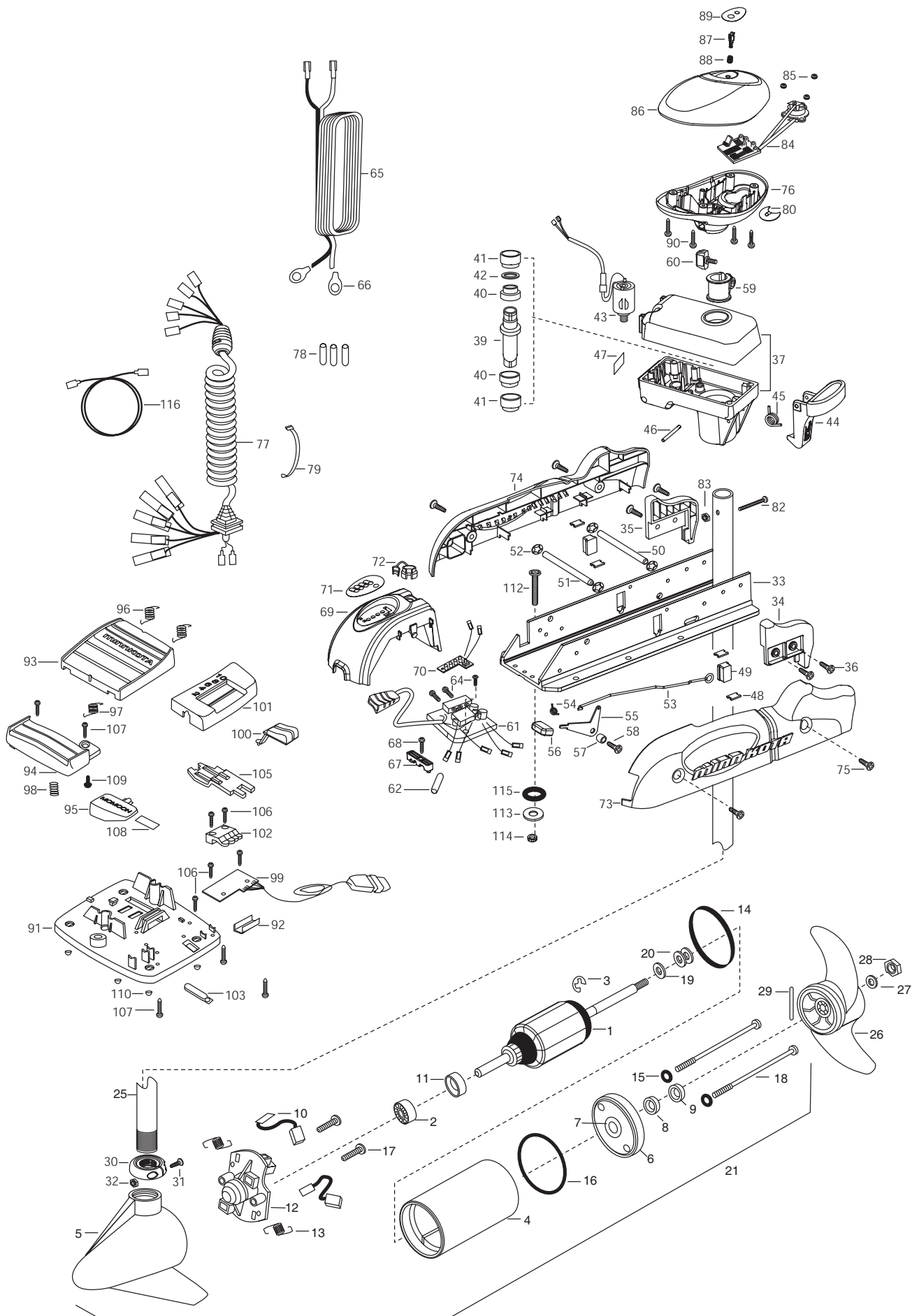


65PD/AP (& SONAR)
65 LBS THRUST
24 VOLT 38 AMPS
54" OR 60" SHAFT

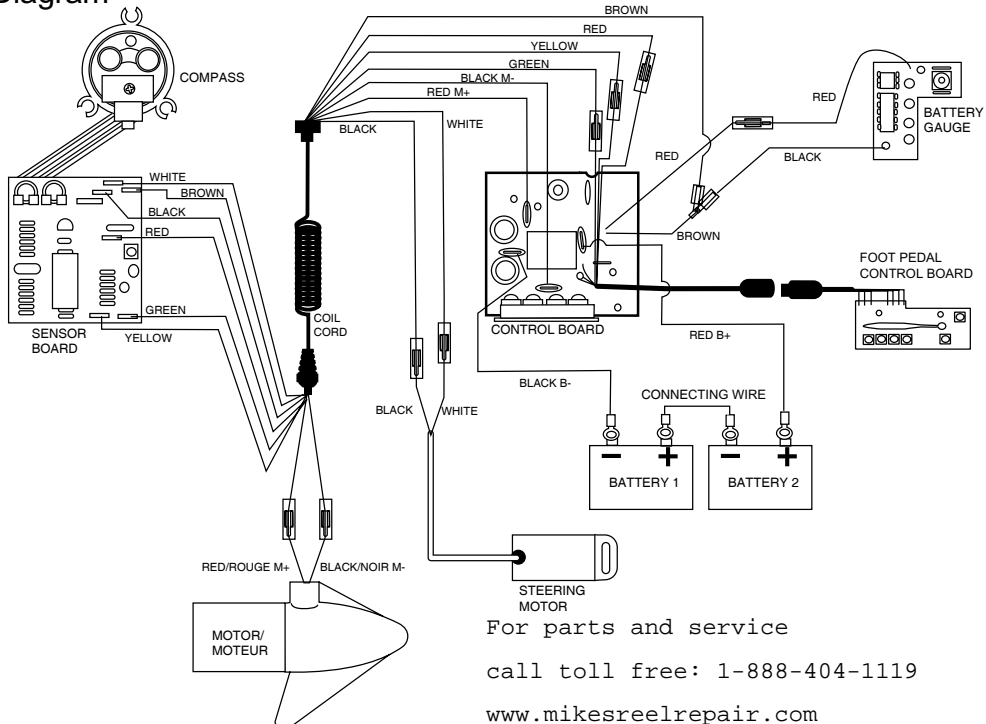
For parts and service
call toll free: 1-888-404-1119
www.mikesreelrepair.com



For parts and service
call toll free: 1-888-404-1119
www.mikesreelrepair.com

1	92-100-009	ARMATURE ASSEMBLY	*39	2302010	DRIVE HOUSING OUTPUT SHAFT	78	2065400	WIRE INSULATOR-LGE 1-3/4 [3.EA]
2	140-010	BALL BEARING	*40	2307304	BUSHING- INNER [2.EA]	79	9950433	TIE WRAP-4" BLACK
3	788-015	RETAINING RING	*41	2307305	BUSHING- OUTER [2.EA]	80	2224700	INSERT- PLUG
4	431-005	CENTER HOUSING ASSEMBLY	*42	2304603	O-RING	82	2332102	SCREW-10-24 X 1-3/4
5	421-065	HOUSING BRUSH END 3.62 TXT	43	2307045	MOTOR- DRIVE HOUSING HIGH SPD	83	2333101	NUT-HEX 10-24 NYLOC
	9421-166	HOUSING BRUSH END 3.62 SONAR	44	2307205	LATCH HANDLE PD/AP	84	2994003	CNTRL BRD/CMPSS ASSMBLY-AUTOPILOT
6	2-400-101	PLAIN END HOUSING ASSEMBLY	45	2302750	SPRING- LATCH TORSION PD/AP	85	2302960	GROMMET-COMPASS [3.EA]
7	144-049	BEARING - FLANGE (SERVICE ONLY)	46	2302607	PIN- DRIV-LOK GROOVE ZINC TYPE	86	2300235	CONTROL BOX COVER
8	880-003	**SEAL	47	2305514	DECAL-STOW/DEPLOY	87	2304082	ACTUATOR- SWITCH ON/OFF A/P
9	880-006	**SEAL WITH SHIELD	48	2305110	PAD-PIVOT SUPT [4.EA]	88	2302752	SPRING- ACTUATOR PD/AP SS
10	188-036	BRUSH ASSEMBLY [2.EA]	49	2305101	PIVOT PAD [2.EA]	89	2305660	DECAL- COVER ON/OFF 65PD/AP
11	725-050	BRUSH RETENTION- PAPER TUBE	50	2300500	PIN-LATCH	90	2372100	SCREW-8-18 X 5/8 [4.EA]
12	738-036	BRUSH PLATE W/HOLDER	51	2300510	PIN-PIVOT	■	2774700	FOOT PEDAL ASSEMBLY
13	975-040	SPRING - TORSION [2.EA]	52	2013100	NUT-SPEED [4.EA]	91	2304511	FOOT PEDAL BASE
14	337-036	**GASKET	53	2303612	ROD-RELEASE RT/AP SS	92	2308500	WEAR PLATE FOOT PDL
15	701-008	**O-RING, THRU-BOLT [2.EA]	54	2302700	SPRING-RELEASE LEVER	93	2304516	FOOT PEDAL-UPPER
16	701-081	**O-RING	55	2303710	LEVER-RELEASE	94	2304520	FOOT PEDAL-LOWER
17	830-007	SCREW-8-32 [2.EA]	56	2300101	RELEASE-KNOB	95	2307210	LEVER MOM/CON-
18	830-008	THRU-BOLT 10-32X9.2 [2.EA]	57	2301700	SPACER-RELEASE LEVER	96	2302730	SPRING-LONG-UPPER PEDAL [2.EA]
19	990-067	WASHER- STEEL THRUST	58	2303430	SCREW-1/4-20 X 5/8	97	2302731	SPRING-SHORT-UPPER PEDAL
20	990-070	WASHER - NYLATRON	59	2031522	COLLAR- DRIVE (W/INSERT)	98	2302732	SPRING-LOWER PEDAL
21	2098032	MOTOR ASSEMBLY 24V 3.62 VARS F/W	60	2011365	SCREW-COLLAR/NEW KNOB	99	2304012	CONTROL BOARD ASSEMBLY-FT PDL
	2108032	MOTOR ASSEMBLY-SONAR 24V 3.62 VARS F/W	61	2304042	CTRL BOARD ASSEMBLY-24V PD/AP	100	2300120	KNOB-SPEED SELECTOR
25	2032076	TUBE- COMPOSITE 54"	62	2355410	SHRINK TUBE-1/2 ODX2	101	2300121	HOUSING SPEED SELECTOR
	2032077	TUBE- COMPOSITE 62"	64	2332100	SCREW-8-32 X 3/8 [3.EA]	102	2302840	ACTUATOR-BOARD
■	1378122	PROPELLER KIT	65	2090601	LEADWIRE IOGA 44"	103	2302841	ACTUATOR-MOM/CON
26	2091150	PROPELLER WWEDGE	66	2020700	TERMINAL RING [2.EA]	105	2302842	ACTUATOR-STEERING
27	2151726	WASHER-5/16 SS	67	2222906	STRAIN RELIEF- BRACKET PD/AP	106	2302100	SCREW-6-20 X 1/2 [5.EA]
28	2053101	NUT-PROP NYLOC	68	2303430	SCREW-1/4-20 X 5/8	107	2372100	SCREW-8-18 X 5/8 [5.EA]
29	2092600	PIN-DRIVE	69	2306555	HOUSING- CENTER PD/AP	108	2266610	DECAL-ON/OFF SWITCH
30	2301545	COLLAR- LATCH PD/AP	70	2034026	BATTERY GAUGE - 24 VOLT	109	2335130	BUMPER ACTUATOR
31	2303434	SCREW- 8-32X5/8 MACH PHCR	71	2306609	DECAL, BATTERY GAUGE	110	2994807	BAG ASSEMBLY- 4 RUBBER BUMPERS
32	2303112	NUT 8-32 NYLOC SS	72	2302935	STRAIN RELIEF-DR. HOUSING	■	2994803	BAG ASSEMBLY- (BOLT,NUT,WASHERS)
33	2301932	EXTRUSION- BASE MACHINED	73	2303941	SIDEPLATE (RIGHT)	*112	2153501	BOLT-MOUNTING-3500 W/STG [4.EA]
34	2303932	MOTOR REST- RIGHT LARGE	74	2303946	SIDEPLATE(LEFT)	*113	2151726	WASHER-5/16 [4.EA]
35	2303937	MOTOR REST- LEFT LARGE	75	2303430	SCREW-1/4-20 X 5/8- [4.EA]	*114	2153100	NUT-5/16-18 MOUNTING [4.EA]
36	2303430	SCREW 1/4-20X5/8 SELF TAP [4.EA]	76	2302515	CONTROL BOX PD/AP	*115	2301720	WASHER-MOUNTING RUBBER [6.EA]
37	2301845	DRIVE HOUSING PD/AP 2001	77	2991261	COIL CORD WSTRAIN RELEIF 54"	116	2211405	EXTENSION CABLE- SONAR
■	2882011	BUSHING/ OUTSHAFT KIT (INCLUDES 39-42)		2991262	COIL CORD WSTRAIN RELEIF 60"			

65AP Wiring Diagram



For parts and service
call toll free: 1-888-404-1119
www.mikesreelrepair.com