



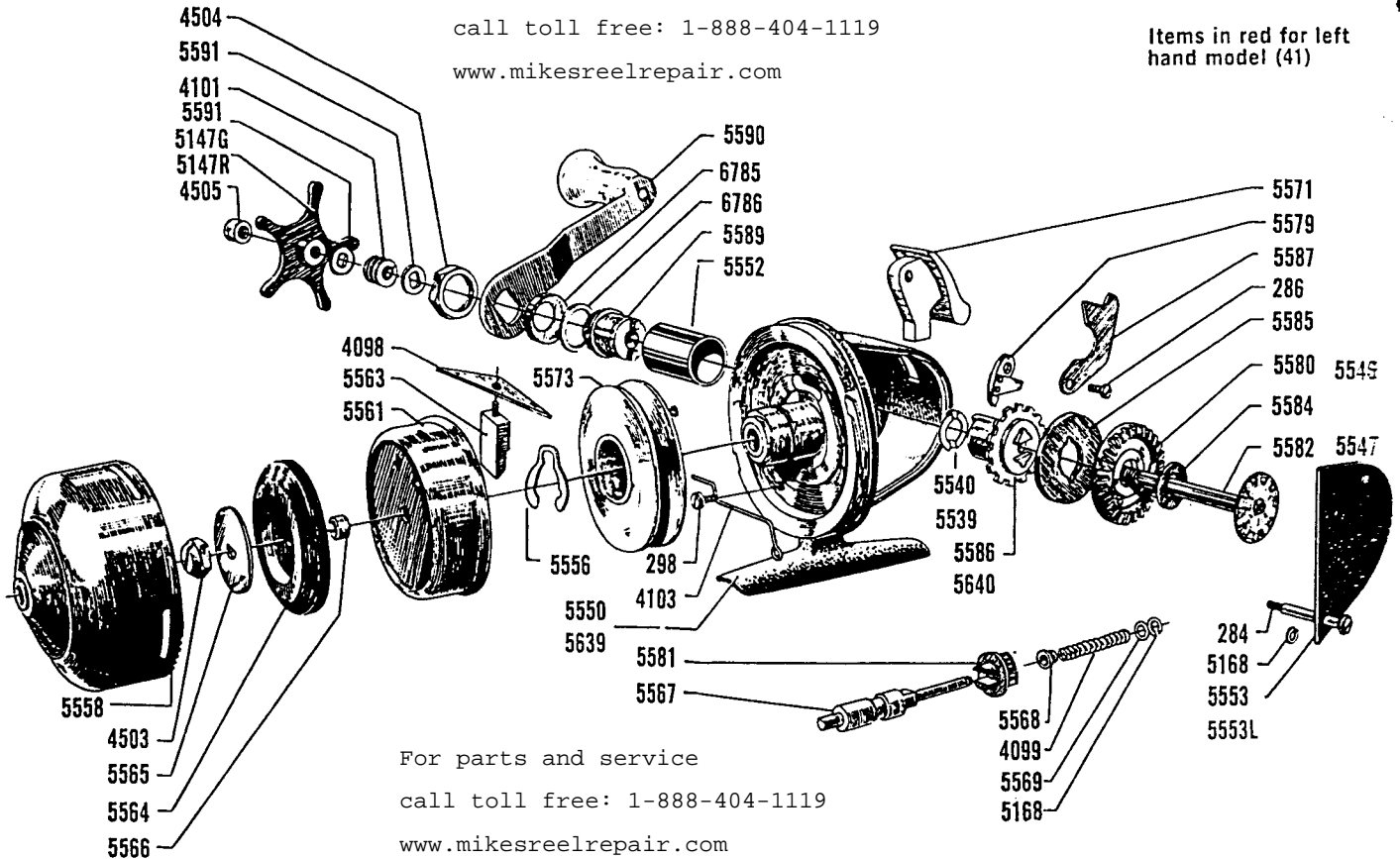
ABU-MATIC 40-41-60

For parts and service

call toll free: 1-888-404-1119

www.mikesreelrepair.com

Items in red for left hand model (41)



For parts and service

call toll free: 1-888-404-1119

www.mikesreelrepair.com

Prices subject to change without notice

No.	Part Name	Price	No.	Part Name	Price	No.	Part Name	Price
284	Side Plate Screw	(each) .15	5550	Housing (40) (60)	4.75	5580	Drive Gear with Click Spring (40) (60)	2.50
286	Lock Arm Screw	(each) .10	5552	Oilite Bushing	.50	5581	Pinion Gear	1.25
298	Bell Cover Lock Screw	.10	5553	Side Plate (40) (60)	.75	5582	Drive Shaft with Click Plate (40) (60)	1.25
4098	Line Pick Up Spring	.10	5553L	Side Plate (41)	.75	5584	Base Drag Washer	.10
4099	Main Axle Spring	.15	5556	Spool Lock	.10	5585	Drag Pressure Plate	1.00
4101	Brake Spring	.25	5558	Bell Cover	3.00	5586	Anti Reverse Ratchet	1.00
4103	Bell Cover Lock	.25	5561	Winding Cup	5.50	5587	Ratchet Lock Arm	.25
4503	Winding Cup Lock Nut	.20	5563	Line Pick Up	2.10	5589	Handle Bearing	1.00
4504	Handle Bearing Lock Nut	.25	5564	Rubber Cushion	.60	5590	Handle	1.75
4505	Handle Lock Nut (left hand thread)	.15	5565	Cushion Plate	.60	5591	Brake Spring Washer	(each) .10
5147G	Star Wheel (Gold) (40) (41)	1.75	5566	Cushion Spacer	.10	5639	Housing (41)	4.75
5147R	Star Wheel (Red) (60)	1.75	5567	Winding Cup Shaft	2.00	5640	Anti Reverse Ratchet	1.00
5168	"C" Lock	(each) .10	5568	Spring Bearing	.25	6785	Dust Shield	.25
5539	Synchro Slide (41)	.15	5569	"C" Lock Retainer	.10	6786	Felt Oil Retainer	.10
5540	Synchro Slide (40) (60)	.15	5571	Line Release Trigger	.50	9228	Spool Container	.60
5546	Drive Gear with Click Spring (41)	2.50	5573	Spool with Container	2.25			
5547	Drive Shaft with Click Plate (41)	1.25	5579	Anti Reverse Dog	.75			

Please specify both reel model and part numbers when ordering.

PARTS AND SERVICE AVAILABLE AT THE FOLLOWING REGIONAL FACTORY REPAIR DEPOTS:

**FACTORY SERVICE
RODS, REELS AND PARTS**

**THE GARCIA SERVICE DEPARTMENT
329 ALFRED AVENUE
TEANECK, NEW JERSEY 07666**

**THE CONOLON CORPORATION
1111 EAST McFADDEN STREET
SANTA ANA, CALIFORNIA 92705**

**SILICOTE SALES DIVISION
520 WEST 14th AVENUE
OSHKOSH, WISCONSIN 54902**

**J. K. CLARK COMPANY
ACO SPORTSMEN SERVICE
13501 VAN DYKE
DETROIT, MICHIGAN 48234**

REEL SERVICE AND PARTS

**NATE BUELL SERVICE CORPORATION
5013 N.E. 42nd STREET
PORTLAND, OREGON 97218**

**HARRY C. MILLER CO., INC.
257 PARK AVENUE SOUTH
NEW YORK, NEW YORK 10010**

**SHERMAN LOYD SALES COMPANY
4737 GREENVILLE AVENUE
DALLAS, TEXAS 75206**