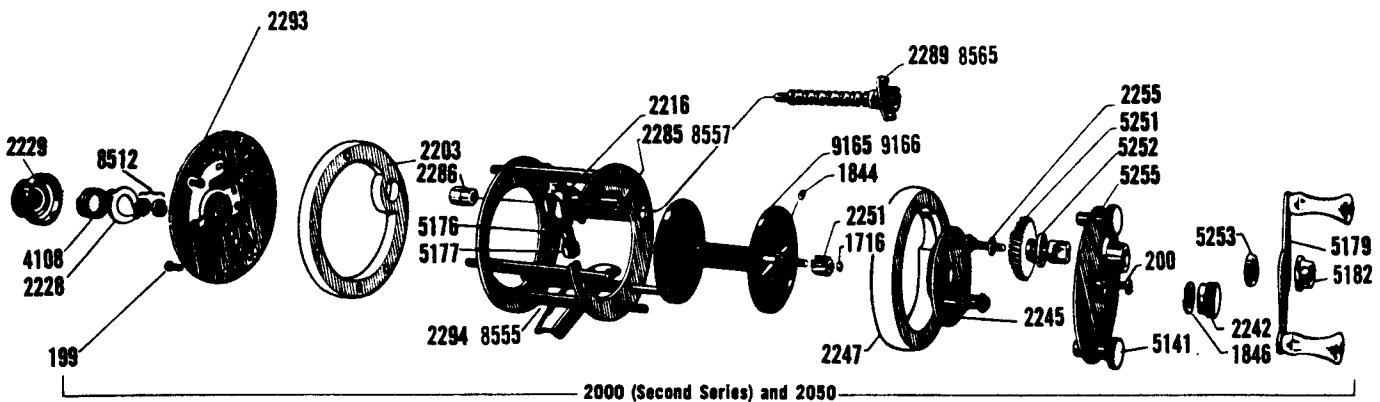




AMBASSADEUR 2000-2050

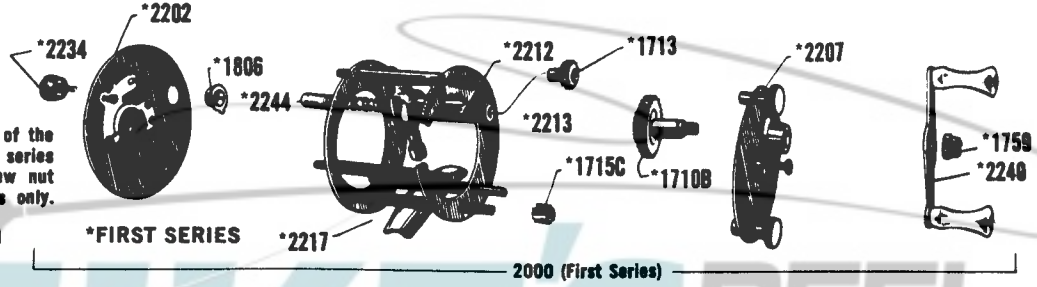


2000 (Second Series) and 2050

Items in red are for 2050

Top drawing represents the latest version of the two reels. The difference between the two series may be determined by the carriage screw nut (2234) which is found on the first series only.

Please specify both reel model and part numbers when ordering.



*FIRST SERIES

2000 (First Series)

MIKE'S REEL REPAIR