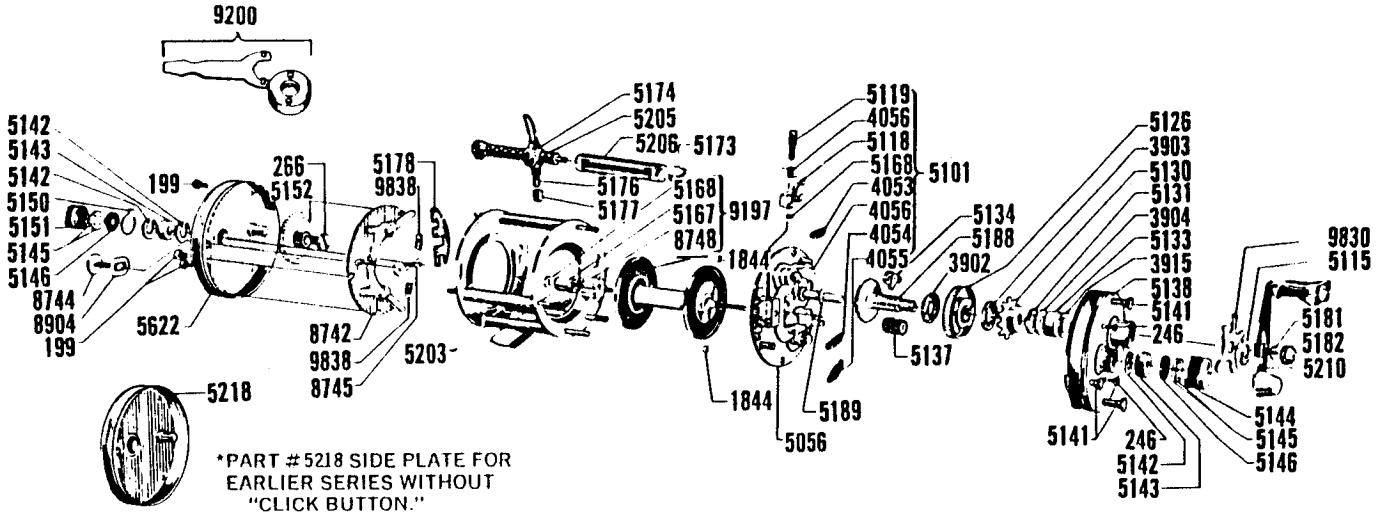


Garcia AMBASSADEUR 6000

For parts and service
 call toll free: 1-888-404-1119
 www.mikesreelrepair.com



For parts and service
 call toll free: 1-888-404-1119
 www.mikesreelrepair.com

Prices subject to change without notice

Please specify both reel model and part numbers when ordering.

No.	Part Name	Price	No.	Part Name	Price	No.	Part Name	Price
199	Pillar Screw	(each) .10	5131	Spring Washer	.10	5181	Handle Retaining Screw	.10
246	Bridge Screw	(each) .10	5133	Drive Shaft Bearing	.25	5182	Handle Lock Nut	.50
266	Cbg Wheel Screw	.10	5134	Anti Reverse Dog	.65	5188	Drive Shaft with Ratchet Wheel	2.60
1844A	Brake Block, Small	(each) .10	5137	Right Pinion Gear	1.05	5189	Drive Shaft Shim	.10
1844B	Brake Block, Medium	(each) .10	5138	Right Side Plate	4.85	5203	Frame Assembly	5.25
1844C	Brake Block, Large	(each) .10	5141	Side Plate Thumb Nut	(each) .25	5205	Carriage Screw	2.20
3902	Base Drag Washer	.10	5142	Spool Bearing Lock	(each) .10	5206	Carriage Screw Guard	1.65
3903	Drag Washer	.10	5143	Spool Shaft Bearing	(each) .90	5210	Handle	2.75
3904	Drag Spacer	.10	5144	Right Spool Cap	.95	5218	Left Side Plate (FIRST SERIES)	3.75
3915	Drag Shim	.10	5145	Spool Centering Shim	(each) .10	5622	Left Side Plate (with Click Button)	3.75
4053	Left Lock Arm Spring	.10	5146	Felt Oil Retainer	(each) .10	8742	Click Plate Assembly	1.05
4054	Right Lock Arm Spring	.10	5150	Spool Tension Indicator	.10	8744	Click Button	.30
4055	Press Arm Spring	.10	5151	Left Spool Cap	.90	8745	Click Pawl	.35
4056	Pinion Yoke Spring	.10	5152	Cog Wheel	1.05	8748	Click Ratchet	.10
5056	Brake Plate	5.75	5167	Left Pinion Gear	.55	8904	Click Button Plate	.10
5101	Brake Plate Assembly (complete)	7.00	5168	"C" Lock	.10	9173	(5207-5624) Spool Complete (with container)	10.00
5115	Friction Washer	.10	5173	Carriage Screw Bearing	.10	9210	Spool Container	.60
5118	Pinion Yoke	.50	5174	Line Carriage	2.50	9830	(5216) Star Wheel	2.75
5119	Pinion Yoke Shaft	.10	5176	Line Carriage Pawl	.60	9838	Click Pawl Spring	(each) .10
5126	Drive Gear with Click Spring	1.60	5177	Line Carriage Nut	.20			
5130	Click Wheel	1.05	5178	Carriage Screw Lock Arm	.10			

PARTS AND SERVICE AVAILABLE AT THE FOLLOWING REGIONAL FACTORY REPAIR DEPOTS:

- | | | |
|--|--|--|
| <p>FACTORY SERVICE
 RODS, REELS AND PARTS</p> <p>THE GARCIA SERVICE DEPARTMENT
 329 ALFRED AVENUE
 TEANECK, NEW JERSEY 07666</p> <p>THE CONOLON CORPORATION
 1111 EAST McFADDEN STREET
 SANTA ANA, CALIFORNIA 92705</p> | <p>SILICOTE SALES DIVISION
 520 WEST 14th AVENUE
 OSHKOSH, WISCONSIN 54902</p> <p>J. K. CLARK COMPANY
 ACO SPORTSMEN SERVICE
 13501 VAN DYKE
 DETROIT, MICHIGAN 48234</p> <p>REEL SERVICE AND PARTS</p> | <p>NATE BUELL SERVICE CORPORATION
 5013 N.E. 42nd STREET
 PORTLAND, OREGON 97218</p> <p>HARRY C. MILLER CO., INC.
 257 PARK AVENUE SOUTH
 NEW YORK, NEW YORK 10010</p> <p>SHERMAN LOYD SALES COMPANY
 4737 GREENVILLE AVENUE
 DALLAS, TEXAS 75206</p> |
|--|--|--|