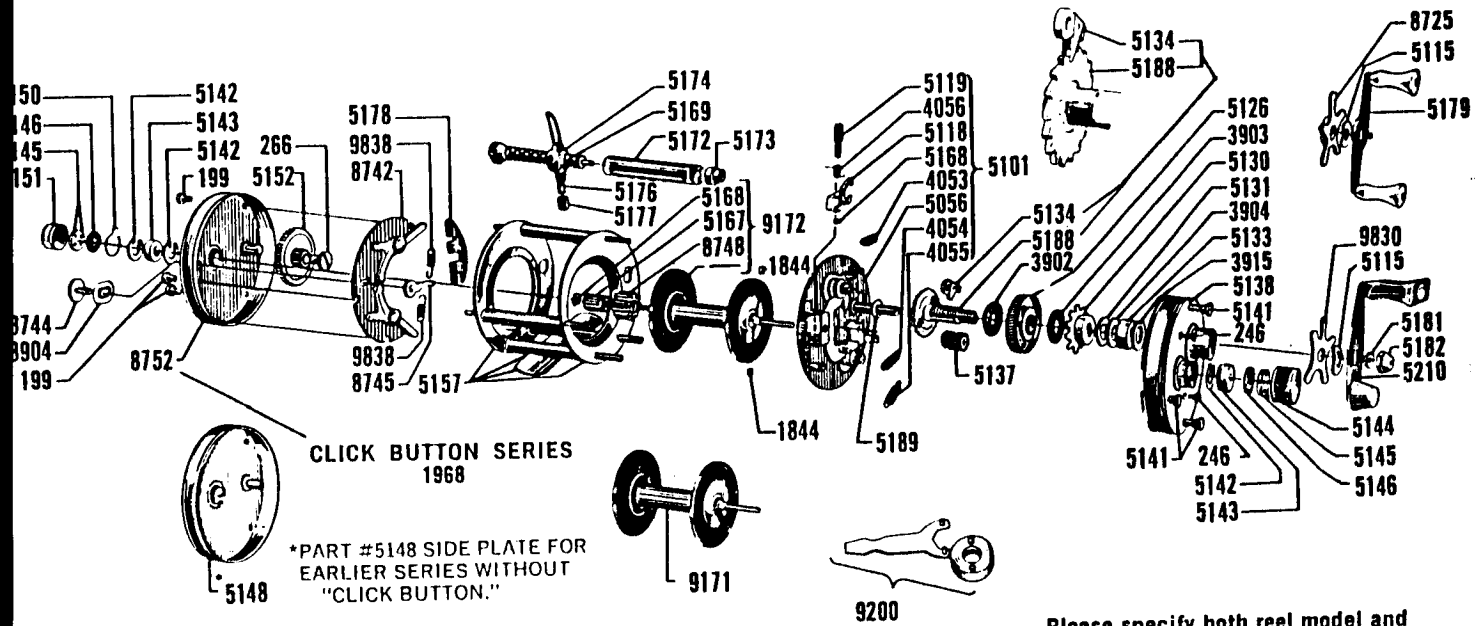




AMBASSADEUR 5000B

For parts and service
 call toll free: 1-888-404-1119
 www.mikesreelrepair.com



CLICK BUTTON SERIES
 1968
 *PART #5148 SIDE PLATE FOR
 EARLIER SERIES WITHOUT
 "CLICK BUTTON."

Prices subject to change without notice

Part Name	Price	No.	Part Name	Price	No.	Part Name	Price
199 Pillar Screw	(each) .10	5133 Drive Shaft Bearing	.25	5178 Carriage Screw Lock Arm	.10		
246 Bridge Screw	(each) .10	5134 Anti Reverse Dog	.65	5179 Handle, Double Knob (Accessory)	2.50		
266 Cog Wheel Screw	.10	5137 Right Pinion Gear	1.05	5181 Handle Retaining Screw	.10		
1844A Brake Block, Small	(each) .10	5138 Right Side Plate	4.85	5182 Handle Lock Nut	.50		
1844B Brake Block, Medium	(each) .10	5141 Side Plate Thumb Nut	(each) .25	5188 Drive Shaft with Ratchet Wheel	2.60		
1844C Brake Block, Large	(each) .10	5142 Spool Bearing Lock	(each) .10	5189 Drive Shaft Shim	.10		
3902 Base Drag Washer	.10	5143 Spool Shaft Bearing	(each) .90	5210 Handle Standard	2.75		
3903 Drag Washer	.10	5144 Right Spool Cap	.95	8725 (5147) Star Wheel, Small	2.25		
3904 Drag Spacer	.10	5145 Spool Centering Shim	(each) .10	8742 Click Plate Assembly	1.05		
3915 Drag Shim	.10	5146 Felt Oil Retainer	(each) .10	8744 Click Button	.30		
4053 Left Lock Arm Spring	.10	5148 Left Side Plate (FIRST SERIES)	3.75	8745 Click Pawl	.35		
4054 Right Lock Arm Spring	.10	5150 Spool Tension Indicator	.10	8748 Click Ratchet	.10		
4055 Press Arm Spring	.10	5151 Left Spool Cap	.90	8752 Left Side Plate (Click Button)	3.75		
4056 Pinion Yoke Spring	.10	5152 Cog Wheel	1.05	8904 Click Button Plate	.10		
5056 Brake Plate	5.75	5157 Frame Assembly	5.25	9171 (5162) Spool Complete, Small (with container)	10.00		
5101 Brake Plate Assembled	7.00	5167 Left Pinion Gear	.55	9172 (8743) Spool Complete, Large (with container)	10.00		
5115 Friction Washer	.10	5168 "C" Lock	(each) .10	9200 Drag Conv. Kit for Miami Met. Derby	2.75		
5118 Pinion Yoke	.50	5169 Carriage Screw	2.10	9210 Spool Container	.60		
5119 Pinion Yoke Shaft	.10	5172 Carriage Screw Guard	1.65	9830 (9260) Star Wheel	2.75		
5126 Drive Gear with Click Spring	1.60	5173 Carriage Screw Bearing	.10	9838 Click Pawl Spring	(each) .10		
5130 Click Wheel	1.05	5174 Line Carriage	2.50				
5131 Spring Washer	.10	5176 Line Carriage Pawl	.60				
		5177 Line Carriage Nut	.20				

Please specify both reel model and part numbers when ordering.

PARTS AND SERVICE AVAILABLE AT THE FOLLOWING REGIONAL FACTORY REPAIR DEPOTS:

FACTORY SERVICE
 RODS, REELS AND PARTS

THE GARCIA SERVICE DEPARTMENT
 329 ALFRED AVENUE
 TEANECK, NEW JERSEY 07666

THE CONOLON CORPORATION
 1111 EAST McFADDEN STREET
 SANTA ANA, CALIFORNIA 92705

SILICOTE SALES DIVISION
 520 WEST 14th AVENUE
 OSHKOSH, WISCONSIN 54902

J. K. CLARK COMPANY
 ACO SPORTSMEN SERVICE
 13501 VAN DYKE
 DETROIT, MICHIGAN 48234

REEL SERVICE AND PARTS

NATE BUELL SERVICE CORPORATION
 5013 N.E. 42nd STREET
 PORTLAND, OREGON 97218

HARRY C. MILLER CO., INC.
 257 PARK AVENUE SOUTH
 NEW YORK, NEW YORK 10010

SHERMAN LOYD SALES COMPANY
 4737 GREENVILLE AVENUE
 DALLAS, TEXAS 75208