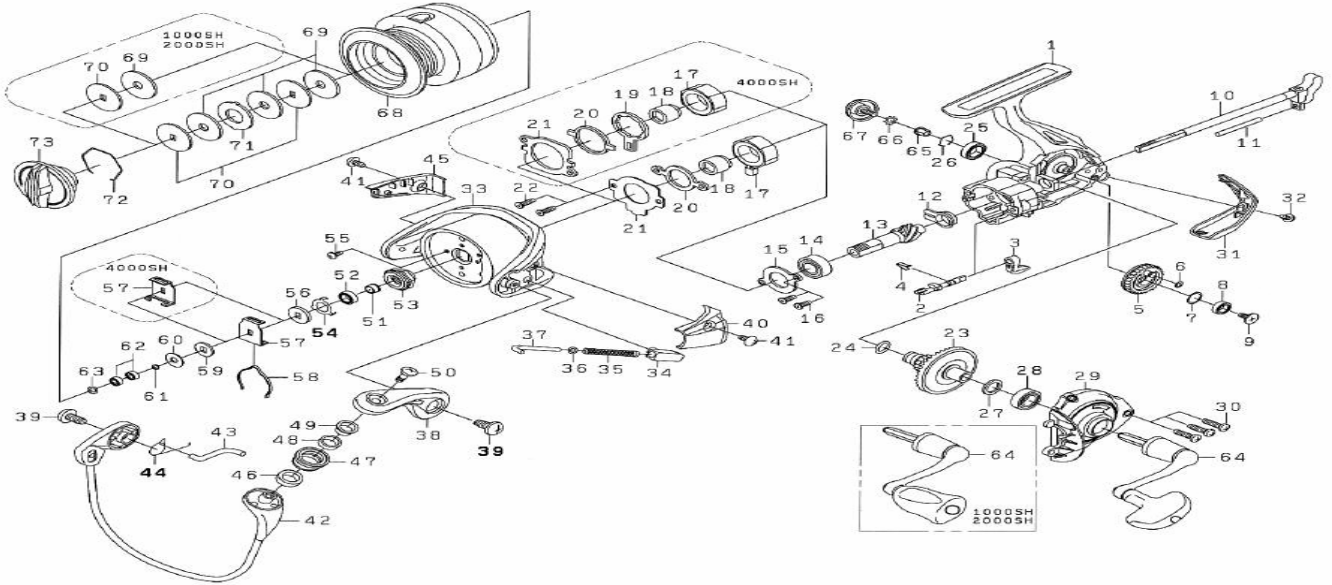


Please order by parts number, not key number
 Veuillez indiquer le numéro de la pièce (Non "Key" No.)



SPINNING REEL AIRD 1000SH/2000SH/2500SH/4000SH



Key No.	AIRD 1000SH Parts No.	Parts Name
1	H76-2701	Body
2	H46-3101	Anti-Reverse Cam
3	H46-3203	Anti-Reverse Lever
4	H46-3301	Anti-Reverse Cam Spring
5	H49-5801	Oscillating Gear
6	G68-3301	'O' Ring (A)
7	G46-6100	Washer (A)
8	F05-5602	Ball Bearing (A)
9	H46-3401	Screw (A)
10	H73-3301	Main Shaft
11	H49-4201	Stabilizer Bar
12	H46-3801	Collar (A)
13	H73-3401	Pinion Over
14	H72-6801	Ball Bearing (B)
15	H46-3901	Bearing Retainer (A)
16	H62-4901	Bearing (B)
17	G53-9201	Roller Clutch
18	H62-4702	Spacing Sleeve
19	-	Clutch Cam
20	H16-1801	Clutch Cam Retainer
21	H46-4001	Roller Clutch Retainer
22	G83-7101	Screw (C)
23	H73-3501	Drive Gear
24	G67-0501	'O' Ring (B)
25	G52-2703	Ball Bearing (C)
26	G47-2401	Bearing Retainer (B)
27	375-8500	Washer (B)
28	G46-7302	Ball Bearing (D)
29	H76-2801	Side Cover
30	G11-5001	Screw (D)
31	H49-4702	Rear Cover
32	G27-0801	Screw (E)
33	H49-4805	Rotor
34	G47-6001	Back Spring Holder
35	G47-1701	Bail Spring
36	E31-3901	Washer (C)
37	G47-1805	Bail Spring Shaft
38	H46-4503	Bail Arm
39	G20-5001	Screw (F)
40	H49-7902	Cover (A)
41	G27-0801	Screw (G)
42	H76-2901	Bail Assembly
43	G63-0801	Bail Trip Lever
44	G61-3101	Bail Trip Lever Spring
45	H49-8002	Cover (B)
46	G04-7601	Collar (B)
47	F92-1601	Line Roller
48	G22-0701	Collar (C)
49	G19-5501	Collar (D)
50	G19-5602	Screw (H)
51	G61-3501	Collar (E)
52	G46-6202	Ball Bearing (E)
53	G47-1301	Rotor Nut
54	G47-1501	Bearing Retainer (C)
55	G62-7701	Screw (I)
56	E24-6101	Washer (D)
57	G70-0001	Click Leaf Spring Holder
58	H57-0801	Spool Click Leaf Spring
59	E46-7101	Washer (E)
60	E39-8000	Washer (F)
61	B41-1706	Washer (G)
62	E33-2501	Ball Bearing (F)
63	G21-3001	'O' Ring (C)
64	H76-3001	Handle Assembly
65	F72-1001	Collar (F)
66	160-8101	Washer (H)
67	H59-0801	Handle Screw
68-72	H76-3101	Spool Assembly
69	E13-6001	Drag Washer
70	E46-7201	Key Washer
71	-	Eared Washer
72	F37-3301	Drag Washer Retainer
73	H76-3301	Drag Knob
68-72	H76-3101	Spool Assembly (Extra Spool)

AIRD 2000SH Parts No.	AIRD 2500SH Parts No.	AIRD 4000SH Parts No.
H76-2701	H76-7101	H76-7801
H46-3101	H46-3101	H50-8301
H46-3203	H46-3203	H46-3203
H46-3301	H46-3301	H46-3301
H49-5801	H48-9801	H54-5301
G68-3301	G46-6001	B85-3101
G46-6100	G46-6100	G52-2100
F05-5602	F05-5602	G46-7102
H46-3401	H46-3401	H46-3401
H73-3301	H73-2501	H73-4801
H49-4201	H46-3701	H50-8801
H46-3801	H46-3801	H50-8901
H73-3401	H78-2901	H78-3101
H72-6801	H72-6801	H73-5001
H46-3901	H46-3901	H50-9101
H62-4901	H62-4901	H62-4901
G53-9201	G53-9201	G31-4501
H62-4702	H62-4702	G74-3003
-	-	F64-1401
H16-1801	H16-1801	F64-1501
H46-4001	H46-4001	H51-5001
G83-7101	G83-7101	G83-7101
H73-3501	H72-6901	H73-5101
G67-0501	G67-0501	G64-5301
G52-2703	G52-2703	B86-1704
G47-2401	G47-2401	G52-5101
375-8500	375-8500	373-7800
G46-7302	G46-7302	G52-5401
H76-2801	H76-7201	H76-7901
G11-5001	G11-5001	G11-5001
H49-4702	H46-4302	H50-9502
G27-0801	G27-0801	G27-0801
H49-4805	H46-4410	H50-9606
G47-6001	G47-6001	G47-6001
G47-1701	G47-1701	G64-6201
E31-3901	E31-3901	E31-3901
G47-1805	G47-1805	G29-8201
H46-4503	H46-4503	H46-4503
G20-5001	G20-5001	G20-5001
H49-7902	H49-8802	H50-9802
G27-0801	G27-0801	G27-0801
H76-2901	H76-7301	H77-0201
G63-0801	G61-3001	G64-6501
G61-3101	G61-3101	G61-3101
H49-8002	H49-6902	H51-0102
G04-7601	G04-7601	G04-7601
F92-1601	F92-1601	F92-1601
G22-0701	G22-0701	G22-0701
G19-5501	G19-5501	G19-5501
G19-5602	G19-5602	G19-5602
G61-3501	G61-3501	G64-6701
G46-6202	G46-6202	G46-7102
G47-1301	G47-1301	G52-4701
G47-1501	G47-1501	G52-4801
G62-7701	G62-7701	G62-7701
E24-6101	E24-6101	E24-6101
G70-0001	G70-0001	G74-3301
H57-0801	H57-0801	F70-9002
E46-7101	E46-7101	E46-7101
E39-8000	E39-8000	E39-8000
B41-1706	B41-1706	B41-1706
E33-2501	E33-2501	E33-2501
G21-3001	G21-3001	G21-3001
H76-4801	H76-7401	H77-0301
F72-1001	F72-1001	F72-1202
160-8101	160-8101	160-8101
H59-0801	H59-0801	H59-2801
H76-4901	H76-7501	H77-0401
E13-6001	E13-6001	E136001
E46-7201	E46-7201	E46-7201
-	373-3606	373-3606
F37-3301	F37-3301	F37-3301
H76-3301	H76-7701	H76-7701
H77-7301	H77-7501	H77-7701