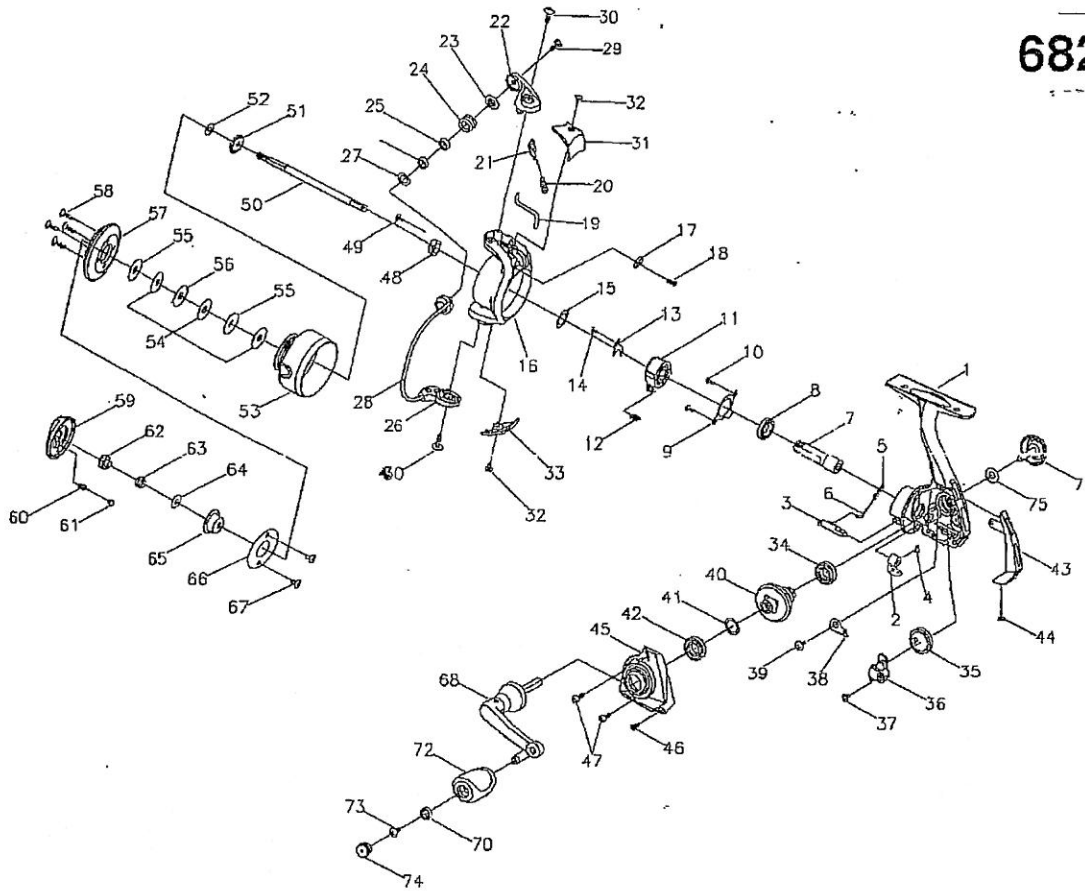


6820 UL



Part #	Part Name	Part #	Part Name
1	BODY ASSEMBLY	40	DRIVE GEAR — 1145697
2	N-R LEVER	41	GEAR WASHER — 1146817
3	N-R LEVER SHAFT	42	COVER BEARING — 1145073
4	N-R LEVER SCREW	43	REAR COVER
5	N-R LEVER SPRING	44	REAR COVER SCREW — 1146182
6	N-R LEVER GUIDE	45	BODY COVER ASSMEBLY
7	PINION	46	COVER SCREW (A)
8	BALL BEARING — 1145082	47	COVER SCREW (B)
9	BEARING RETAINER	48	ROTOR NUT
10	BEARING RETAINER SCREW	49	ROTOR NUT SCREW
11	ONE WAY CLUTCH ASSEMBLY — 1145124	50	MAIN SHAFT
12	CLUTCH SPRING	51	CLICK GEAR — 1146029
13	ONE WAY CLUTCH RETAINER	52	SHEET WASHER — 1146805
14	CLUTCH RETAINER SCREW	53	SPOOL ASSMEBLY — 1146548
15	ONE WAY CLUTCH WASHER	54	LINING WASHER
16	ROTOR	55	SPOOL WASHER
17	COUNTER WEIGHT	56	DRAG WASHER
18	COUNTER WEIGHT SCREW	57	SPOOL LIP
19	TRIP PLUNGER	58	SPOOL LIP SCREW
20	BAIL ARM SPRING — 1146719	59	DRAG KNOB
21	BAIL ARM GUIDE — 1145732	60	DRAG CLICK SPRING
22	BAIL ARM	61	DRAG CLICK PIN
23	LINE ROLLER SPACER — 1145537	62	DRAG NUT
24	LINE ROLLER — 1146125	63	DRAG SPRING
25	LINE ROLLER BEARING — 1145107	64	DRAG SPRING WASHER
26	BAIL HOLDER	65	DRAG KNOB COVER
27	LINE ROLLER WASHER	66	DRAG KNOB WASHER
28	BAIL WIRE ASSEMBLY — 1144989	67	DRAG KNOB SCREW
29	L-ROLLER SCREW — 1146232	68	HANDLE ARM ASSEMBLY — 1145485
30	BAIL ARM SCREW	70	HANDLE KNOB BEARING
31	BAIL ARM COVER	71	HANDLE KNOB SHAFT
32	BAIL ARM COVER SCREW	72	HANDLE KNOB
33	BAIL HOLDER COVER	73	SCREW
34	GEAR BEARING — 1145125	74	HANDLE KNOB CAP
35	O/S GEAR — 1145664	75	H-LOCK WASHER
36	O/S SLIDER	76	HANDLE LOCK ASSEMBLY — 1145258
37	O/S SLIDER SCREW		
38	O/S SLIDER PLATE		
39	O/S SLIDER PLATE SCREW		

1145884