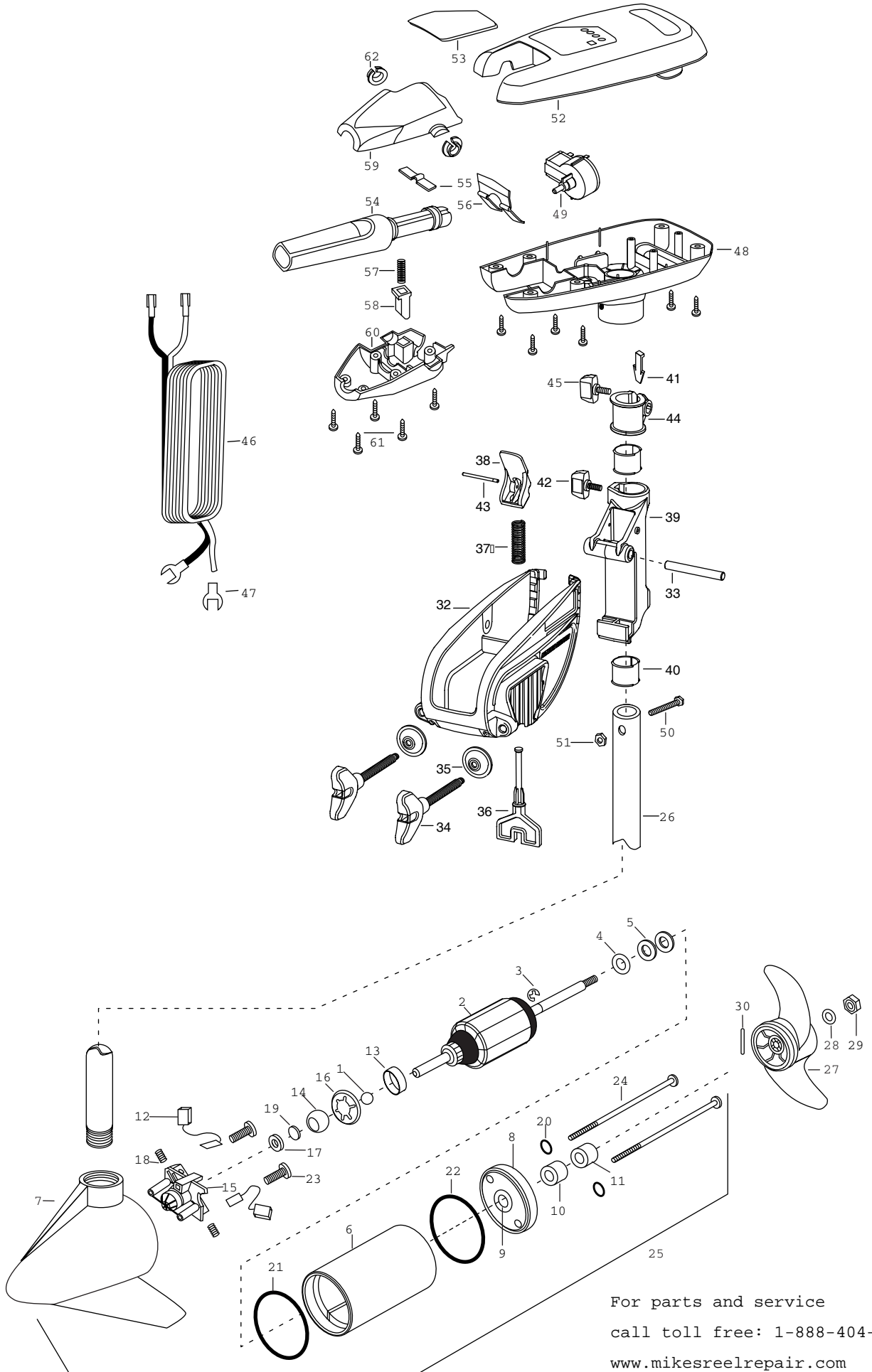


90 TURBO  
40 lbs Thrust  
12 Volt  
36" Shaft

For parts and service  
call toll free: 1-888-404-1119  
www.mikesreelrepair.com



For parts and service  
call toll free: 1-888-404-1119  
www.mikesreelrepair.com

1	116-020	BALL - STEEL	■	2771818	BRACKET & HINGE ASSEMBLY RED KNOB
2	2-100-001	ARM ASSEMBLY 12V 3.25 40*	■	2771910	BRACKET W/CLAMP SCREW ASSEMBLY (INCL.32,34,35)
3	788-015	RETAINING RING	*32	2061910	BRACKET PLASTIC
4	990-067	WASHER - STEEL THRUST	33	2060510	PIN-HINGE- ENDURA
5	990-070	WASHER - NYLATRON	■	2061300	SCREW- CLAMP
6	431-079	HOUSING ASSEMBLY CENTER 3.25 TXT	*34	2011710	WASHER- CLAMP SCREW 1.5OD
7	2-300-132	HOUSING ASSEMBLY BRUSH END 3.25	*35	2881300	CLAMP SCREW, WASHER, RETAINER KIT
8	2-400-124	PLAIN END HOUSING ASSEMBLY	36	2063605	T-BAR PLASTIC
9	144-049	BEARING - FLANGE [SERVICE ONLY]	37	2062706	SPRING- T-BAR ENDURA
10	880-003	**SEAL	38	2067201	LEVER- TILT BLACK
11	880-006	**SEAL WITH SHIELD	39	2061810	HINGE-PLASTIC
12	188-052	BRUSH ASSEMBLY [2.EA ]	40	2037301	BUSHING-HINGE [2.EA]
13	725-033	BRUSH RETENTION	41	2062800	TENSION BLOCK- SNAP IN
14	144-050	BEARING - SPHERICAL	42	2011385	SCREW-TENSION/NEW KNOB
15	737-031	BRUSH PLATE W/HOLDER 3.25 ASSEMBLY -INCL.14,15,16,17	43	2060515	PIN- TILT LEVER
16	784-036	BEARING RETAINER	44	2061520	COLLAR-DEPTH ((ENDURA)
17	991-025	WASHER - FELT	45	2011365	SCREW-COLLAR/NEW KNOB
18	975-032	SPRING - COMPRESSION	46	2050609	LEADWIRE 10 GA SPADE TERM
19	303-039	THRUST DISC - METAL	47	2020702	TERMINAL SPADE 10GA [2. EA]
20	701-007	**0-RING [2. EA]	48	2062551	CONTROL BOX PLAS W/HAND
21	701-041	**0-RING	49	2064023	SWITCH-FWD/REV 5SPD
22	701-039	**0-RING MK406460	50	2033400	SCREW-10-24 K 1-3/4
23	830-001	SCREW - SELF-THREAD 8-32X1.7 [2.EA ]	51	2013110	NUT-10-24 HEX
24	830-078	THRU BOLT 8-32 X 8.96 [2. EA]	52	2060281	CONTROL BOX COVER-(BLK)
25	2068050	MOTOR ASSEMBLY 12V3.25 5SPD TXT	53	2095668	DECAL-COVER, 90T-XL
26	2032052	TUBE (COMP)W/CS K HOLE 36"	54	2990912	HANDLE ASSEMBLY-W/U-JOINT 5SPD
■	1378126	PROP KIT	55	2302742	SPRING-DETENT OFF) (SS)
27	2061125	PROP (65 WEEDLESS WEDGE)	56	2302743	SPRING-DETENT HANDLE-TILT
28	2151726	WASHER- 5/16 STD SS	57	2302745	SPRING-RELEASE BUTTON (SS)
29	2053101	NUT-PROP NYLOC	58	2303720	RELEASE BUTTON-HANDLE
30	2092600	PIN-DRIVE (SS)	59	2060408	HANDLE (TOP HALF)
			60	2060415	HANDLE (LOWER HALF)
			61	2303412	SCREW-6-20 x 5/8 SELF TAP [11 EA]
			62	2060005	BEARING-HANDLE PIVOT [2. EA]

**\*\*Seal & Oring Kit P/N 2883460** \* This item is part of an assembly. This item cannot be sold separately due to machining and /or assembly that is required.  
For parts and service

P/N 2034948 REV.C 8-01

call toll free: 1-888-404-1119

www.mikesreelrepair.com

For parts and service  
call toll free: 1-888-404-1119  
[www.mikesreelrepair.com](http://www.mikesreelrepair.com)

