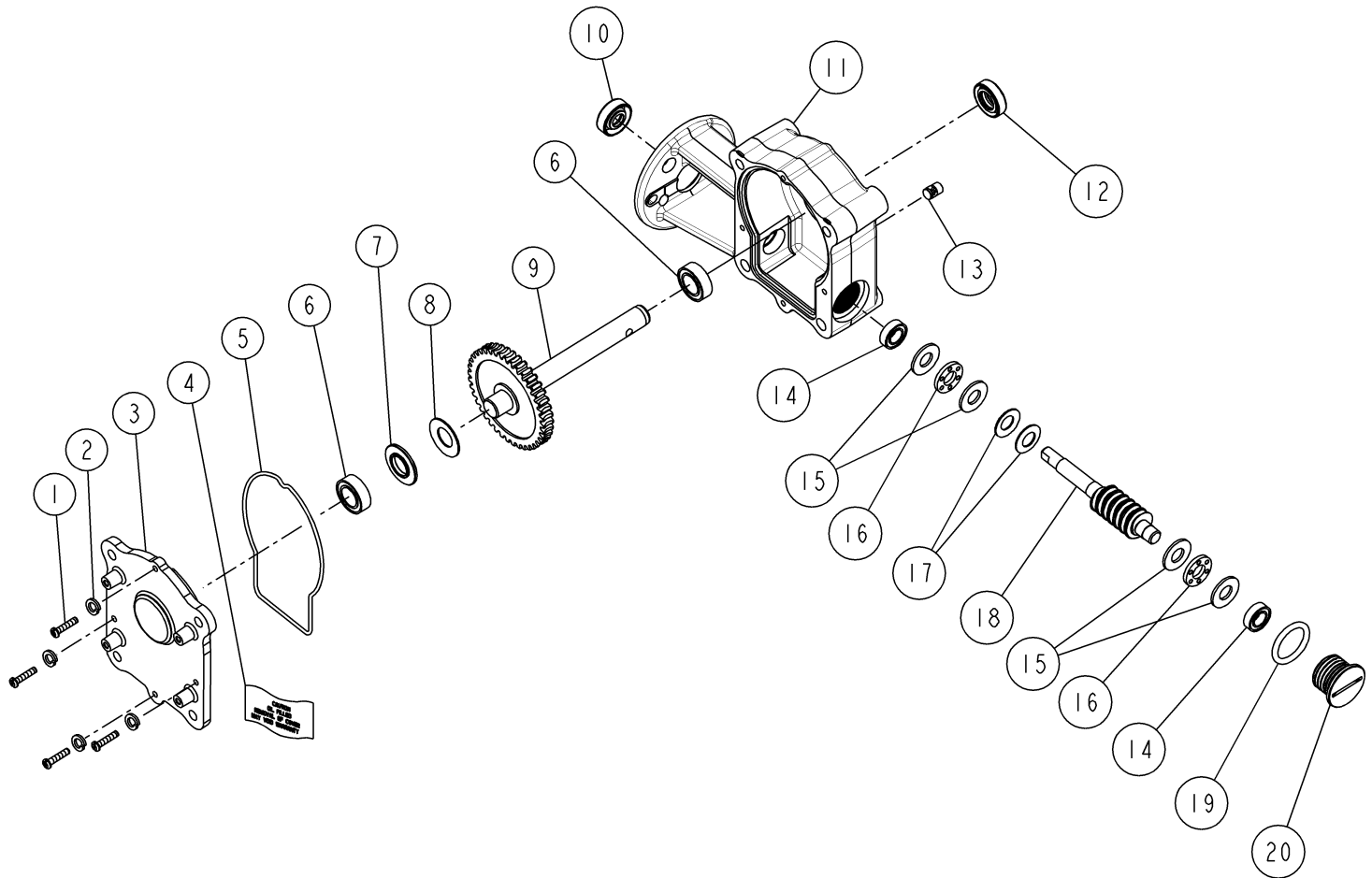




GEAR BOX ASSEMBLY FOR MODELS 805 AND 835

FOR AUTHORIZED TECHNICIANS ONLY



Key No.	Description
1	Cover Screw (4)
2	#6 Lock Washer (4)
3	Gear Box Cover
4	Warning Label
5	Gear Box 'O' Ring
6	Ball Bearing (2)
7	Main Gear Spacer
8	Spring Disc
9	Main Gear
10	Worm Shaft Seal

Part No.	Description
046 9500	Cover Screw (4)
220 835	#6 Lock Washer (4)
156A805	Gear Box Cover
225 800	Warning Label
166 805	Gear Box 'O' Ring
055 080ST	Ball Bearing (2)
009A805	Main Gear Spacer
018 970	Spring Disc
005A800	Main Gear
246 805	Worm Shaft Seal

Key No.	Description	Part No.
11	Gear Box Housing	156 805B
12	Main Shaft Seal	245 805
13	Locating Pin	156B805
14	Ball Bearing (2)	020 6500
15	Thrust Bearing Washers (4)	252 805
16	Thrust Bearing (2)	253 805
17	Spring Disc Washer (2)	018 020
18	Worm	042 805
19	O-Ring	120 805
20	Bearing Housing	026 80