

SPECIFICATIONS:

Year of Intro	1998
Thrust	67 LBS
Volts	24VDC
Amp Draw	0 to 33 amps
Mount	20 Bow
Speeds	Variable

PARTS ORDERING & TECH ASSISTANCE

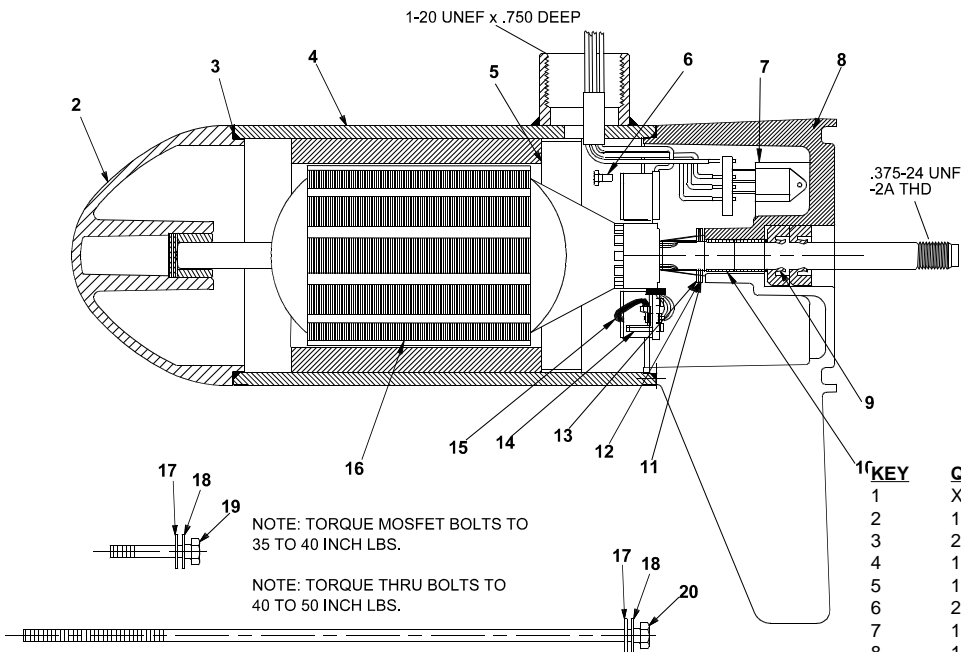
MotorGuide Consumer Relations
Phone 918-831-6989
Fax 800-982-8093

Returned Goods must be accompanied with a Returned Goods Authorization. Contact MotorGuide Consumer Relations to obtain RGA.

KEY	DESCRIPTION	PART #	KEY	DESCRIPTION	PART #	KEY	DESCRIPTION	PART #
1	RED INDICATOR	AF078-08	29	MONOFILAMENT WASHER	AR175-01	56	GRIP RING	LP046-01
2	T/H COVER COMPLETE BLACK	AF053-13	30	PROP DRIVE PIN	BR102-01	57	NYLON WASHER	AK171-02
3	T/H COVER COMPLETE WHITE	AF053-12	31	PROP/	AF124-07	58	VARIABLE SPEED KNOB	LP082-06
4	COMPRESSION SPRING	AF014-01	32	PROP NUT	AR099-01	59	TOGGLE SWITCH 3 POSITIONS	FP153-03
5	TINNERMAN CLIP	AF046-01	33	24V F/O MOTOR WR	UF397-02	60		
6	#6 RACK GUIDE SCREW	AF133-01	34	63" CONTROL CABLE STUD ASY	9377	61	69" ELECTRIC CABLE JACKET	MM9006-03
7	RACK GUIDE COVER	AF127-01	35	69" CONTROL CABLE ASY	9767	62	63" ELECTRIC CABLE JACKET	MM9006-02
8	RACK	AP125-01	36	63" CONTROL CABLE ASY	AP327-16	63	CABLE PLATE	KP123-01
9	#10 x 1/2" SCREW	GR133-01	37	69" CONTROL CABLE ASY	AP327-18	64	#6 SELF TAP SCREW	EK135-01
10	CABLE CLAMP	AP036-01	38	24 VOLT DURA AMP BOARD	JF157-02	65	6 X 1/2 SCREW	AF135-01
11	INDICATOR GEAR	AF069-01	39	TERMINAL (4 PRONG)	FT160-03	66	6 X 1/2 SCREW	AF135-01
12	RACK GUIDE	AF126-01	40	#10 x 1/2" SCREW	GR133-01	67	FOOT PEDAL PAD	KP023-01
13	1/4 NUT SET SCREW	AF142-01	41	INSULATING SLEEVE	AT080-01	68	WEIGHT PLATE ASY	LP3123-01
14	PM PINION NUT	AF398-01	42	SELF TAPPING SCREW	AF141-01	69	6 X 1/2 SCREW	AF135-01
15	BEARING	FM005-01	43	GROMMET	AP071-01	70	CABLE CLAMP	KP036-01
16	BEARING CUP	AF007-01	44	CABLE TIE	AF030-01	71	SCREW	IR133-01
17	T/H BASE BLACK	AF004-07	45	LAMP HOLDER	AF394-01	72	BATTERY CLAMP	KP036-02
18	T/H BASE WHITE	AF004-06	46	LAMP	AF093-02	73	FOOT PEDAL BASE	LP003-01
19	#6 SELF TAP SCREW	EK135-01	47	NOMENCLATURE	JF056-17	74	SHAFT BUSHING	KP021-01
20	SCREW #8 X 3/4	LF141-03	48	BATTERY CABLE ASY	KP328-06	75	INSULATING SLEEVE	AT080-01
21	42/50" OUTER TUBE	AF165-06	49	MICRO SWITCH BOOT	KP157-01	76	6 X 1/2 SCREW	AF135-01
22	BEARING CUP	FM007-01	50	#6 32 X 1 1/2 SCREW	LP135-01	77	RETAINER PLATE	LP123-03
23	BEARING	FM005-01	51	MICRO SWITCH	AP151-01	78	#10X1/2 SCREW	GR133-01
24	BEARING RACE	AF006-03	52	6 - 32 NUT S.S	SP098-02	79	TERMINAL 4 PRONG	FT160-03
25	O RING	AF063-01	53	MICRO BUTTON	LP026-01	80	E RING	FP046-01
26	WAVE SPRING WASHER	AF171-01	54	FOOT PEDAL	LP101-03	81	CABLE PIVOT PIN	AP105-01
27	CONE SET SCREW	AF143-01	55	POTENTIOMETER	AP168-02	82	CABLE PIVOT	LP091-01
28	BEARING COLLAR	XF006-01		LOCK WASHER 3/8	KP171-01	83	.312 E RING	BK046-02
						84	FOOT PEDAL ROCKER PIN	LP102-01
						85	HI BYPASS DECAL	LP057-03
							PINION NUT BUSHING	AF021-01

LOWER UNIT BREAKDOWN

Model: **BRUTE**
767V



NOTE: TORQUE MOSFET BOLTS TO 35 TO 40 INCH LBS.

NOTE: TORQUE THRU BOLTS TO 40 TO 50 INCH LBS.

DIRECTION OF ROTATION IS COUNTER CLOCKWISE WHEN VIEWED FROM PROPELLER END WITH RED POSITIVE & BLACK NEGATIVE.

KEY	QTY	DESCRIPTION	PART NO.
1	X	MOTOR	UF397-02
2	1	NOSE CAP	JF3212-01
3	2	O RING SEAL	MR217-01
4	1	HOUSING ASY	UF3210-01
5	1	RETAINER	JF233-01
6	2	BRUSH CARD SCREW	MR228-01
7	1	DURA AMP MODULE	JF096-08
8	1	COMM CAP	UF3205-01
9	2	SHAFT SEAL	MR223-01
10	1	BEARING	MR206-01
11	1	NYLATRON WASHER	MR226-01
12	1	WASHER	MR227-01
13	1	E RING	MR219-01
14	2	BRUSH SPRINGS	MR214-02
15	1	BRUSH ASY LESS SPRING	UF3201-02
16	1	ARMATURE	UF3207-01
17	4	STATIC SEAL	MR222-01
18	4	THRU BOLT WASHER	MR216-01
19	2	DURA AMP SCREW	MR229-04
20	2	THRU BOLT	MR218-02

WIRING

