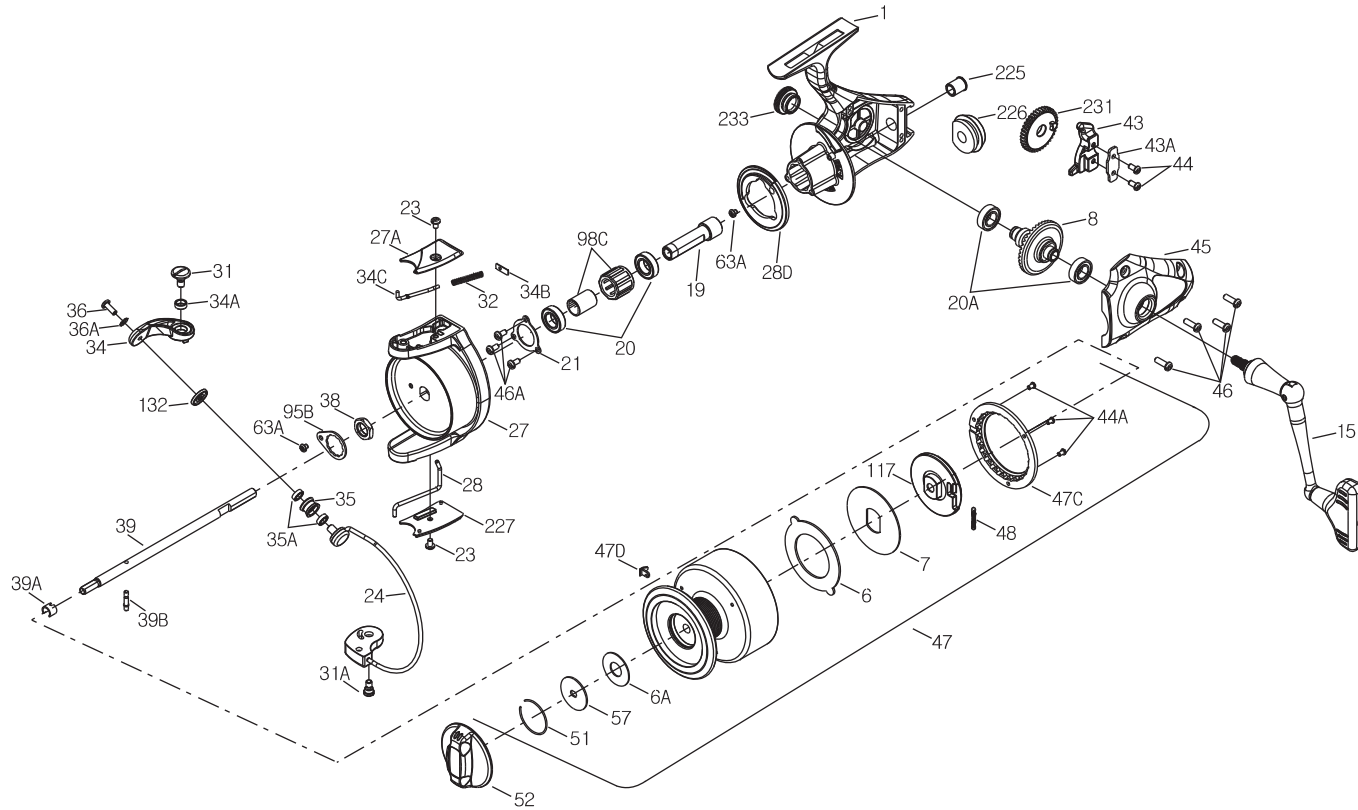




# PARTS LIST FOR MODEL 760



KEY NO.	PART NO	DESCRIPTION
1	001 760	Housing Assembly
6	006 950M	Drag Washer HT-100
6A	006 309	Drag Washer HT-100
7	007 760	Metal Drag Washer
8	008 760	Main Gear
15	015N750M	Handle Assembly
19	019 760	Pinion
20	020 760	Ball Bearing(2 req.)
20A	020 6500	Ball Bearing(2 req.)
21	021 760	Bearing Cover
23	023 750	Screw(2 req.)
24	024 760	Bail Wire Assembly
27	027 760	Rotor
27A	027A760	Bail Pivot Cover
28	028 760	Trip Lever
28D	28D 760	Friction Ring
31	031 750M	Bail Arm Screw
31A	031A550G	Bail Cam Screw
32	032 750M	Bail Spring
34	034 760	Bail Arm
34A	034A750	Bail Arm Bushing
34B	034B5600	Pivot Plate
34C	034C760	Pivot Arm
35	035 950M	Line Roller
35A	035A950M	Ball Bearing(2 req.)
36	036 750	Bail Stud Screw
36A	036A750	Lock Washer
38	038 9500	Rotor Nut
39	039 760	Spool Shaft
39A	039A760	Locating Pin Clip
39B	039B760	Locating Pin
43	043 760	Crosswind Block
43A	043A750	Crosswind Plate
44	044 750	Screw(2 req.)
44A	044 5600	Screw(3 req.)
45	045 760	Housing Cover Assembly
46	046 750	Screw(4 req.)
46A	046A704	Screw(3req.)
47	047 760	Spool Assembly
47C	047C760	Drag Cover
47D	047D5600	Line Clip
48	048 5600	Click Tongue
51	051 760	Retaining Ring
52	052 760	Drag Knob Assembly
57	057 760	Drag Washer, Keyed
63A	063A2.5FR	Screw(2 req.)
95B	095B950M	Rotor Locking Plate
98C	098C760	Clutch/Sleeve Assembly
117	117 760	Drive Plate
132	132 950M	Roller Washer
225	225 760	Rear Bushing
226	226 760	Rear Cap
227	227 760	Bail Trip Cover
231	231 760	Crosswind Gear
233	233 550G	Bearing Cover