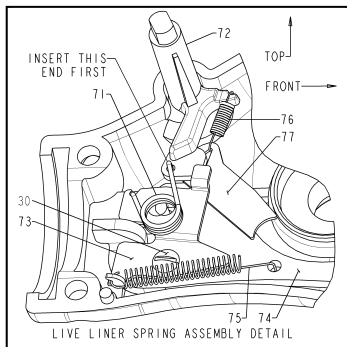
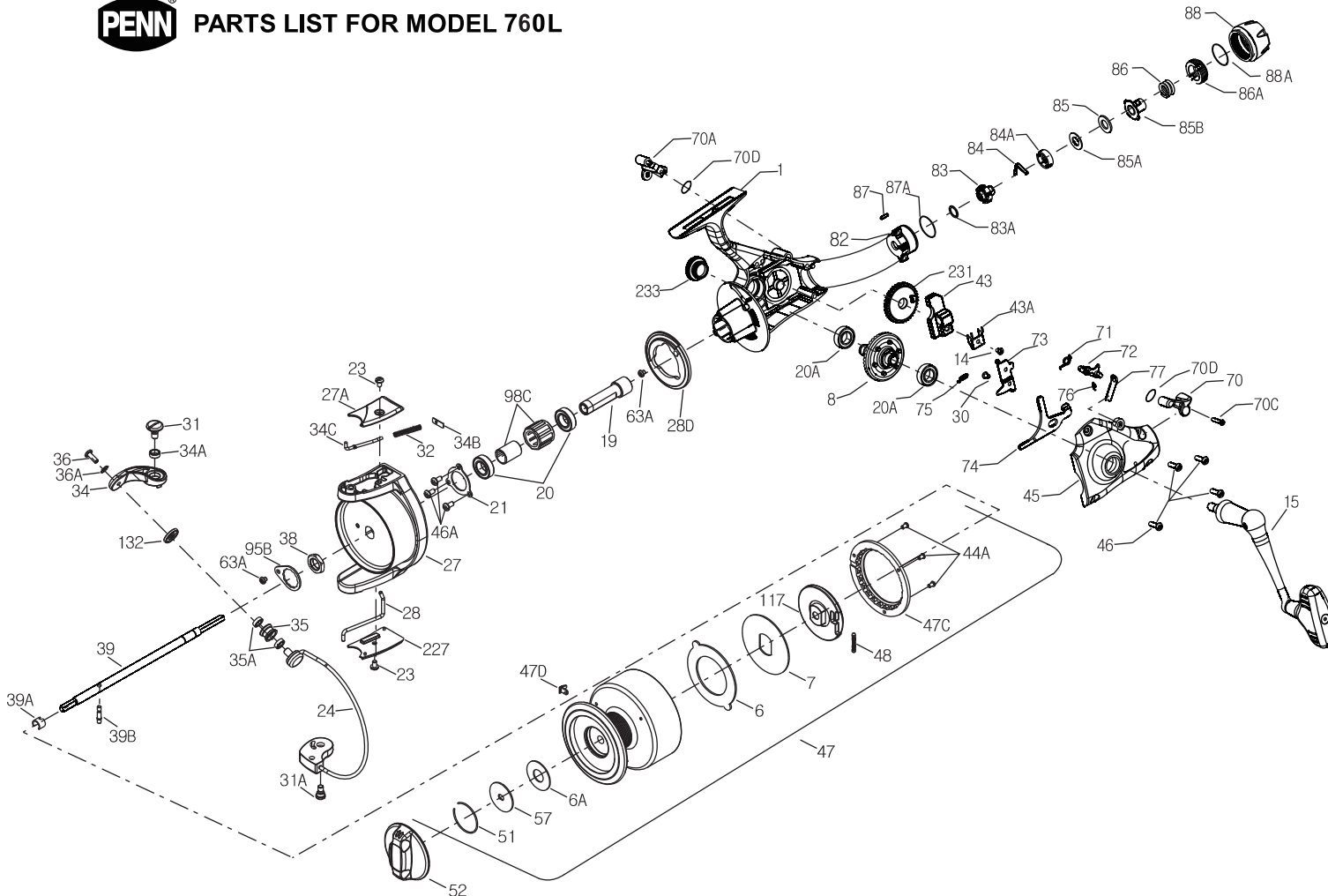




**PARTS LIST FOR MODEL 760L**



KEY NO.	PART NO.	DESCRIPTION
24	024 760	Bail Wire Assembly
27	027 760	Rotor
27A	027A760	Bail Pivot Cover
28	028 760	Trip Lever
28D	028D760	Friction Ring
30	031 2.5FR	Screw
31	031 750M	Bail Arm Screw
31A	031A550G	Bail Cam Screw
32	032 750M	Bail Spring
34	034 760	Bail Arm
34A	034A750	Bail Arm Bushing
34B	034B5600	Pivot Plate
34C	034C760	Pivot Arm
35	035 950M	Line Roller
35A	035A950M	Ball Bearing(2req.)
36	036 750	Bail Stud Screw
36A	036A750	Lock Washer
38	038 950M	Rotor Nut
39	039 760L	Spool Shaft
39A	039A760	Locating Pin Clip
39B	039B760	Locating Pin
43	043 760L	Cross Wind Block
43A	043A760L	Spool Shaft Clip
44A	044 5600	Screw(3req.)
45	045 760L	Housing Cover Assembly
46	046 750	Screw(4req.)
46A	046A704	Screw(3req.)
47	047 760	Spool Assembly
47C	047C760	Drag Cover
47D	047D5600	Line Clip
48	048 5600	Click Tongue
51	051 760	Retaining Ring
52	052 760	Drag Knob Assembly
57	057 760	Drag Washer.Keyed
63A	063A2.5FR	Screw(2req.)
70	070 5600	Live Line Eccentric Lever(Left)
70A	070A5600	Live Line Eccentric Lever(Right)
70C	070C5600	Screw
70D	070D760L	Live Liner Eccentric O-Ring
71	071 5600	Live Liner Eccentric Spring
72	072 5600	Live Liner Eccentric
73	073 760L	Live Liner Plate
74	074 760L	Live Liner Dog
75	075 5600	Live Liner Dog Spring
76	076 5600	Trip Spring
77	077 760L	Trip Lever
82	082 5600	Rear Housing
83	083 5600	Rear Drag Ratchet
83A	083A5600	Rear Drag Ratchet Washer
84	084 5600	Rear Drag Click Spring
84A	084A5600	Rear Drag Click Retainer
85	085 5600	Rear Drag Washer
85A	085A5600	Rear Keyed Washer
85B	085B5600	Rear Eared Washer
86	086 760L	Rear Drag Spring
86A	086A5600	Rear Drag Nut
87	087 5600	Rear Click Pin
87A	087A5600	Rear Click Pin Ring
88	088 760L	Rear Drag Knob
88A	088A760L	Rear Drag O-Ring
95B	095B950M	Rotor Locking Plate
98C	098C760	Clutch/Sleeve Assembly
117	117 760	Drive Plate
132	132 950M	Roller Washer
227	227 760	Bail Trip Cover
231	231 760	Crosswind Gear
233	233 550G	Bearing Cover

KEY NO.	PART NO.	DESCRIPTION
1	001 760L	Housing Assembly
6	006 950M	Drag Washer HT-100
6A	006 309	Drag Washer HT-100
7	007 760	Metal Drag Washer
8	008 760	Main Gear
14	044 4400	Screw
15	015N750M	Handle Assembly
19	019 760	Pinion
20	020 760	Ball Bearing(2 req.)
20A	020 6500	Ball Bearing(2 req.)
21	021 760	Bearing Cover
23	023 750	Screw(2req.)