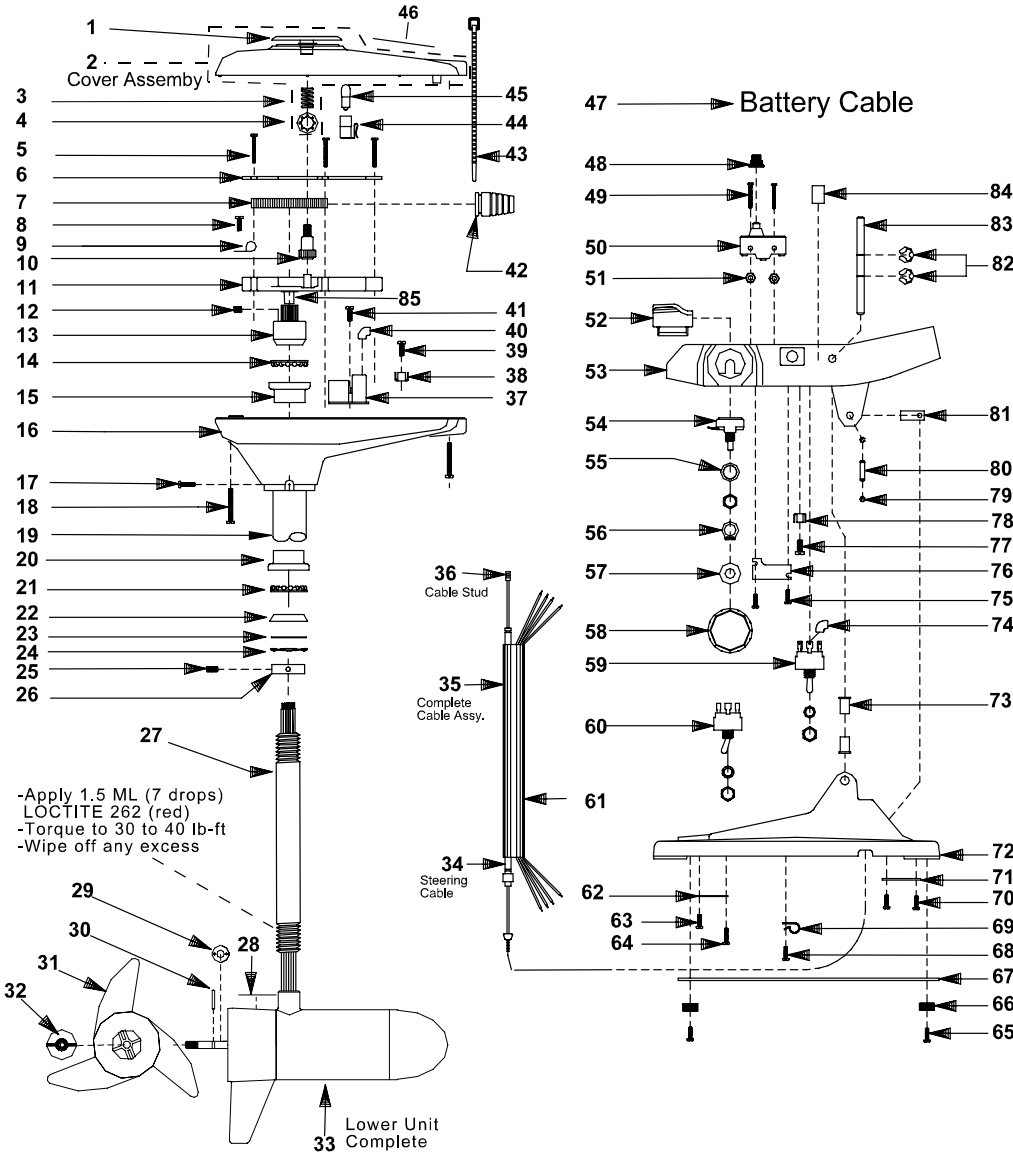


MotorGuide® REPAIR PARTS

Model: **MAGNUM**
752V



SPECIFICATIONS:

| | |
|---------------|--------------|
| Year of Intro | 1999 |
| Thrust | 52 LBS |
| Volts | 12VDC |
| Amp Draw | 0 to 48 amps |
| Mount | 15 Bow |
| Speeds | Variable |

QUICK REFERENCE PARTS GUIDE:

| | |
|------------------|----------|
| Momentary switch | AP151-01 |
| Toggle Switch | FP153-03 |
| DA Board | JF157-03 |
| MOSFET | JF096-08 |
| Motor Seal Kit | 6220 |

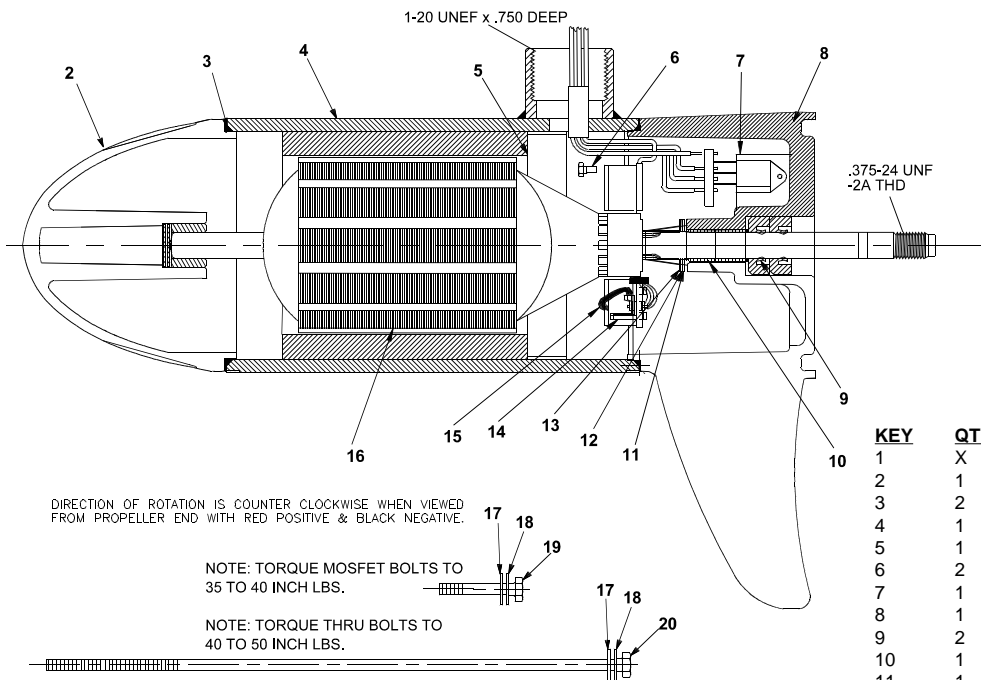
PARTS ORDERING & TECH ASSISTANCE

MotorGuide Consumer Relations
Phone 918-831-6989
Fax 800-982-8093

| KEY | DESCRIPTION | PART # | KEY | DESCRIPTION | PART # | KEY | DESCRIPTION | PART # |
|-----|--------------------------|----------|-----|----------------------------|----------|-----|---------------------------|-----------|
| 1 | RED INDICATOR | AF078-08 | 29 | MONOFILAMENT WASHER | AR175-01 | 57 | NYLON WASHER | AK171-02 |
| 2 | T/H COVER COMPLETE BLACK | AF053-13 | 30 | PROP DRIVE PIN | BR102-01 | 58 | VARIABLE SPEED KNOB | LP082-06 |
| | T/H COVER COMPLETE WHITE | AF053-12 | 31 | PROP/ 2 BLADE | AF124-07 | 59 | TOGGLE SWITCH 3 POSITIONS | FP153-03 |
| 3 | COMPRESSION SPRING | AF014-01 | 32 | PROP NUT | AR099-01 | | | |
| 4 | TINNERMAN CLIP | AF046-01 | 33 | F/O MOTOR WR | CF397-16 | 61 | 69" ELECTRIC CABLE JACKET | MM9006-03 |
| 5 | #6 RACK GUIDE SCREW | AF133-01 | 34 | 63" CONTROL CABLE STUD ASY | 9377 | | 63" ELECTRIC CABLE JACKET | MM9006-02 |
| 6 | RACK GUIDE COVER | AF127-01 | | 69" CONTROL CABLE STUD ASY | 9767 | 62 | CABLE PLATE | KP123-01 |
| 7 | RACK | AP125-01 | 35 | 63" CONTROL CABLE ASY | AP327-16 | 63 | #6 SELF TAP SCREW | EK135-01 |
| 8 | #10 x 1/2" SCREW | GR133-01 | | 69" CONTROL CABLE ASY | AP327-18 | 64 | 6 X 1/2 SCREW | AF135-01 |
| 9 | CABLE CLAMP | AP036-01 | 36 | CONTROL CABLE STUD | AP141-01 | 65 | 6 X 1/2 SCREW | AF135-01 |
| 10 | INDICATOR GEAR | AF069-01 | 37 | 12 VOLT DURA AMP BOARD | JF157-03 | 66 | FOOT PEDAL PAD | KP023-01 |
| 11 | RACK GUIDE | AF126-01 | 38 | TERMINAL (4 PRONG) | FT160-03 | 67 | WEIGHT PLATE ASY | LP3123-01 |
| 12 | 1/4 NUT SET SCREW | AF142-01 | 39 | #10 x 1/2" SCREW | GR133-01 | 68 | 6 X 1/2 SCREW | AF135-01 |
| 13 | PM PINION NUT | AF398-01 | 40 | INSULATING SLEEVE | AT080-01 | 69 | CABLE CLAMP | KP036-01 |
| 14 | BEARING | FM005-01 | 41 | SELF TAPPING SCREW | AF141-01 | 70 | SCREW | IR133-01 |
| 15 | BEARING CUP | AF007-01 | 42 | GROMMET | AP071-01 | 71 | BATTERY CLAMP | KP036-02 |
| 16 | T/H BASE BLACK | AF004-07 | 43 | CABLE TIE | AF030-01 | 72 | FOOT PEDAL BASE | LP003-01 |
| | T/H BASE WHITE | AF004-06 | 44 | LAMP HOLDER | AF394-01 | 73 | SHAFT BUSHING | KP021-01 |
| 17 | #6 SELF TAP SCREW | EK135-01 | 45 | LAMP | AF093-03 | 74 | INSULATING SLEEVE | AT080-01 |
| 18 | SCREW #8 X 3/4 | LF141-03 | 46 | NOMENCLATURE | CF056-13 | 75 | 6 X 1/2 SCREW | AF135-01 |
| 19 | 42/50" OUTER TUBE | AF165-06 | 47 | BATTERY CABLE ASY | KP328-06 | 76 | RETAINER PLATE | LP123-03 |
| 20 | BEARING CUP | FM007-01 | 48 | MICRO SWITCH BOOT | KP157-01 | 77 | #10X1/2 SCREW | GR133-01 |
| 21 | BEARING | FM005-01 | 49 | #6 32 X 1 1/2 SCREW | LP135-01 | 78 | ON SERT PAL NUT | TT098-03 |
| 22 | | | 50 | MICRO SWITCH | AP151-01 | 79 | E RING | FP046-01 |
| 23 | | | 51 | 6 - 32 NUT S.S | SP098-02 | 80 | CABLE PIVOT PIN | AP105-01 |
| 24 | | | 52 | MICRO BUTTON | LP026-01 | 81 | CABLE PIVOT | LP091-01 |
| 25 | CONE SET SCREW | AF143-01 | 53 | FOOT PEDAL HI MARINE | LP101-03 | 82 | .312 E RING | BK046-02 |
| 26 | BEARING CONE | AF006-01 | 54 | POTENTIOMETER | AP168-02 | 83 | FOOT PEDAL ROCKER PIN | LP102-01 |
| 27 | 42".105 SS F/O COLUMN | AF049-09 | 55 | LOCK WASHER 3/8 | KP171-01 | 84 | HI BYPASS DECAL | LP057-03 |
| 28 | LOWER UNIT DECAL | AF060-07 | 56 | GRIP RING | LP046-01 | 85 | PINION NUT BUSHING | AF021-01 |

LOWER UNIT BREAKDOWN

Model:
752V



| KEY | QTY | DESCRIPTION | PART NO. |
|-----|-----|-------------------|-----------|
| 1 | X | MOTOR | CF397-16 |
| 2 | 1 | NOSE CAP | XF3212-01 |
| 3 | 2 | O RING SEAL | MR217-01 |
| 4 | 1 | HOUSING ASY | UF3210-05 |
| 5 | 1 | RETAINER | JF233-01 |
| 6 | 2 | BRUSH CARD SCREW | MR228-01 |
| 7 | 1 | DURA AMP MODULE | JF096-08 |
| 8 | 1 | COMM CAP | XF3205-01 |
| 9 | 2 | SHAFT SEAL | MR223-01 |
| 10 | 1 | BEARING | MR206-01 |
| 11 | 1 | NYLATRON WASHER | MR226-01 |
| 12 | 1 | WASHER | MR227-01 |
| 13 | 1 | E RING | MR219-02 |
| 14 | 2 | BRUSH SPRINGS | MR214-02 |
| 15 | 1 | BRUSH LESS SPRING | UF3201-05 |
| 16 | 1 | ARMATURE | CF3207-01 |
| 17 | 4 | STATIC SEAL | MR222-01 |
| 18 | 4 | THRU BOLT WASHER | MR216-01 |
| 19 | 2 | DURA AMP SCREW | MR229-04 |
| 20 | 2 | THRU BOLT | MR218-02 |

WIRING

