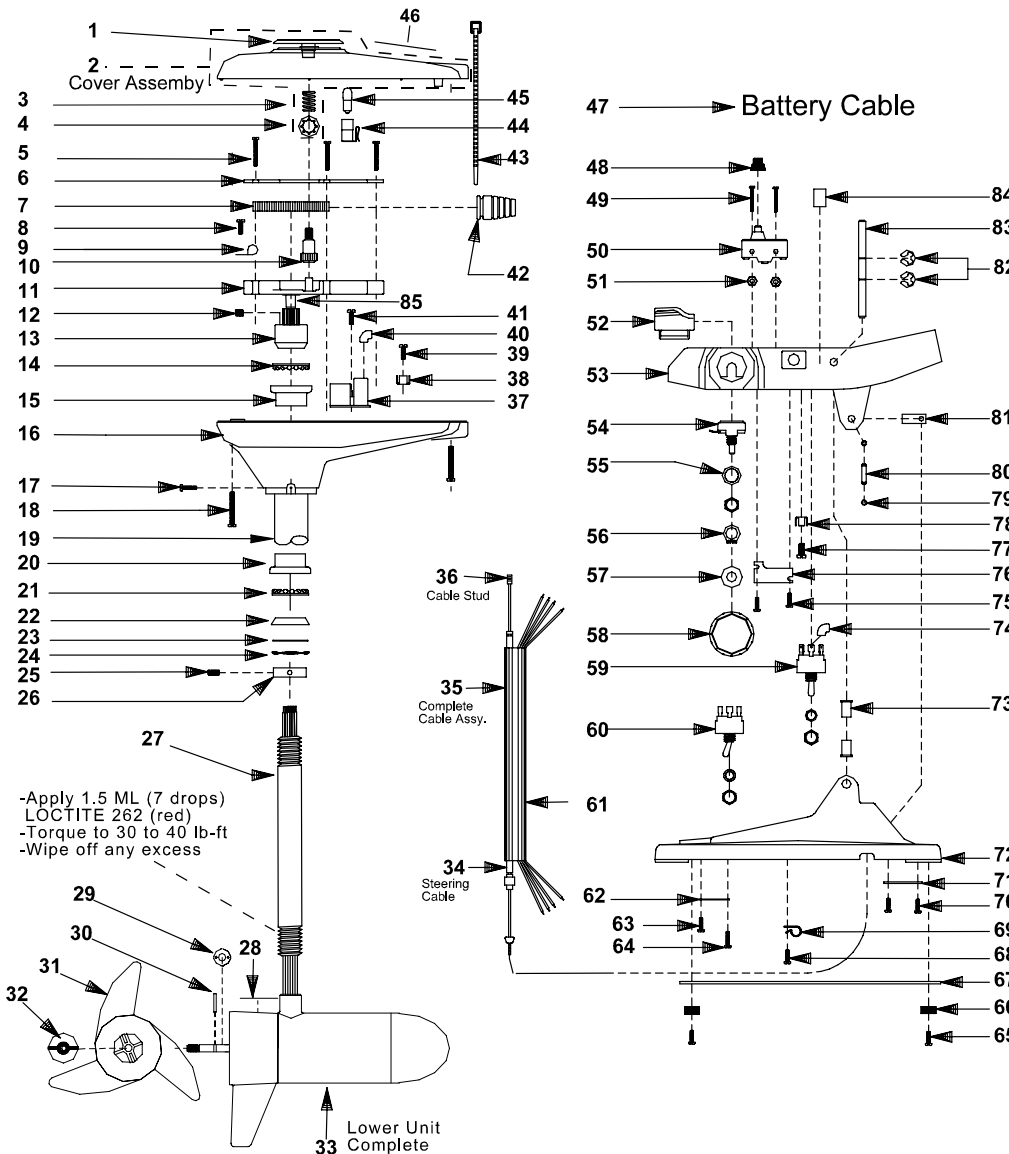


SPECIFICATIONS:

Year of Intro	2000
Thrust	43LBS
Volts	12VDC
Amp Draw	0 to 48 amps
Mount	01 Bow
Speeds	5 Forward

QUICK REFERENCE PARTS GUIDE:

Momentary switch	AP151-01
Toggle Switch	FP153-03
Motor Seal Kit	6220
Rotary Switch	HF150-01





MIKE'S REEL REPAIRS

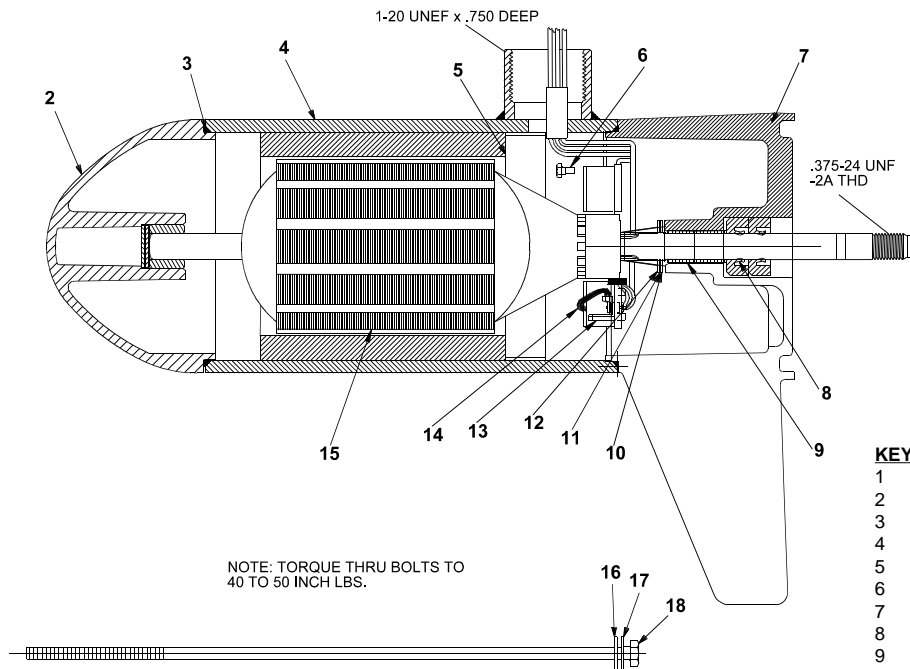
PARTS AND SERVICE
ROD & REEL REPAIRS
TROLLING MOTORS
MAIL ORDERS
WARRANTY CENTRE
FOR MOST MAJOR BRANDS

108 - 31060 Peardonville Rd., Abbotsford, BC V2T 6K5
PH: 604.855.1119 FAX: 604-855.4090
TOLL FREE: 1.888.404.1119
orders@mikesreelrepair.com
www.mikesreelrepair.com

KEY	DESCRIPTION	PART #	KEY	DESCRIPTION	PART #	KEY	DESCRIPTION	PART #
1	RED INDICATOR	AF078-08	29	MONOFILAMENT WASHER	AR175-01	57	NYLON WASHER	AK171-02
2	T/H COVER COMPLETE BLACK	AF053-13	30	PROP DRIVE PIN	BR102-01	58	5 SPEED KNOB	LP082-07
	T/H COVER COMPLETE WHITE	AF053-12	31	PROP/ 2 BLADE	AF124-07	59	TOGGLE SWITCH 3 POSITIONS	FP153-03
3	COMPRESSION SPRING	AF014-01	32	PROP/ NUT	AR099-01	60		
4	TINNERMAN CLIP	AF046-01	33	F/O MOTOR WR	EF397-03	61	69" ELECTRIC CABLE JACKET	MM9006-03
5	#6 RACK GUIDE SCREW	AF133-01	34	63" CONTROL CABLE STUD ASY	9377	62	63" ELECTRIC CABLE JACKET	MM9006-02
6	RACK GUIDE COVER	AF127-01	35	69" CONTROL CABLE STUD ASY	9767	63	CABLE PLATE	KP123-01
7	RACK	AP125-01	36	63" CONTROL CABLE ASY	LP327-06	64	#6 SELF TAP SCREW	EK135-01
8	#10 x 1/2" SCREW	GR133-01	37	69" CONTROL CABLE ASY	LP327-08	65	6 X 1/2 SCREW	AF135-01
9	CABLE CLAMP	AP036-01	38	CONTROL CABLE STUD	AP141-01	66	6 X 1/2 SCREW	AF135-01
10	INDICATOR GEAR	AF069-01	39			67	FOOT PEDAL PAD	KP023-01
11	RACK GUIDE	AF126-01	40			68	WEIGHT PLATE ASY	LP3123-01
12	1/4 NUT SET SCREW	AF142-01	41			69	6 X 1/2 SCREW	AF135-01
13	PM PINION NUT	AF398-01	42			70	CABLE CLAMP	KP036-01
14	BEARING	FM005-01	43			71	SCREW	IR133-01
15	BEARING CUP	AF007-01	44			72	BATTERY CLAMP	KP036-02
16	T/H BASE BLACK	AF004-07	45			73	FOOT PEDAL BASE	LP003-01
17	T/H BASE WHITE	AF004-06	46			74	SHAFT BUSHING	KP021-01
18	#6 SELF TAP SCREW	EK135-01	47			75	INSULATING SLEEVE	AT080-01
19	SCREW #8 X 3/4	LF141-03	48			76	6 X 1/2 SCREW	AF135-01
20	42/50" OUTER TUBE	AF165-06	49			77	RETAINER PLATE	LP123-03
21	BEARING CUP	FM007-01	50			78	#10X1/2 SCREW	GR133-01
22	BEARING	FM005-01	51			79	ON SERT PAL NUT	TT098-03
23			52			80	E RING	FP046-01
24			53			81	CABLE PIVOT PIN	AP105-01
25	CONE SET SCREW	AF143-01	54			82	CABLE PIVOT	LP091-01
26	BEARING CONE	AF006-01	55			83	.312 E RING	BK046-02
27	42" .105 SS F/O COLUMN	AF049-09	56			84	FOOT PEDAL ROCKER PIN	LP102-01
28	LOWER UNIT DECAL	AF060-07				85	DECAL	LP057-03
							PINION NUT BUSHING	AF021-01

LOWER UNIT BREAKDOWN

Model:
743



KEY	QTY	DESCRIPTION	PART NO.
1	X	MOTOR	EF397-03
2	1	NOSE CAP	JF3212-01
3	2	O RING SEAL	MR217-01
4	1	HOUSING ASY	KF3210-01
5	1	RETAINER	JF233-01
6	2	BRUSH CARD SCREW	MR228-01
7	1	COMM CAP	DF3205-01
8	2	SHAFT SEAL	MR223-01
9	1	BEARING	MR206-01
10	1	NYLATRON WASHER	MR226-01
11	1	WASHER	MR227-01
12	1	E RING	MR219-01
13	2	BRUSH SPRINGS	MR214-02
14	1	BRUSH ASY LESS SPRING	DF3201-01
15	1	ARMATURE	KF3207-01
16	4	STATIC SEAL	MR222-01
17	4	THRU BOLT WASHER	MR216-01
18	2	THRU BOLT	MR218-01

WIRING

12V WIRING DIAGRAM

