

MotorGuide® REPAIR PARTS

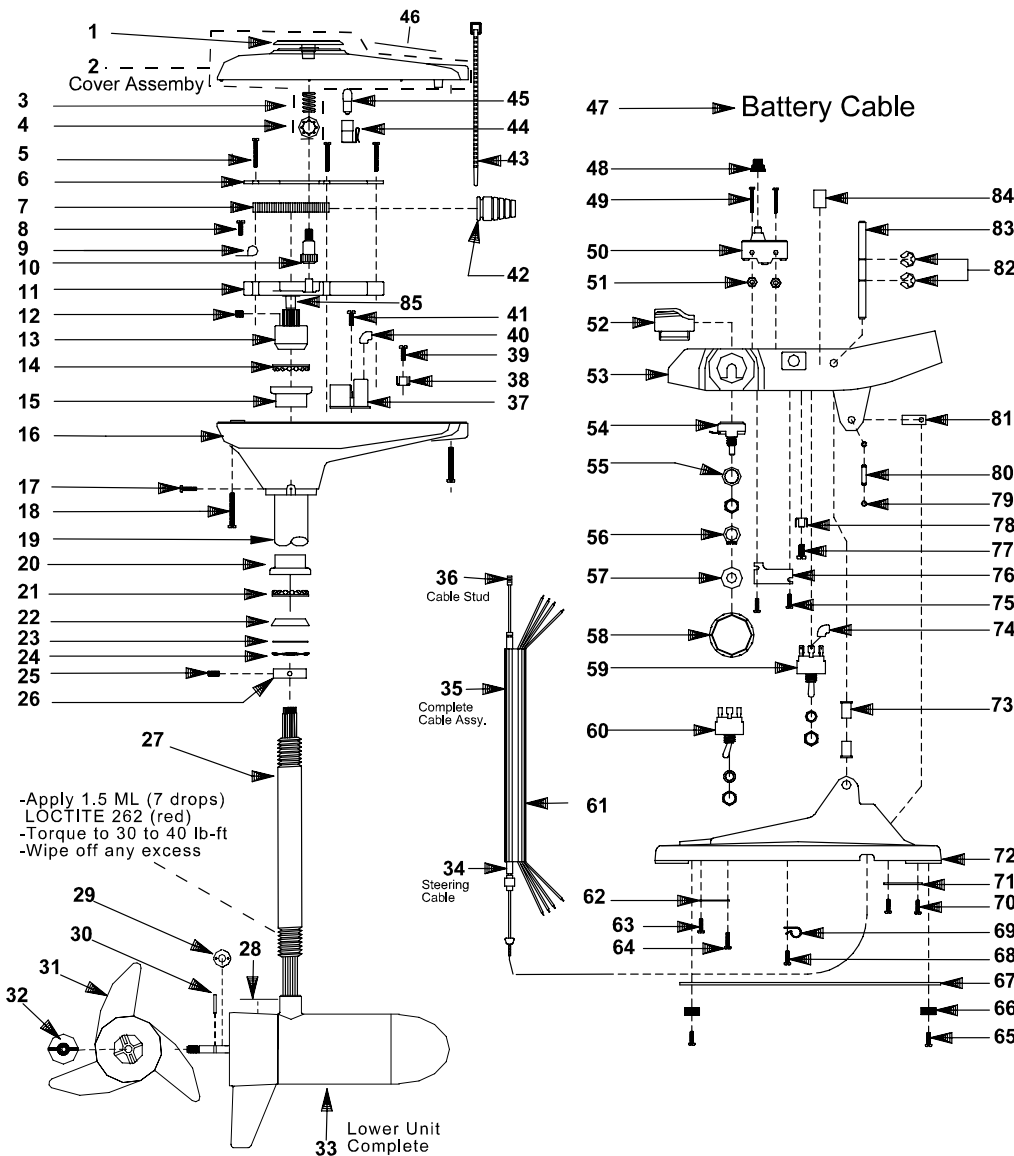
Model:
736

SPECIFICATIONS:

Year of Intro	2000
Thrust	36LBS
Volts	12VDC
Amp Draw	0 to 48 amps
Mount	01 Bow
Speeds	5 Forward

QUICK REFERENCE PARTS GUIDE:

Momentary switch	AP151-01
Toggle Switch	FP153-03
Motor Seal Kit	6220
Rotary Switch	HF150-01



KEY	DESCRIPTION	PART #	KEY	DESCRIPTION	PART #	KEY	DESCRIPTION	PART #
1	RED INDICATOR	AF078-08	29	MONOFILAMENT WASHER	AR175-01	57	NYLON WASHER	AK171-02
2	T/H COVER COMPLETE BLACK	AF053-13	30	PROP DRIVE PIN	BR102-01	58	5 SPEED KNOB	LP082-07
	T/H COVER COMPLETE WHITE	AF053-12	31	PROP/ 2 BLADE	AF124-07	59	TOGGLE SWITCH 3 POSITIONS	FP153-03
3	COMPRESSION SPRING	AF014-01	32	PROP NUT	AR099-01	60		
4	TINNERMAN CLIP	AF046-01	33	F/O MOTOR WR	PF397-01	61	69" ELECTRIC CABLE JACKET	MM9006-03
5	#6 RACK GUIDE SCREW	AF133-01	34	63" CONTROL CABLE STUD ASY	9377	62	63" ELECTRIC CABLE JACKET	MM9006-02
6	RACK GUIDE COVER	AF127-01		69" CONTROL CABLE STUD ASY	9767	63	CABLE PLATE	KP123-01
7	RACK	AP125-01	35	63" CONTROL CABLE ASY	LP327-06	64	#6 SELF TAP SCREW	EK135-01
8	#10 x 1/2" SCREW	GR133-01	36	63" CONTROL CABLE ASY	LP327-08	65	6 X 1/2 SCREW	AF135-01
9	CABLE CLAMP	AP036-01	37	CONTROL CABLE STUD	AP141-01	66	6 X 1/2 SCREW	AF135-01
10	INDICATOR GEAR	AF069-01				67	FOOT PEDAL PAD	KP023-01
11	RACK GUIDE	AF126-01	38			68	WEIGHT PLATE ASY	LP3123-01
12	1/4 NUT SET SCREW	AF142-01	39			69	6 X 1/2 SCREW	AF135-01
13	PM PINION NUT	AF398-01	40			70	CABLE CLAMP	KP036-01
14	BEARING	FM005-01	41			71	SCREW	IR133-01
15	BEARING CUP	AF007-01	42	GROMMET	AP071-01	72	BATTERY CLAMP	KP036-02
16	T/H BASE BLACK	AF004-07	43	CABLE TIE	AF030-01	73	FOOT PEDAL BASE	LP003-01
	T/H BASE WHITE	AF004-06	44	LAMP HOLDER	AF394-01	74	SHAFT BUSHING	KP021-01
17	#6 SELF TAP SCREW	EK135-01	45	LAMP	AF093-02	75	INSULATING SLEEVE	AT080-01
18	SCREW #8 X 3/4	LF141-03	46	NOMENCLATURE	FF056-19	76	6 X 1/2 SCREW	AF135-01
19	42/50" OUTER TUBE	AF165-06	47	BATTERY CABLE ASY	KP328-09	77	RETAINER PLATE	LP123-03
20	BEARING CUP	FM007-01	48	MICRO SWITCH BOOT	KP157-01	78	#10X1/2 SCREW	GR133-01
21	BEARING	FM005-01	49	#6 32 X 1 1/2 SCREW	LP135-01	79	ON SERT PAL NUT	TT098-03
22			50	MICRO SWITCH	AP151-01	80	E RING	FP046-01
23			51	6 - 32 NUT S.S	SP098-02	81	CABLE PIVOT PIN	AP105-01
24			52	MICRO BUTTON	LP026-01	82	CABLE PIVOT	LP091-01
25	CONE SET SCREW	AF143-01	53	FOOT PEDAL HI MARINE	LP101-03	83	.312 E RING	BK046-02
26	BEARING CONE	AF006-01	54	ROTARY SWITCH	HF150-01	84	FOOT PEDAL ROCKER PIN	LP102-01
27	42" .105 SS F/O COLUMN	AF049-09	55	LOCK WASHER 3/8	KP171-01	85	DECAL	LP057-04
28	LOWER UNIT DECAL	AF060-07	56	GRIP RING	LP046-01		PINION NUT BUSHING	AF021-01

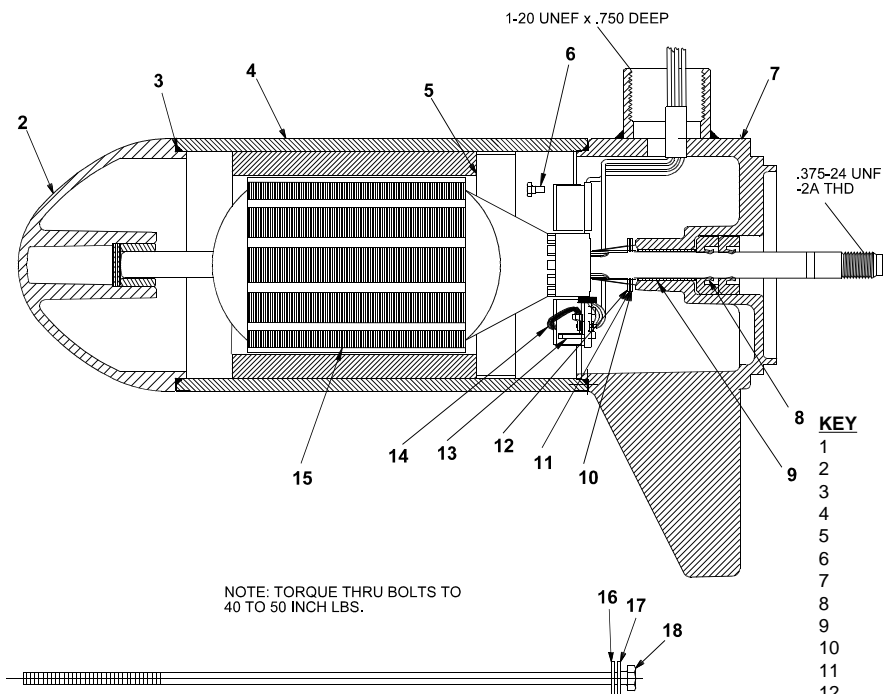
MIKE'S REEL REPAIRS

PARTS AND SERVICE
ROD & REEL REPAIRS
TROLLING MOTORS
MAIL ORDERS
WARRANTY CENTRE
FOR MOST MAJOR BRANDS

108 - 31060 Peardonville Rd., Abbotsford, BC V2T 6K5
PH: 604.855.1119 FAX: 604-855.4090
TOLL FREE: 1.888.404.1119
orders@mikesreelrepair.com
www.mikesreelrepair.com

LOWER UNIT BREAKDOWN

Model:
736



NOTE: TORQUE THRU BOLTS TO 40 TO 50 INCH LBS.

KEY	QTY	DESCRIPTION	PART NO.
1	X	MOTOR	PF397-01
2	1	NOSE CAP	JF3212-01
3	2	O RING SEAL	MR217-01
4	1	HOUSING ASY	PF3210-01
5	1	RETAINER	JF233-01
6	2	BRUSH CARD SCREW	MR228-01
7	1	COMM CAP	ET3205-01
8	2	SHAFT SEAL	MR223-01
9	1	BEARING	MR206-01
10	1	NYLATRON WASHER	MR226-01
11	1	WASHER	MR227-01
12	1	E RING	MR219-02
13	2	BRUSH SPRINGS	MR214-02
14	1	BRUSH ASY LESS SPRING	DF3201-01
15	1	ARMATURE	PF3207-01
16	4	STATIC SEAL	MR222-01
17	4	THRU BOLT WASHER	MR216-01
18	2	THRU BOLT	MR218-14

WIRING

12V WIRING DIAGRAM

