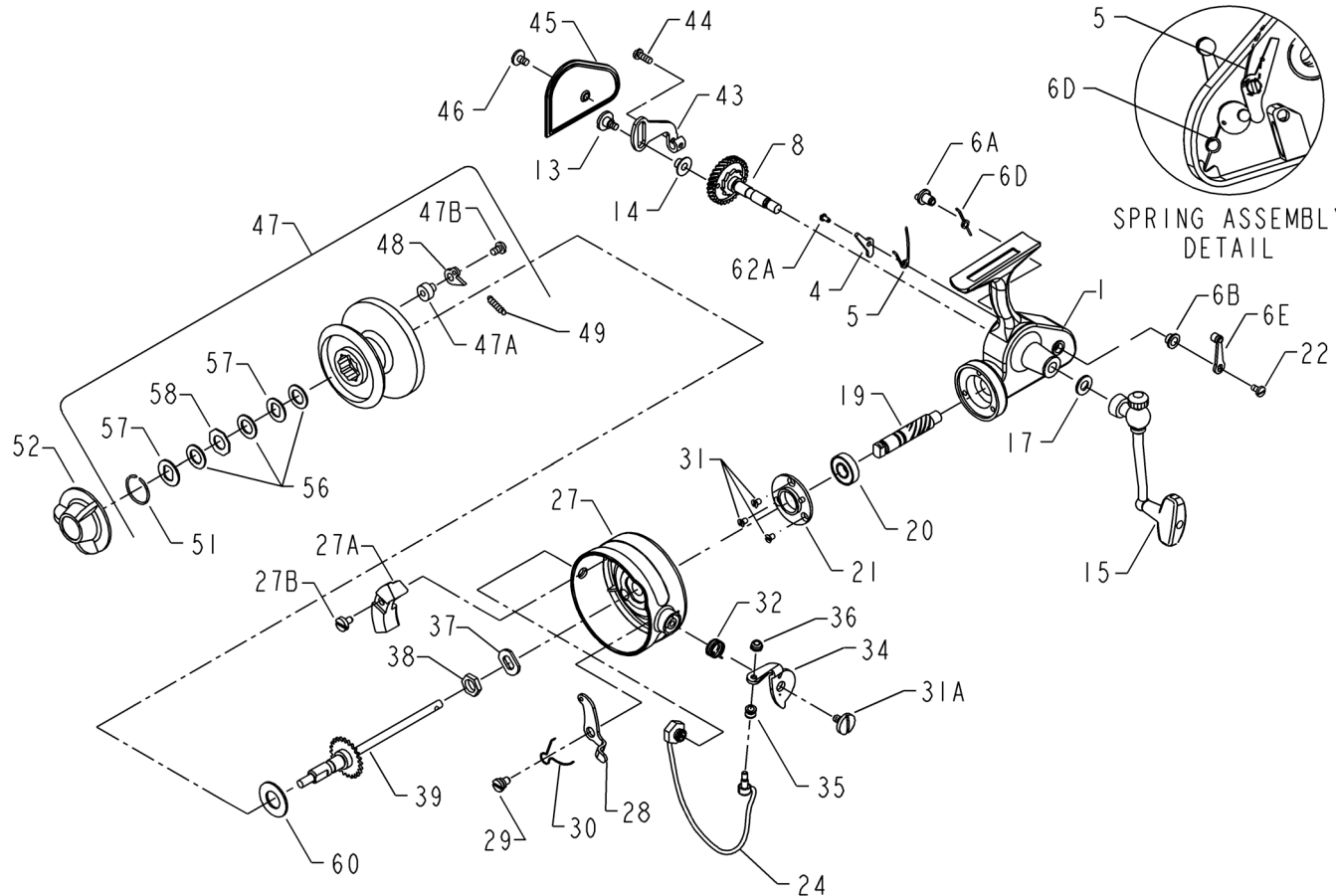


PENN PARTS LIST FOR MODELS 710Z AND 711Z



<u>KEY NO.</u>	<u>PART NO.</u>	<u>DESCRIPTION</u>
1	001 710	Housing w/Bushing
4	004 710	Dog
5	005 710	Dog Spring
6A	006A710	Eccentric
6B	006B700Z	Eccentric Liner
6D	006D710	Eccentric Spring
6E	006E710	Eccentric Lever
8	008 710	Main Gear w/Ratchet
13	013 710	Crosswind Screw
14	014 710	Crosswind Roller
15	015 710	Handle Assembly (Complete)
17	017 710	Handle Washer
19	019 710	Pinion Gear
20	020 704	Pinion Bearing
21	021 710	Bearing Retainer
22	022 109	Eccentric Screw
24	024 710	Bail Wire Assembly
27	027 710	Rotor Cup
27A	027AN710	Counterweight
27B	027B710	Screw
28	028 710	Bail Release Arm
29	029 710	Bail Release Screw
30	030 710	Bail Release Spring
31	031 019	Bearing Cover Screw (3 req.)
31A	031 710	Bail Screw
32	032 710	Bail Spring
34	034 710	Bail Arm
35	035 720	Line Roller
36	036 700	Bail Lock Nut
37	037 710	Rotor Cup Washer
38	038 710	Rotor Cup Nut
39	039 710	Spool Shaft Assembly
43	043 710	Crosswind Block
44	044 710	Crosswind Screw
45	045 710	Housing Cover
46	046 710	Housing Cover Screw
47	047 710	Spool Assembly(Complete)
47A	047A710	Click Bushing
47B	047B710	Click Screw
48	048 710	Click Tongue
49	049 710	Click Spring
51	051 710	Retaining Spring
52	052 710	Drag Knob
56	056 710	Drag Washer-HT100 (3 req.)
57	057 710	Metal Keyed Washer (2 req.)
58	058 710	Metal Washer (Octagon)
60	060 710	Thrust Washer (Teflon)
62A	062A716	Dog Screw