

MotorGuide® REPAIR PARTS

Model:
665

BRUTE COMPETITION 665

SPECIFICATIONS:

Year of Intro	1993
Thrust	50 to 55LBS
Volts	24VDC
Amp Draw	0 to 33 amps
Mount	20 Bow
Speeds	Variable

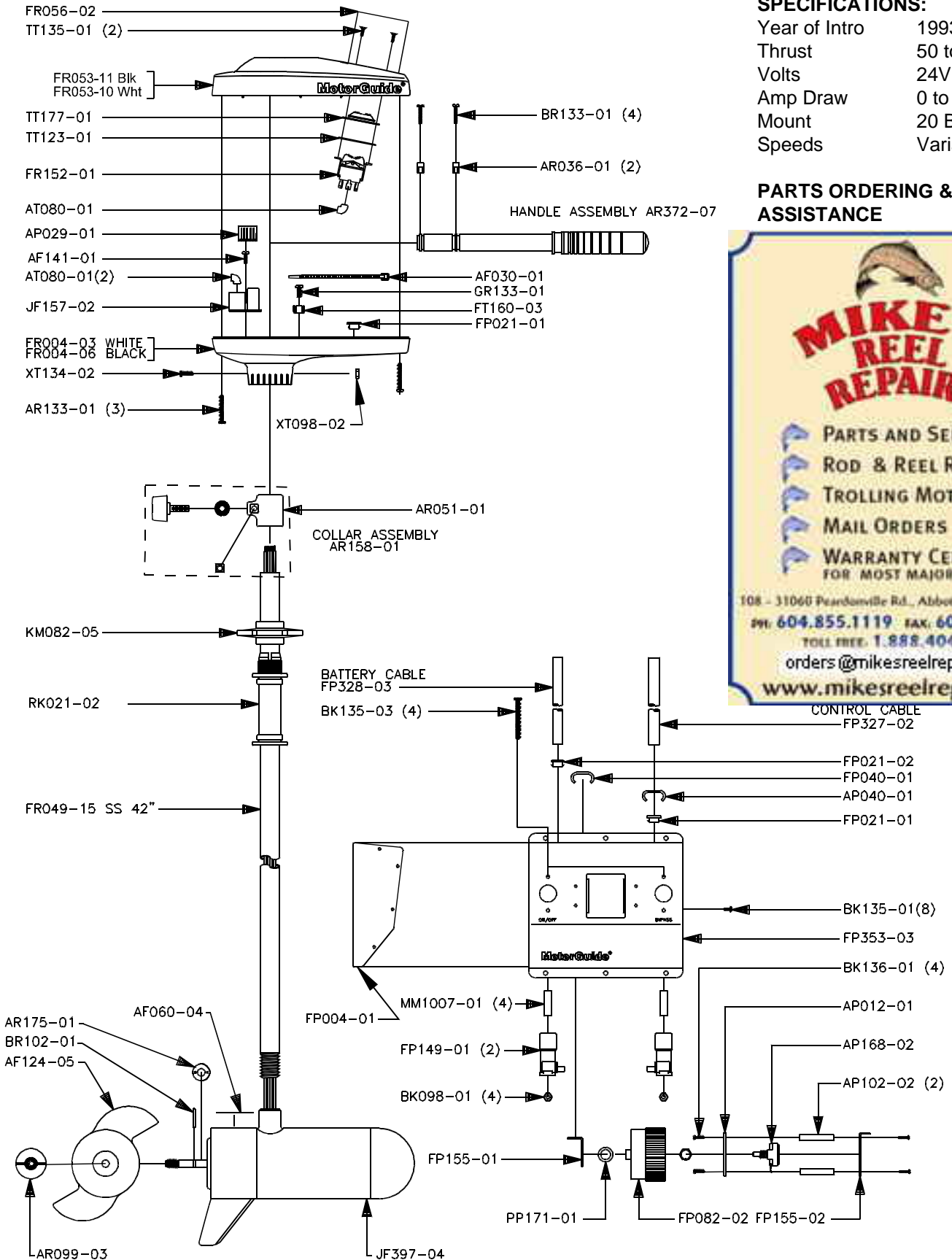
PARTS ORDERING & TECH ASSISTANCE



MIKE'S REEL REPAIRS

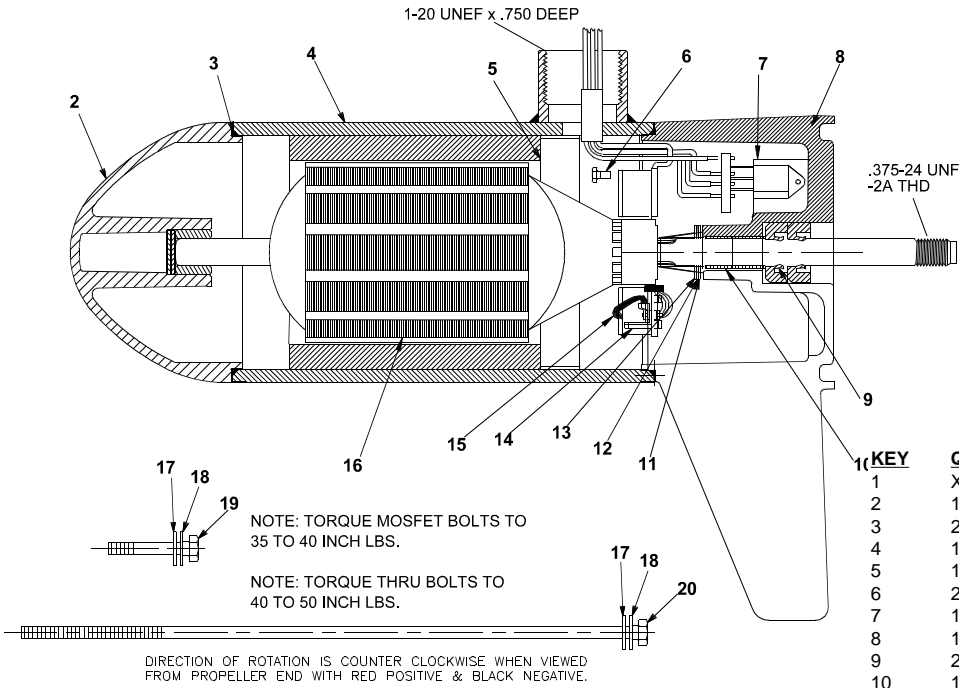
PARTS AND SERVICE
 ROD & REEL REPAIRS
 TROLLING MOTORS
 MAIL ORDERS
 WARRANTY CENTRE
 FOR MOST MAJOR BRANDS

108 - 31060 Peardonville Rd., Abbotsford, BC V2T 6K3
 PH: 604.855.1119 FAX: 604-855.4090
 TOLL FREE: 1.888.404.1119
 orders@mikesreelrepair.com
 www.mikesreelrepair.com



LOWER UNIT BREAKDOWN

Model:
665



KEY	QTY	DESCRIPTION	PART NO.
1	X	MOTOR	JF397-04
2	1	NOSE CAP	JF3212-01
3	2	O RING SEAL	MR217-01
4	1	HOUSING ASY	JF3210-01
5	1	RETAINER	JF233-01
6	2	BRUSH CARD SCREW	MR228-01
7	1	DURA AMP MODULE	JF096-07
8	1	COMM CAP	JF3205-04
9	2	SHAFT SEAL	MR223-01
10	1	BEARING	MR206-01
11	1	NYLATRON WASHER	MR226-01
12	1	WASHER	MR227-01
13	1	E RING	MR219-02
14	2	BRUSH SPRINGS	MR214-02
15	1	BRUSH ASY LESS SPRING	JF3201-03
16	1	ARMATURE 3.5"	JF3207-01
17	4	STATIC SEAL	MR222-01
18	4	THRU BOLT WASHER	MR216-01
19	2	DURA AMP SCREW	MR229-04
20	2	THRU BOLT	MR218-02

WIRING

