

MotorGuide® REPAIR PARTS

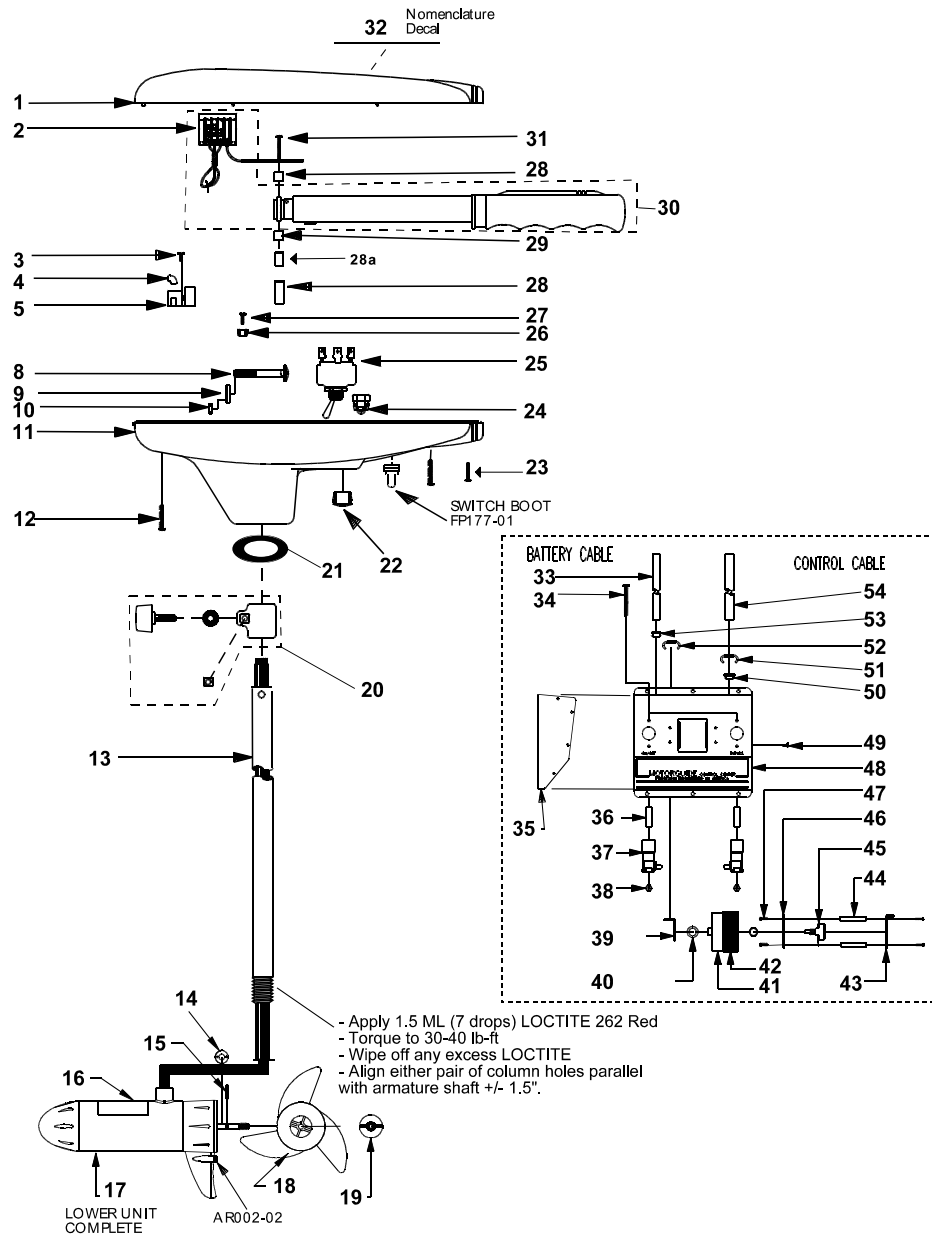
Model:
660V

SPECIFICATIONS:

Year of Intro 1999
 Thrust 60 LBS
 Volts 24VDC
 Amp Draw 0 to 33amps
 Mount 15 Bow
 Speeds Variable

QUICK REFERENCE PARTS GUIDE:

Foot Box Switch FP149-01
 MOSFET JF096-07
 DA Board JF157-02
 FOR/REV Switch FP153-06



MIKE'S REEL REPAIRS

PARTS AND SERVICE
 ROD & REEL REPAIRS
 TROLLING MOTORS
 MAIL ORDERS
 WARRANTY CENTRE
 FOR MOST MAJOR BRANDS

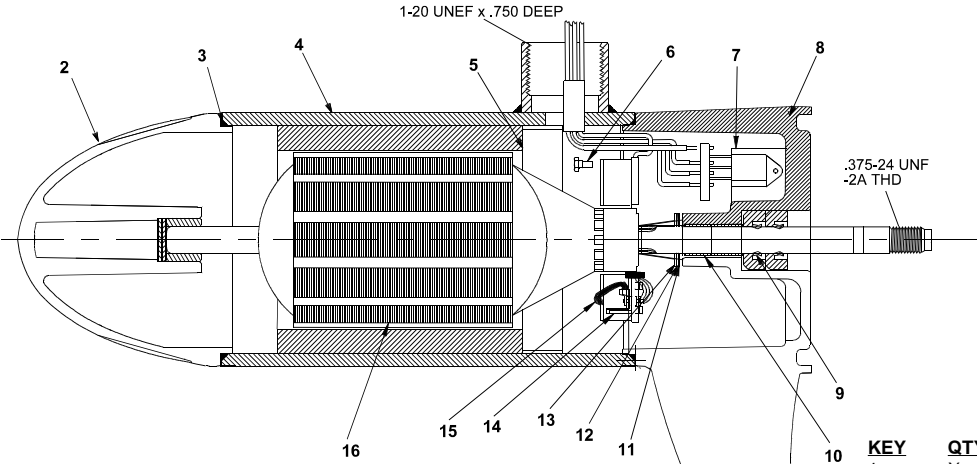
108 - 31060 Peardenville Rd., Abbotsford, BC V2T 6K5
 PH: 604.855.1119 FAX: 604-855.4090
 TOLL FREE: 1.888.404.1119
 orders@mikesreelrepair.com
 www.mikesreelrepair.com

KEY	DESCRIPTION	PART #	KEY	DESCRIPTION	PART #	KEY	DESCRIPTION	PART #
1	TOP HOUSING COVER BLACK	AT053-18	27	SCREW #10 X 1/2	RT133-03	52	RING CLAMP	AP040-01
2	AMP CONNECTOR	AP029-01	28	WIRE BRACKET	AT155-04	53	BUSHING, BATTERY CABLE	FP040-01
3	SELF TAPPING SCREW	AF141-01	28a	HANDLE BOSS BUSHING	AT022-01	54	CONTROL CABLE	FP327-04
4	INSULATING SLEEVE	AT080-01	29	RETAINER CLAMP	AR036-01			
5	DURA AMP BOARD	JF157-02	30	HANDLE ASY	AR372-11			
8	BOLT	TT134-01	31	8 X 1-3/8 SCREW	RT133-01			
9	CURVED WASHER	TT171-04	32	NOMENCLATURE	FR056-11			
10	NYLON LOCK NUT	XT098-02	33	BATTERY CABLE	FP328-03			
11	T/H BASE BLACK	AR004-14	34	SCREW	BK135-03			
12	SCREW #8 X 1"	LF141-04	35	FOOT BOX BASE	FP004-01			
13	COLUMN 42"	FR049-15	36	SPACER	MM1007-01			
	COLUMN 50"	FR049-13	37	FOOT SWITCH	FP149-01			
14	MONOFILAMENT WASHER	AR175-01	38	DISPLAY RAIL NUT	BK098-01			
15	PROP DRIVE PIN	BR102-01	39	SWITCH SUPPORT PLATE	FP155-01			
16	LOWER UNIT DECAL	AF060-04	40	NYLON WASHER	PP171-01			
17	H/O MOTOR	UF397-04	41	DECAL, ROTARY KNOB	AP057-07			
18	PROP	AF124-07	42	ROTARY KNOB	AP082-02			
19	PROP NUT	AR099-01	43	SWITCH SUPPORT PLATE	FP155-02			
20	DEPTH COLLAR ASY	AR158-01	44	SWITCH STANDOFF	AP102-02			
21	COLUMN SEAL	AT079-01	45	POTENTIOMETER	AP168-02			
22	HOLE PLUG	FP021-03	46	BUSHING	AP012-01			
23	SCREW	FR135-01	47	SCREW	BK136-01			
24	GROMMET	FP021-01	48	FOOT BOX COVER	FP353-03			
25	FWD/REV SWITCH 2 POSITIONS	FP153-06	49	SCREW	BK135-01			
26	ON SERT NUT	TT098-03	50	BUSHING, CONTROL CABLE	FP021-01			
			51	RING CLAMP	AP040-01			

ITEMS NOT SHOWN
 FOOT BOX ASY COMPLETE PP300-02

LOWER UNIT BREAKDOWN

Model:
660V



DIRECTION OF ROTATION IS COUNTER CLOCKWISE WHEN VIEWED FROM PROPELLER END WITH RED POSITIVE & BLACK NEGATIVE.

NOTE: TORQUE MOSFET BOLTS TO 35 TO 40 INCH LBS.

NOTE: TORQUE THRU BOLTS TO 40 TO 50 INCH LBS.

KEY	QTY	DESCRIPTION	PART NO.
1	X	MOTOR	UF397-04
2	1	NOSE CAP	XF3212-01
3	2	O RING SEAL	MR217-01
4	1	HOUSING ASY	UF3210-01
5	1	RETAINER	JF233-01
6	2	BRUSH CARD SCREW	MR228-01
7	1	DURA AMP MODULE	JF096-07
8	1	COMM CAP	UF3205-04
9	2	SHAFT SEAL	MR223-01
10	1	BEARING	MR206-01
11	1	NYLATRON WASHER	MR226-01
12	1	WASHER	MR227-01
13	1	E RING	MR219-02
14	2	BRUSH SPRINGS	MR214-02
15	1	BRUSH ASY LESS SPRING	UF3201-04
16	1	ARMATURE	UF3207-01
17	4	STATIC SEAL	MR222-01
18	4	THRU BOLT WASHER	MR216-01
19	2	DURA AMP SCREW	MR229-04
20	2	THRU BOLT	MR218-02

WIRING

