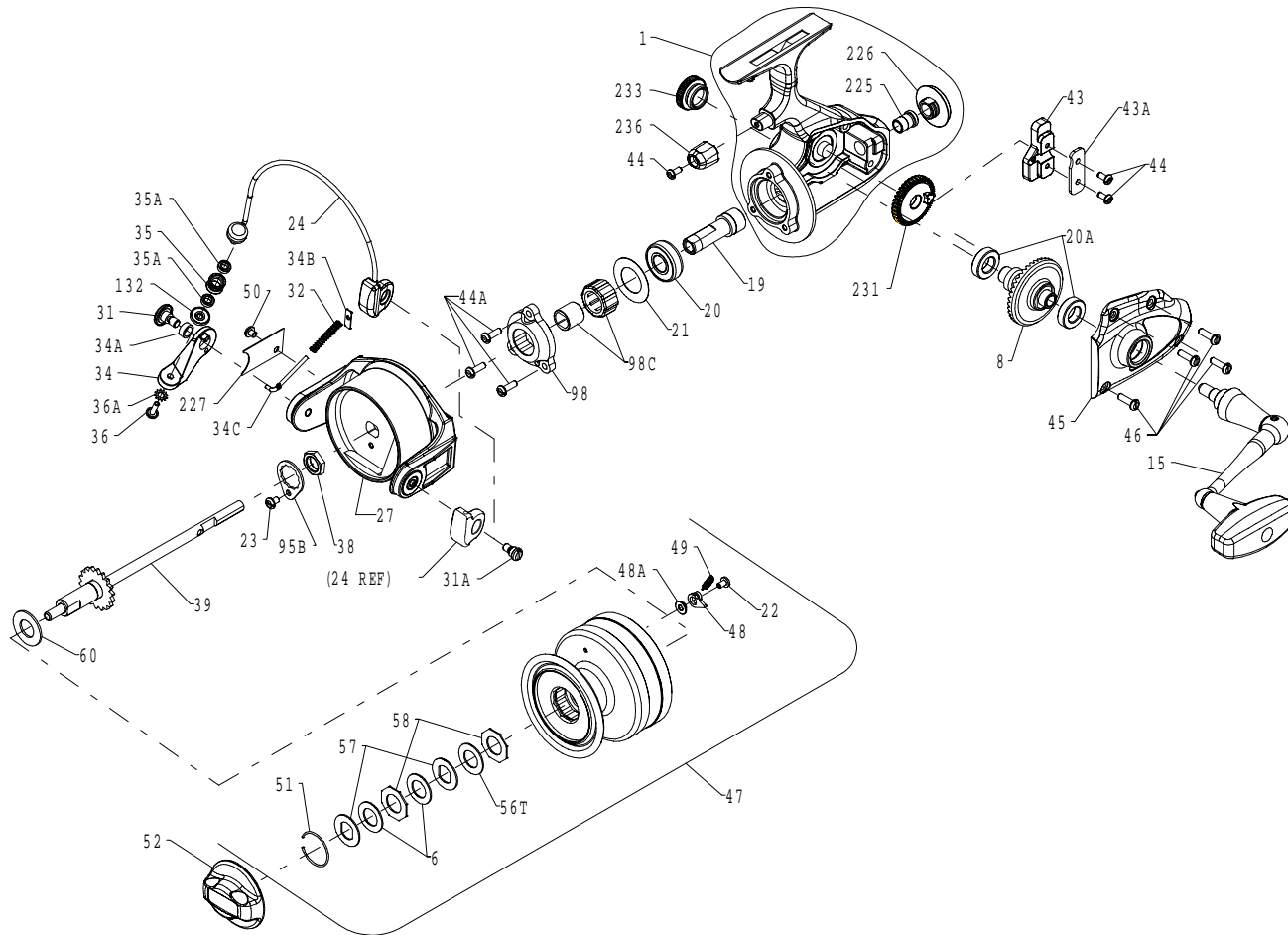


PENN PARTS LIST FOR MODEL 650SSM



<u>KEY NO.</u>	<u>PART NO.</u>	<u>DESCRIPTION</u>
1	001 650M	Housing Assembly
6	006 155	Drag Washer HT-100 (2) Req.
8	008N6500	Main Gear Assembly
15	015N650M	Handle Assembly
19	019 650M	Pinion Gear
20	020 704	Ball Bearing
20A	020 6500	Ball Bearing (2) Req.
21	021 750M	Bearing Cover
22	048B750M	Spool Click Screw
23	023 750	Rotor Locking Plate Screw
24	024 650M	Bail Wire Assembly
27	027 650M	Rotor
31	031 750M	Bail Arm Screw
31A	031A550G	Bail Cam Screw
32	032 750M	Bail Spring
34	034 750M	Bail Arm
34A	034A750	Bail Arm Bushing
34B	034B750M	Pivot Plate
34C	034C750M	Pivot Arm
35	035 750M	Line Roller
35A	035A8500J	Ball Bearing (2) Req.
36	036 750	Bail Stud Screw
36A	036A750	Lock Washer
38	038 710	Rotor Nut
39	039 650M	Crosswind Shaft Assembly
43	043 750M	Crosswind Block
43A	043A750	Crosswind Block Plate
44	044 750	Screw (3) Req.
44A	044 710	Screw (3) Req.
45	045 650M	Housing Cover Assembly
46	046 750	Screw (4) Req.
47	047 650M	Spool Assembly
48	048 750	Click Tongue
48A	048A750	Click Tongue Washer
49	049 710	Click Tongue Spring
50	050 712	Bail Spring Cover Screw
51	051 650	Retaining Ring
52	052 650	Drag Knob Assembly
56T	056T650	Drag Washer, Teflon
57	057 650	Drag Washer, Keyed (2) Req.
58	058 650	Drag Washer, Octagon (2) Req.
60	060 750M	Thrust Washer
95B	095B070	Rotor Locking Plate
98	098 750M	Clutch Housing
98C	098C750M	Clutch Bearing and Sleeve
132	132 750M	Roller Washer
225	225 750	Crosswind Shaft Bushing
226	226 750M	Rear Cap
227	227 750M	Bail Spring Cover
231	231 650M	Crosswind Gear
233	233 550G	Bearing Cover
236	236 750M	Trip Bumper