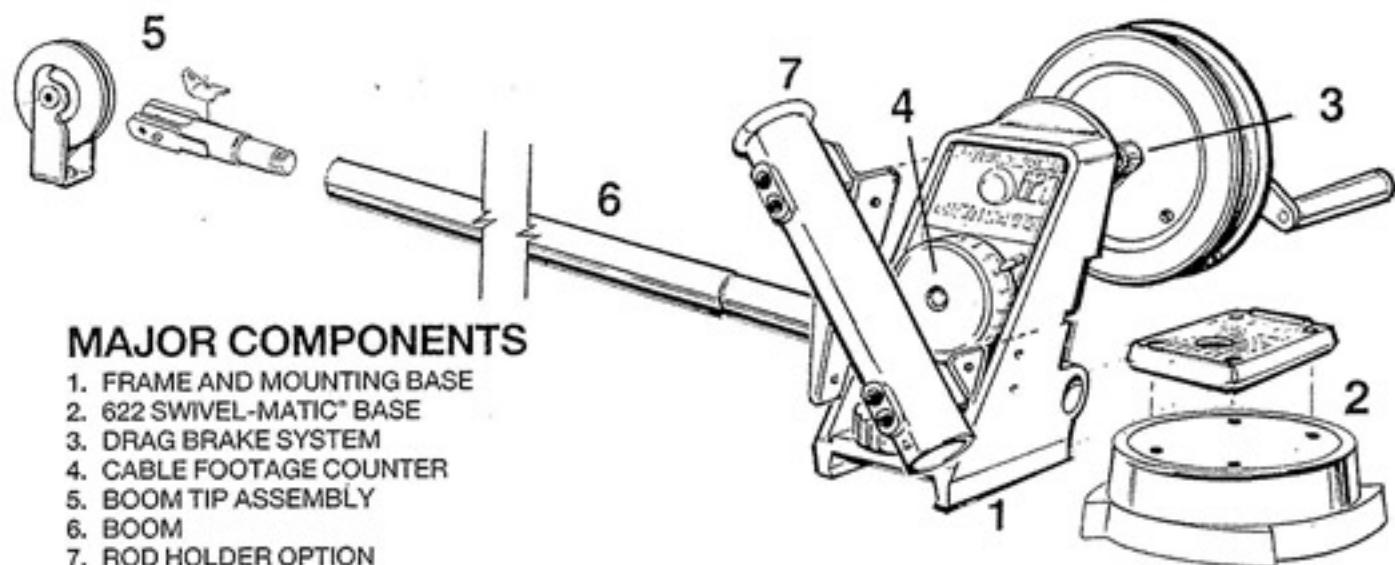


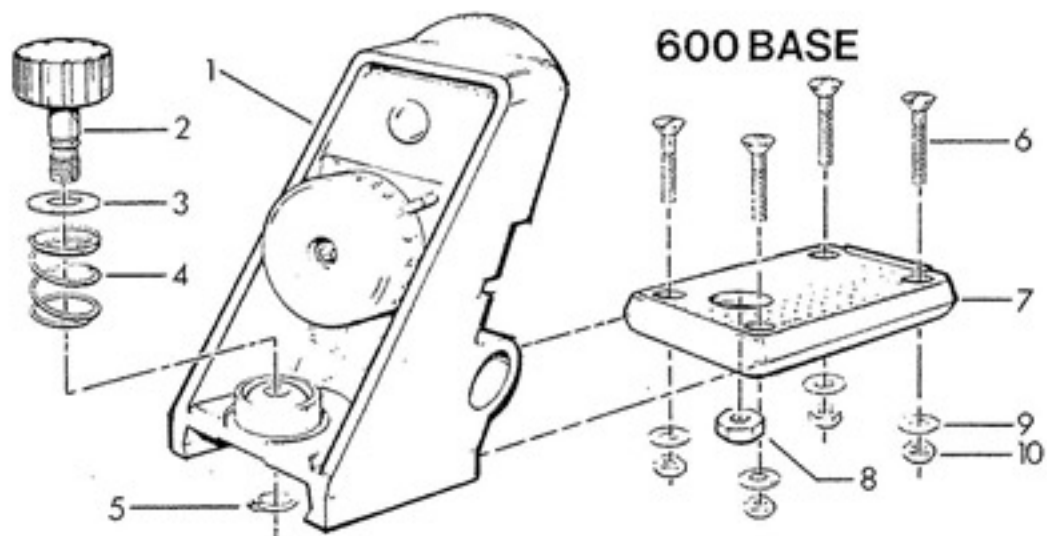
FATHOM-MASTER® PARTS & ASSEMBLY GUIDE



MAJOR COMPONENTS

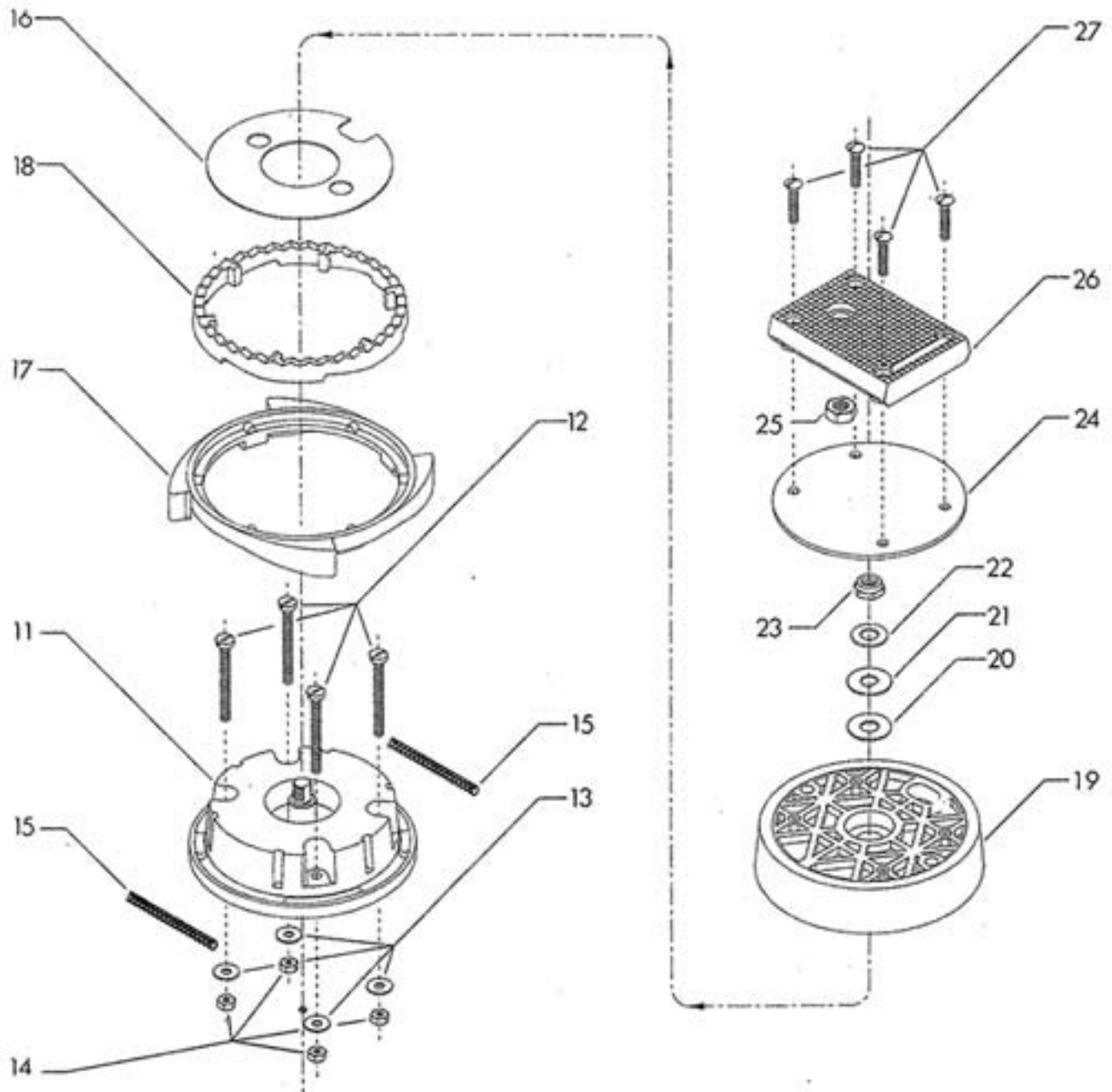
1. FRAME AND MOUNTING BASE
2. 622 SWIVEL-MATIC® BASE
3. DRAG BRAKE SYSTEM
4. CABLE FOOTAGE COUNTER
5. BOOM TIP ASSEMBLY
6. BOOM
7. ROD HOLDER OPTION

FRAME AND MOUNTING BASE



KEY NO.	DESCRIPTION	PART NO.
1	FRAME	132-600
2	HOLD DOWN KNOB	184-600
3	HOLD DOWN KNOB WASHER	206-600
4	HOLD DOWN KNOB SPRING	192-600
5	HOLD DOWN RETAINING RING	195-600
6	MOUNTING SCREW (4)	209-600
7	BASE PLATE	133-600
8	BASE PLATE NUT	193-600
9	SWIVEL BASE WASHER (4)	220-600
10	SWIVEL BASE NUT (4)	211-600

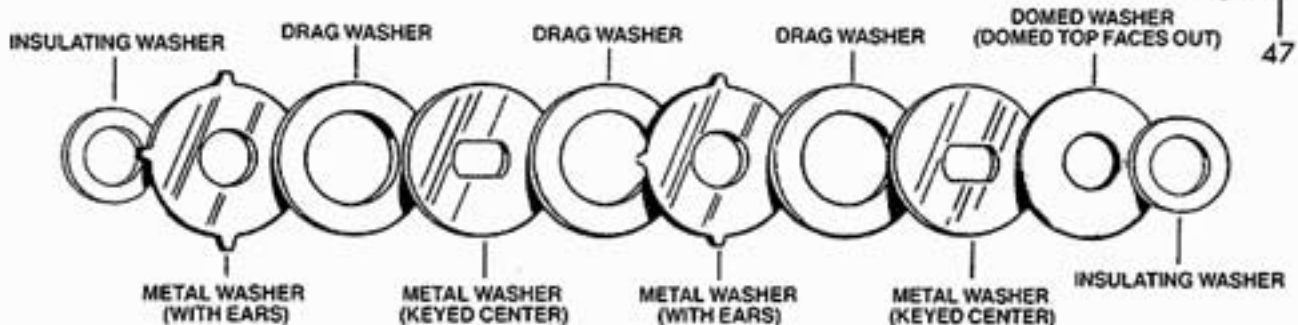
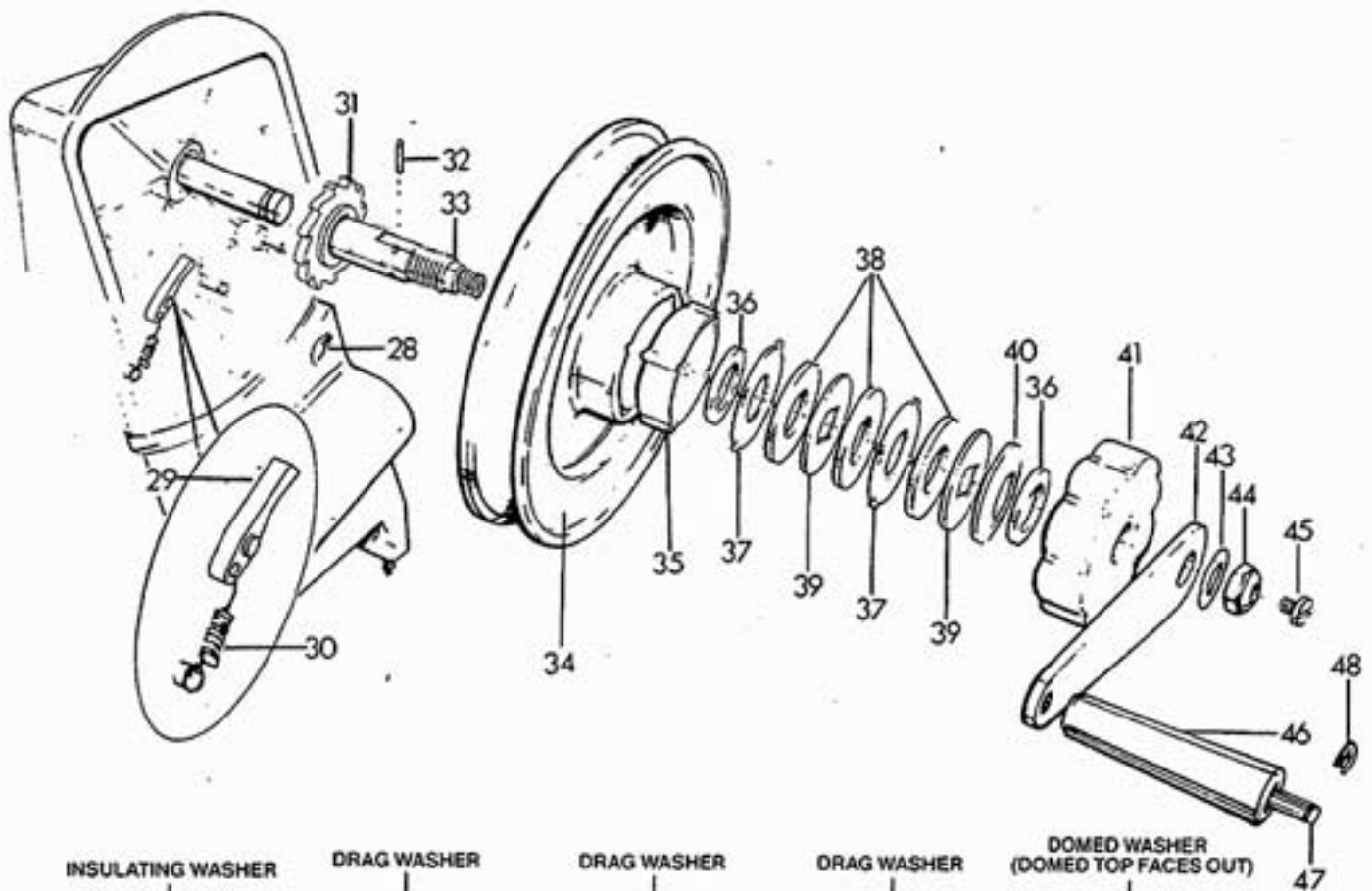
622 SWIVEL-MATIC BASE



KEY NO.	DESCRIPTION	PART NO.
11	SWIVEL BASE BOTTOM	238-622
12	SWIVEL BASE MOUNTING SCREW (4)	250-620
13	MOUNTING SCREW WASHER (4)	220-600
14	MOUNTING SCREW NUT (4)	211-600
15	RETURN SPRING (2)	14-622
16	SWIVEL BASE WASHER	240-622
17	ADJUSTING RING	238A-622
18	LOCKING RING	237A-622

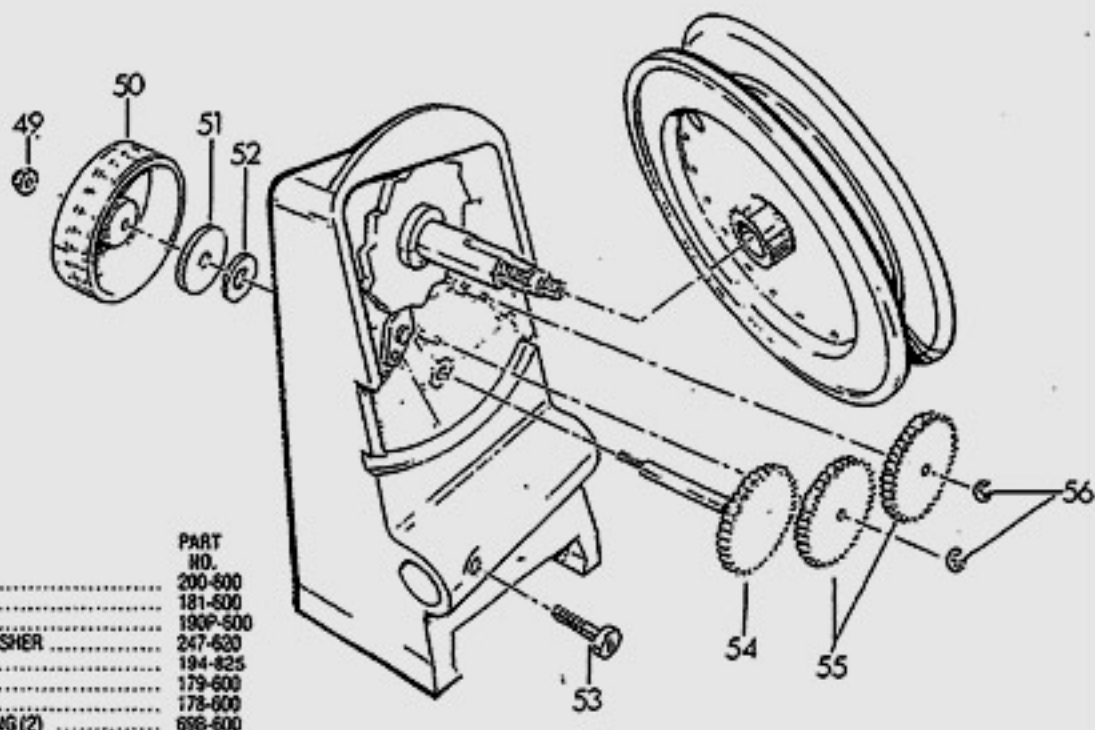
19	SWIVEL BASE TOP	237-622
20	SWIVEL DRAG WASHER	249-620
21	METAL DRAG WASHER	241-620
22	TENSION WASHER	18-970
23	LOCK NUT	23-130
24	SWIVEL BASE COVER	239-620
25	BASE PLATE NUT	193-600
26	BASE PLATE	133-600
27	BASE PLATE MOUNTING SCREW (4)	209-620

DRAG BRAKE SYSTEM



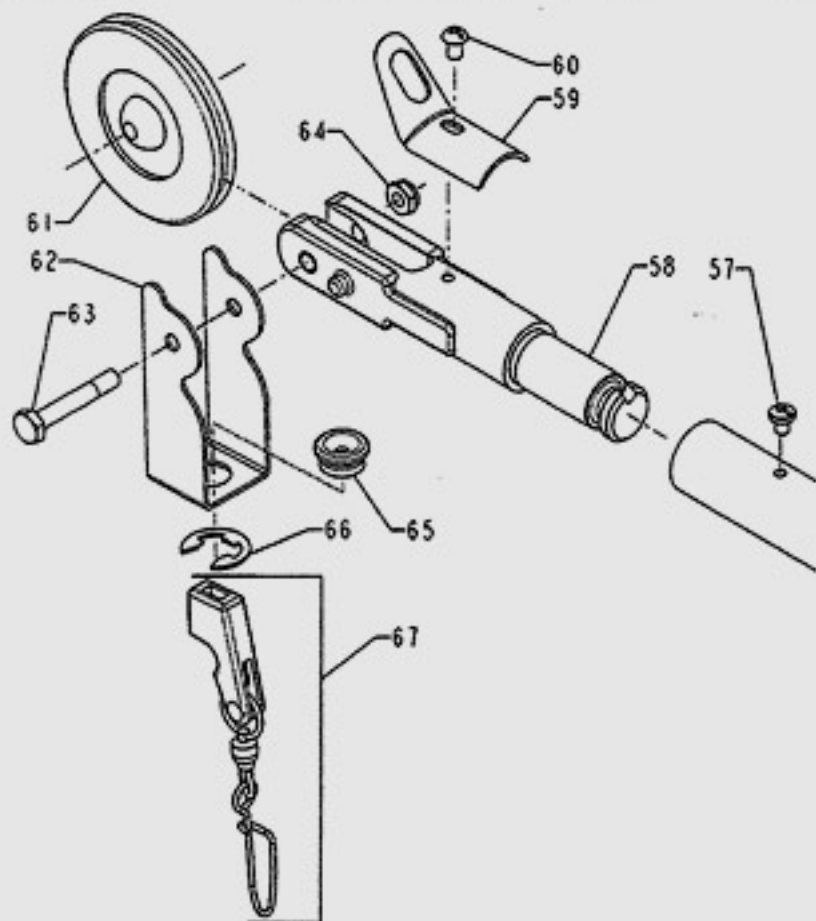
KEY NO.	DESCRIPTION	PART NO.
28	RETAINING RING	196-600
29	DOG RATCHET	15-625
30	DOG SPRING	14-600
31	RATCHET	81A-625
32	PIN-MAIN SLEEVE	102-600
33	MAIN SLEEVE	98A-600
34	SPOOL	29-800
35	THERMAL INSULATOR	191-836
36	INSULATING WASHER (2)	199P-600
37	EAR WASHER (2)	7-836
38	DRAG WASHER (3)	6P-600
39	KEY WASHER (2)	86-600
40	DOMED WASHER	8-600
41	DRAG CONTROL KNOB	10-600
42	HANDLE	24-600
43	HANDLE WASHER	198-600
44	HANDLE LOCK NUT	23-130
45	HANDLE SCREW	23-85
46	HANDLE KNOB	25-600
47	HANDLE KNOB SHAFT	91-600
48	C-RING	59-600

CABLE FOOTAGE COUNTER



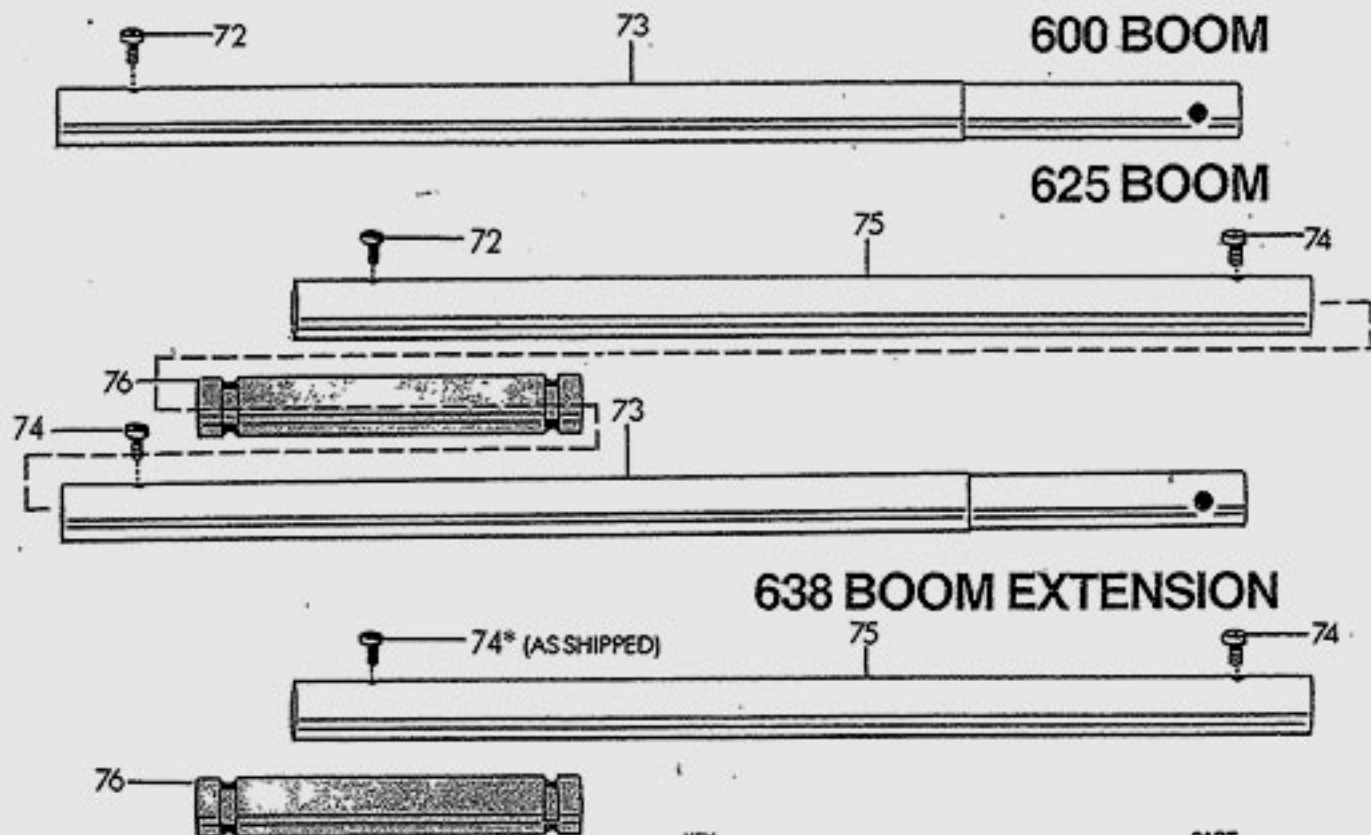
KEY NO.	DESCRIPTION	PART NO.
49	COUNTER CUP LOCK NUT	200-600
50	COUNTER CUP	181-600
51	COUNTER CUP WASHER	190P-600
52	COUNTER CUP THRUST WASHER	247-620
53	BOOM SCREW	194-825
54	COUNTER CUP GEAR	179-600
55	IDLER GEAR (2)	178-600
56	IDLER GEAR RETAINING RING (2)	698-600

BOOM TIP ASSEMBLY



NOTE: Penn's new one piece boom tip allows easy insertion and removal of the boom tip, without removing the boom tip screw (key #57). Align slot in boom tip stud with boom tip screw, insert boom tip and rotate halfway (180°) to normal troling position. This feature, along with the new thumb screw securing the boom to the unit, allows the boom assembly to be easily broken down for storage or transportation.

KEY NO.	DESCRIPTION	PART NO.
57	BOOM TIP SCREW	204P-600
58	BOOM TIP	218-600
59	LINE GUIDE	223-836
60	LINE GUIDE SCREW	204R-820
61	BOOM PULLEY	180-600
62	LINE GUIDE BRACKET	201-620
63	BOOM PULLEY SCREW	182-800
64	BOOM PULLEY NUT	208-815
65	LINE GUIDE SLEEVE	202-600
66	RETAINING RING	203-600
67	CABLE HARDWARE	213-825



*USE KEY #74 AT THE END OF BOTTOM BOOM AND REPLACE WITH #72 WHICH CAME WITH ORIGINAL 2 FT BOOM.

KEY NO.	DESCRIPTION	PART NO.
72	BOOM TIP SCREW	204P-600
73	BOOM BOTTOM	183-800
74	BOOM EXTENSION SCREW (2)	204P-620
75	BOOM EXTENSION	183-820
76	BOOM STUD (CENTER)	219-820

Fathom-Master Accessories

For Downrigger Fishing

Fathom-Master® Rod Holder 610RH

Rod holders for attaching to either 600 or 620 models are available as accessory.

KEY NO.	REPLACEMENT PARTS	PART NO.
1	ROD HOLDER TUBE	256-610
2	MOUNTING BOLTS (7)	267A-610
3	SELF-LOCKING NUTS (8)	208-600
4	FORWARD BRACKET	258-610
5	REAR BRACKET	259-610
6	BACKING PLATES (2)	265-610
7	FLAT WASHERS (4)	182-610
8	GIMBAL BOLT	260-610
9	RETAINING RING (2)	196-600
10	LONG MOUNTING BOLT	267-815

