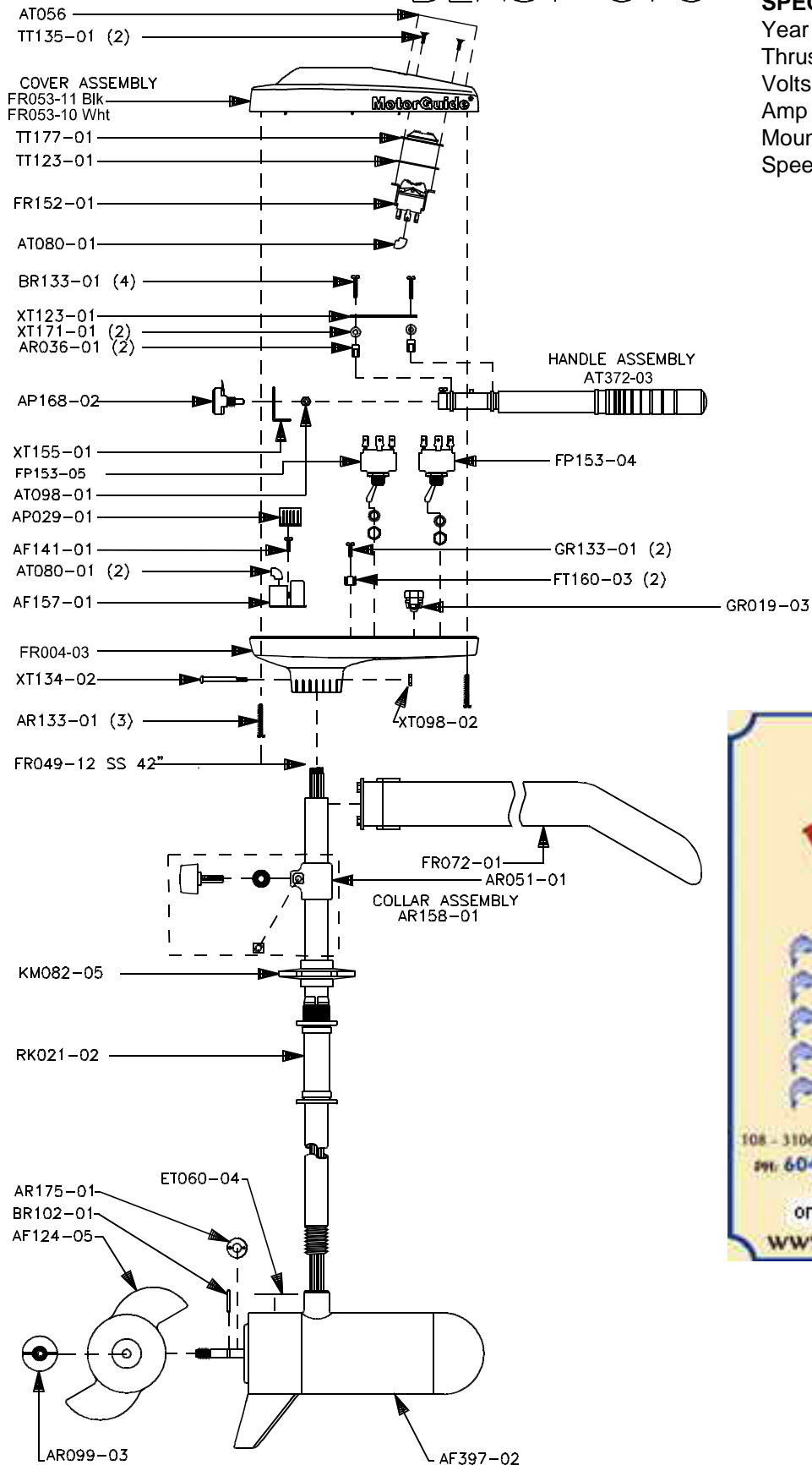


# MotorGuide® REPAIR PARTS

Model:  
**575**

BEAST 575



## SPECIFICATIONS:

Year of Intro	1994
Thrust	65LBS
Volts	24/36VDC
Amp Draw	0 to 29 amps
Mount	20 Bow
Speeds	Variable

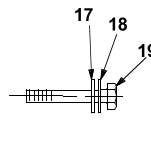
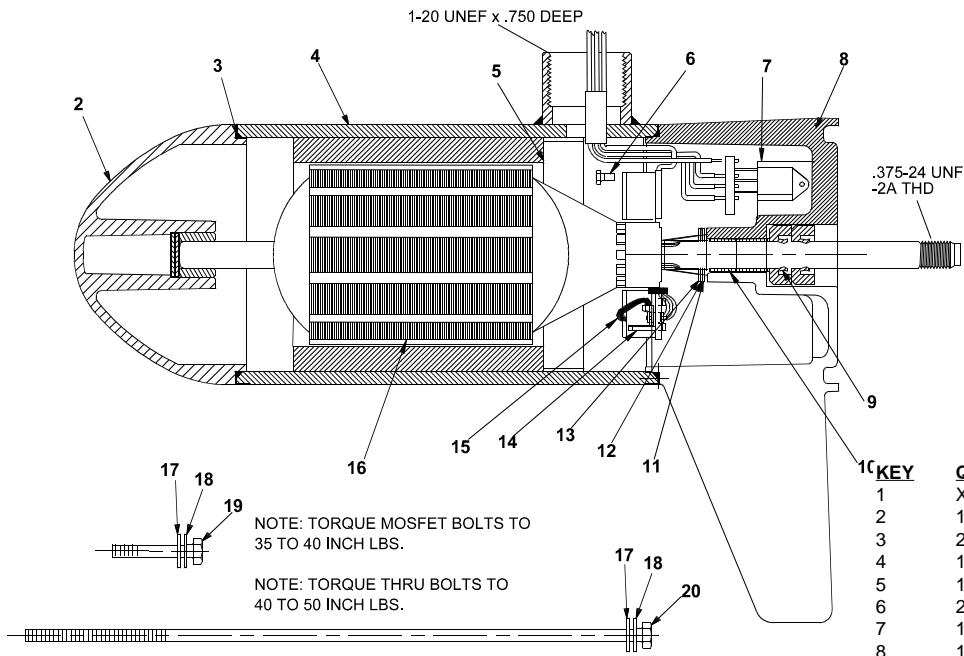
**MIKE'S REEL REPAIRS**

- PARTS AND SERVICE
- ROD & REEL REPAIRS
- TROLLING MOTORS
- MAIL ORDERS
- WARRANTY CENTRE FOR MOST MAJOR BRANDS

108 - 31060 Peardonville Rd., Abbotsford, BC V2T 6K5  
 PH: 604.855.1119 FAX: 604-855.4090  
 TOLL FREE: 1.888.404.1119  
 orders@mikesreelrepair.com  
 www.mikesreelrepair.com

# LOWER UNIT BREAKDOWN

Model:  
**575**



NOTE: TORQUE MOSFET BOLTS TO 35 TO 40 INCH LBS.

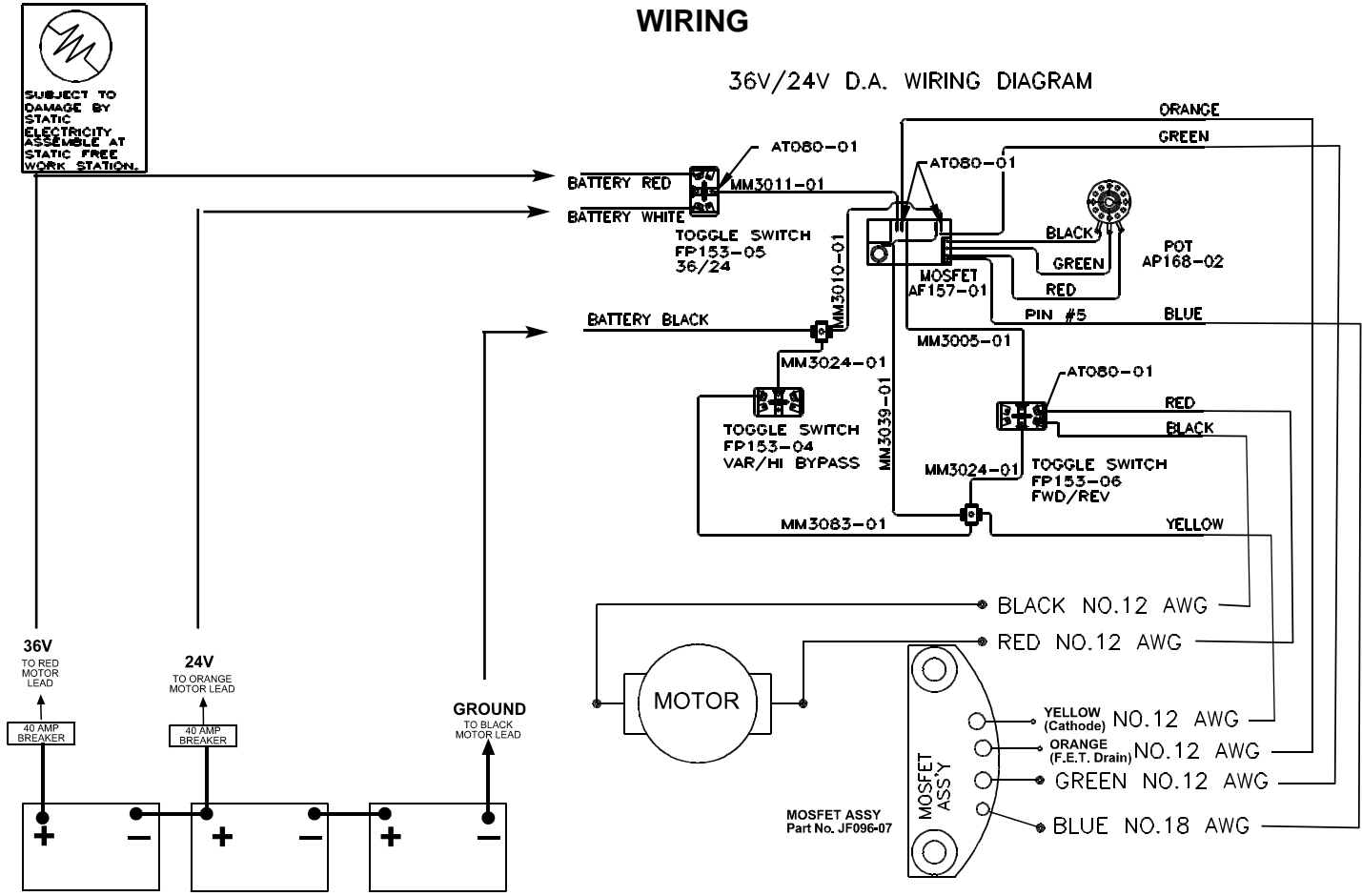
NOTE: TORQUE THRU BOLTS TO 40 TO 50 INCH LBS.

DIRECTION OF ROTATION IS COUNTER CLOCKWISE WHEN VIEWED FROM PROPELLER END WITH RED POSITIVE & BLACK NEGATIVE.

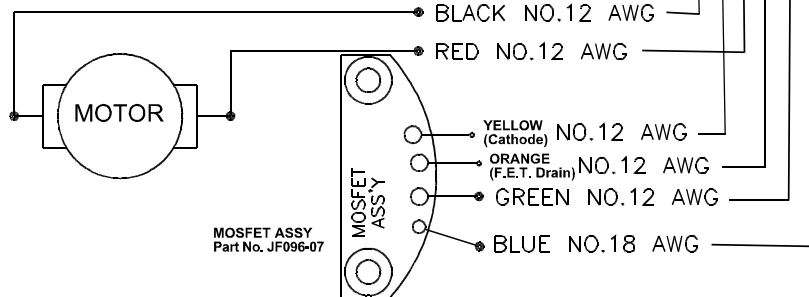
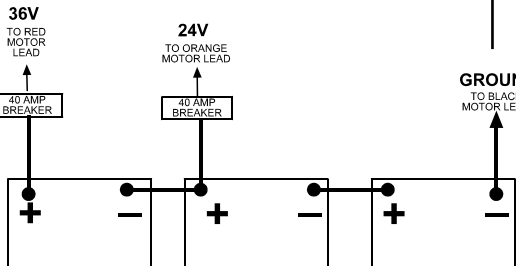
KEY	QTY	DESCRIPTION	PART NO.
1	X	MOTOR	AF397-02
2	1	NOSE CAP	JF3212-01
3	2	O RING SEAL	MR217-01
4	1	HOUSING ASY	AF3210-01
5	1	RETAINER	JF233-01
6	2	BRUSH CARD SCREW	MR228-01
7	1	DURA AMP MODULE	JF096-07
8	1	COMM CAP	JF3205-04
9	2	SHAFT SEAL	MR223-01
10	1	BEARING	MR206-01
11	1	NYLATRON WASHER	MR226-01
12	1	WASHER	MR227-01
13	1	E RING	MR219-02
14	2	BRUSH SPRINGS	MR214-02
15	1	BRUSH ASY LESS SPRING	AF3201-04
16	1	ARMATURE 3.5"	AF3207-01
17	4	STATIC SEAL	MR222-01
18	4	THRU BOLT WASHER	MR216-01
19	2	DURA AMP SCREW	MR229-04
20	2	THRU BOLT	MR218-11

## WIRING

36V/24V D.A. WIRING DIAGRAM



SUBJECT TO DAMAGE BY STATIC ELECTRICITY ASSEMBLE AT STATIC FREE WORK STATION.



MOSFET ASSY Part No. JF096-07