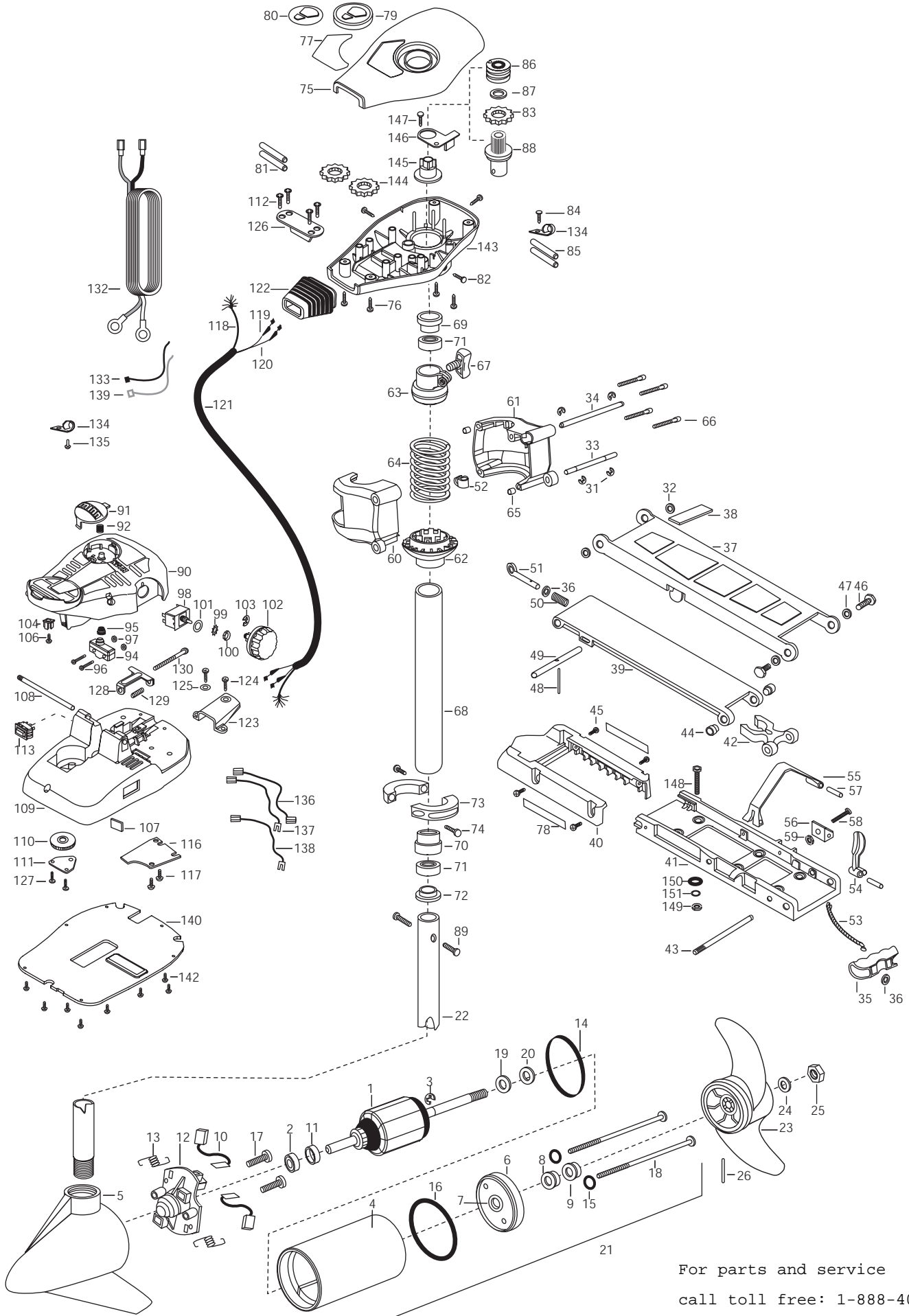


55AT  
 55 lbs Thrust  
 12Volts  
 42" or 52" Shaft

For parts and service  
 call toll free: 1-888-404-1119  
 www.mikesreelrepair.com



For parts and service  
 call toll free: 1-888-404-1119  
 www.mikesreelrepair.com

1	92-100-013	ARMATURE ASSEMBLY 12V 3.625 55#	52	2262310	GUIDE-ROPE	99	2261701	LOCKWASHER -STAR
2	140-010	BEARING-BALL	53	2251600	ROPE- 31'	100	2263105	NUT-HEX 3/8-24 JAM
3	788-015	RETAINING RING	54	2267200	LATCH LEVER	101	2261715	SPACER-SWITCH 5 SP MODELS
4	431-005	CENTER HOUSING ASSEMBLY	55	2263800	STRAP-HOLD DOWN	102	2260170	KNOB-SPEED CONTROL 5 SPD
5	2-300-196	BRUSH END HOUSING ASSEMBLY 3.625 SPD CO	56	2261910	BRACKET HOLD DOWN STRAP	103	2263000	E-RING TRU-ARC
6	2-400-101	PLAIN END HOUSINGASSEMBLY 3.625	57	2260500	PIN-ROLL LATCH LEVER [2.EA]	104	2260730	CONNECTOR 1/4 MALE TAB
7	144-049	BEARING- FLANGE SERVICE ONLY	58	2263440	SCREW-10-24 X 3/4	106	2332103	SCREW-6-20 X 3/8 THD SS
8	880-003	**SEAL	59	2333101	NUT-HEX 10-24 NYLOC	107	2266413	TENSION SCREW PLATE- FTPED
9	880-006	**SEAL-W/SHIELD	■	2991944	BOWGURAD ASSEMBLY	108	2060511	PIN- PIVOT A/T FT PDL
10	188-036	BRUSH ASSEMBLY [2.EA]	60	2261981	BRACKET BASE-LEFT	109	2992102	FT PED BASE/PIN ASSEMBLY
11	725-050	TUBE- BRUSH RETENTION	61	2261986	BRACKET BASE-RGHT	110	2262301	PULLEY FOOT PEDAL
12	738-036	BRUSH PLATE WITH HOLDER	62	2261535	SPRING SLEEVE, LOWER	111	2266400	COVER-PULLEY STAMPING
13	975-040	SPRING- TORSION [2.EA]	63	2261525	SPRING-SLEEVE UPPER	112	2223430	SCREW #8X3/4 PPH TYPE 25 [4.EA]
14	337-036	**GASKET	64	2262712	SPRING, BOWGUARD, NIK PL	113	2254031	SWITCH-MOM/OFF/COM
15	701-008	**O-RING THRU BOLT [2.EA]	65	2267300	BUSHING-DOWEL [2.EA]	116	2266412	SWITCH PLATE, FT PEDAL
16	701-081	**O-RING	66	2263470	SCREW-1/4-20 X 1-3/4 SS [4.EA]	117	2332103	SCREW-6-20 X 3/8 THD SS [2.EA]
17	830-007	#8-32 SCREW [2.EA]	67	2011365	SCREW-COLLAR/NEW KNOB	118	2261208	WIRE HARNESS, A/T FT. PED
18	830-008	THRU BOLT 10-32X9.205 [2.EA]	■	2992015	TUBE W/BEARING RACE ASSEMBLY 18"	119	2267500	CABLE ASSEMBLY-RIGHT 5'
19	990-067	WASHER- STEEL THRUST		2992016	TUBE W/BEARING RACE ASSEMBLY 24"	120	2267510	CABLE ASSEMBLY-LEFT 5'
20	990-070	WASHER-NYLATRON [2.EA]	68	2272066	TUBE OUTER-18" 4 HOLES	121	2265430	CABLE JACKET 5"
21	2099092	MOTOR ASSEMBLY 12V 3.625 5SPD FW 55#		2272067	TUBE OUTER-24' 4 HOLES	122	2265110	BOOT-CONTROL BOX
22	2032063	TUBE- COMPW/CSK HOLE-42"	69	2266260	BEARING RACE	123	2265115	BOOT-FOOT PEDAL BASE
	2032067	TUBE- COMPW/CSK HOLE-52"	70	2266220	BEARING RACE-STEEL	124	2372100	SCREW-8-18 X 5/8 THD [2.EA]
■	1378122	PROPELLER KIT	71	2266000	BEARING BALL-STEEL [2.EA]	125	2261714	WASHER-MAXXUM FT PDL [2.EA]
23	2091150	PROPELLER- W/WEDGE	72	2266115	BEARING CONE	126	2261901	BRACKET-CONDUIT AT/MAX
24	2151726	WASHER- 5/16 SS	73	2261619	COLLAR HALF-ZINC-2 PER	127	2301310	SCREW-8-18 X 1/2 [2.EA]
25	2053101	NUT-PROP NYLOC MEDIUM	74	2263452	SCREW-1/4-20 X 3/4 [2.EA]	128	2263210	BRACKET-CONDUIT ADJUSMENT
26	2092600	PIN-DRIVE 95-4HP'S	75	2260284	COVER- CONTROL BOX AT/FC BLK	129	2262720	SPRING-CONDUIT ADJUSTMENT
31	2263010	E-RING 3/8 DIA. SHAFT [4.EA]	76	2372100	SCREW-8-18 X 5/8 THD SS [4.EA]	130	2263463	SCREW-1/4-20 X 2 STL PPH
32	2293500	BUSHING-SHOULDER UPPER ARM [2.EA]	77	2265654	DECAL-COVER 55AT/ F BLK	132	2261225	LEADWIRE BATTERY
33	2260530	HINGE PIN-LOWER SS	78	2265631	DECAL- MOTOR REST [2.EA]	133	2256300	TIE WRAP-5.5' BLACK
34	2260520	HINGE PIN-UPPER	79	2260150	POINTER DISC TRNSLCNT RED	134	2263201	CLAMP WIRE HARNESS MICRO [2.EA]
35	2150400	PULL-GRIP	80	2265800	DECAL-INDICATOR	135	2332103	SCREW-6-20 X 3/8 THD SS
36	2151700	WASHER-EYE SHAFT.562 OD	81	2375400	SHRINK TUBE-1/4OD X 1-3/4 [2.EA]	136	2260301	CONNECTING WIRE SWITCH
■	2771987	BOW MOUNT ASSEMBLY w/BOWGUARD 360	82	2053414	SCREW-#8-32 X 1/2 TRI-LOBE [3.EA]	137	2260312	WIRE,BLK W/WHT STRP 19 1/2"
37	2264221	ARM-UPPER STD FW	83	2267800	GEAR-INDICATOR	138	2260322	WIRE,BLK W/BLUE STRP-12"
38	2265120	BUMPER- UPPER ARM	84	2301310	SCREW-8-18 X 1/2	139	2256301	TIE WRAP-5.5' WHITE
39	2254353	ARM- LWR FW MCHD	85	2355410	SHRINK TUBE-3/8 OD X 2 [2.EA]	140	2266414	BOTTOM PLATE MAX FOOTPEDAL
40	2263900	MOTOR REST AT	86	2232360	PULLEY-CABLE DRUM	142	9953104	SCREW-8 X 1/2 S/S [8.EA]
41	2251922	BOW PLATE-D/C MCHD	87	2261730	WASHER-NYLON A/T CON B	143	2262535	CONTROL BOX-PLASTIC A/Ts
42	2293801	TUBE LOCK-D	88	2776246	TOP BEARING RACE /PINION DRIVE	144	2267800	GEAR-INDICATOR [2.EA]
43	2260506	HINGE-PIN HEADLESS ZINC	89	2263410	SCREW-8-32 X 5/16 ZN PL [2.EA]	145	2262220	INDICATOR-DRIVE
44	2236000	BEARING NYLINER- [2.EA]	90	2790002	FOOT PEDAL/PLUG ASSEMBLY AT	146	2261905	BRACKET/INDICATOR
45	2303431	SCREW 1/4-20X5/8 PPH [4.EA]	91	2263700	PUSH-BUTTON FOOT PEDAL	147	2301310	SCREW-8-18 X 1/2 SS
46	2293511	BOLT-UPPER ARM W/LOCTITE [2.EA]	92	2302732	SPRING-LOWER PEDAL SS	■	2994838	BAG ASSEMBLY-BOLTS,NUTS,WASHER
47	2293500	BUSHING-SHOULDER UPPER ARM [2.EA]	94	2264020	SWITCH MOMENTARY	*148	2263462	SCREW- 14-20X2 SS [6.EA]
48	2152610	SPRING-PIN LOCKBAR	95	2265140	BOOT-MICROSWITCH	*149	2153103	NUT- 1/4-20NYLOC JAM [6.EA]
49	2233600	LOCK BAR- BOW MOUNT	96	2262114	SCREW-MOUNTING/SWITCH [2.EA]	*150	2301720	WASHER- MOUNTING RUBBER [6.EA]
50	2152700	SPRING-LOCKBAR CAD.PLTD	97	2233100	NUT-SWITCH MOUNT [2.EA]	*151	2261713	WASHER- 1/4 FLAT 18-18 [6.EA]
51	2153600	EYE SHAFT-CAD.PLATE	98	2264026	SWITCH-5 SPEED AT			

**\*\*Seal & Oring Kit P/N 2888460**

\* This item is part of an assembly. This item cannot be sold separately due to machining and /or assembly that is required.

P/N 2264953 REV.A 9-01

For parts and service

call toll free: 1-888-404-1119

www.mikesreelrepair.com

