

MotorGuide® REPAIR PARTS

Model:
543

SPECIFICATIONS:

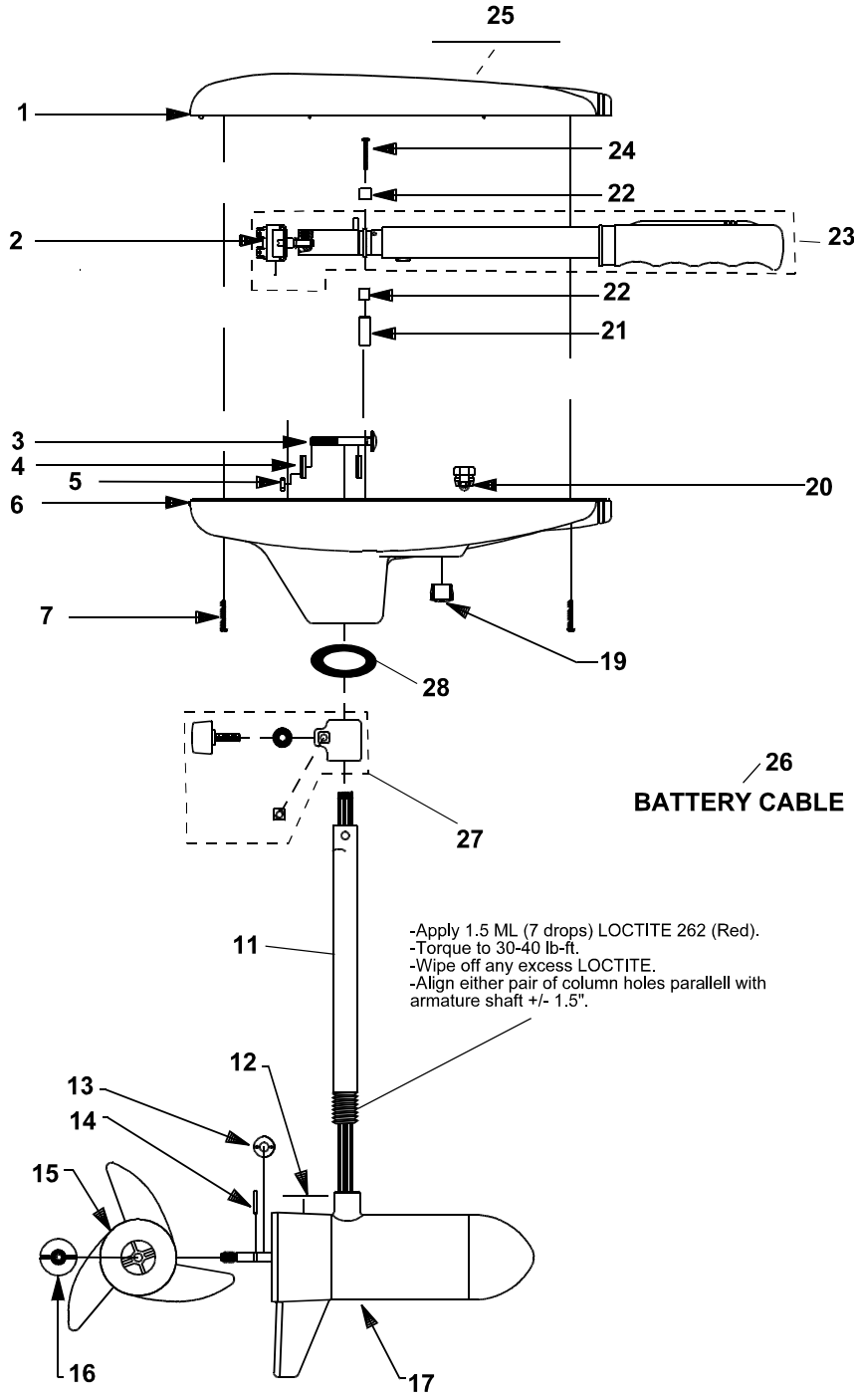
Year of Intro	2000
Thrust	43LBS
Volts	12VDC
Amp Draw	0 to 48 amps
Mount	15 Bow
Speeds	5 Fwd/2 Rev

PARTS ORDERING & TECH ASSISTANCE

MIKE'S REEL REPAIRS

- PARTS AND SERVICE
- ROD & REEL REPAIRS
- TROLLING MOTORS
- MAIL ORDERS
- WARRANTY CENTRE FOR MOST MAJOR BRANDS

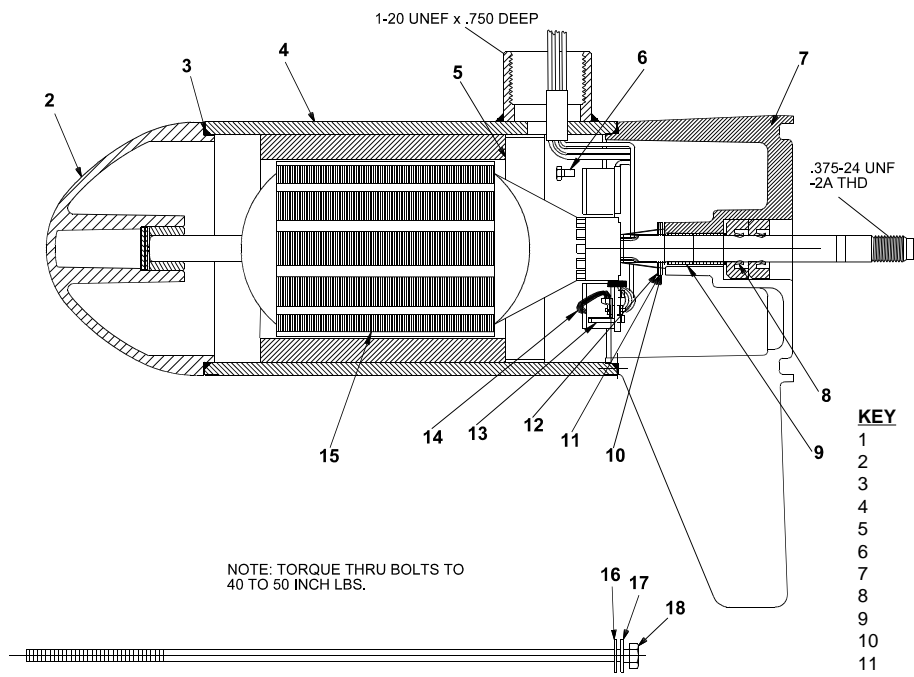
108 - 31060 Peardomville Rd., Abbotsford, BC V2T 6K5
 PH: 604.855.1119 FAX: 604-855.4090
 TOLL FREE: 1.888.404.1119
 orders@mikesreelrepair.com
 www.mikesreelrepair.com



KEY	DESCRIPTION	PART #	KEY	DESCRIPTION	PART #
1	COVER WHITE	AT053-17	15	PROP/3 BLADE	AF124-10
	COVER BLACK	AT053-18	16	PROP NUT	AR099-01
2	ROTARY SWITCH	KT150-02	17	MOTOR	EF397-03
3	BOLT	TT134-01	18	DEPTH ADJUSTMENT COLLAR	AR051-01
4	CURVED WASHER	TT171-04	19	1/2" HOLE PLUG	FP021-03
5	NYLON LOCK NUT	XT098-02	20	GROMMET	GR019-03
6	T/H BASE WHITE	AR004-13	21	WIRE BRACKET	AT155-04
	T/H BASE BLACK	AR004-14	22	RETAINER CLAMP	AR036-01
7	SCREW #8 X 1"	LF141-04	23	5 SPEED HANDLE ASY 96-97	BT372-08
8			24	8 X 1-3/8 SCREW	AR133-01
9			25	NOMENCLATURE	CT056-08
10			26	BATTERY CABLE	BT328-03
11	42" SS H/O COLUMN	FR049-15	27	DEPTH COLLAR ASY	AR158-01
	50" SS H/O COLUMN	FR049-13	28	COLUMN SEAL	AT079-01
12	MARINE LOWER UNIT DECAL	AF060-04			
13	MONOFILAMENT WASHER	AR175-01			
14	PROP DRIVE PIN	BR102-01			

LOWER UNIT BREAKDOWN

Model:
543



KEY	QTY	DESCRIPTION	PART NO.
1	X	MOTOR	EF397-03
2	1	NOSE CAP	JF3212-01
3	2	O RING	
4	1	HOUSING	
5	1	RETAINER	
6	2	BRUSHES	
7	1	COMB	
8	2	SHAFTS	
9	1	BEARING	
10	1	NYLON	
11	1	WASHER	
12	1	E RING	
13	2	BRUSHES	
14	1	BRUSH	
15	1	ARM	
16	4	STAPLES	
17	4	THROTTLE	
18	2	THRUST	

MIKE'S REEL REPAIRS

PARTS AND SERVICE
ROD & REEL REPAIRS
TROLLING MOTORS
MAIL ORDERS
WARRANTY CENTRE
FOR MOST MAJOR BRANDS

108 - 31060 Peardomville Rd., Abbotsford, BC V2T 6K5
PH: 604.855.1119 FAX: 604-855.4090
TOLL FREE: 1.888.404.1119
orders@mikesreelrepair.com
www.mikesreelrepair.com

WIRING

