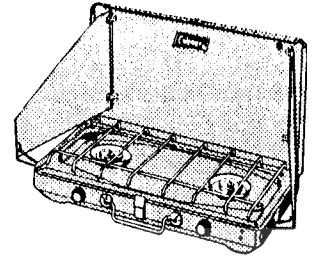


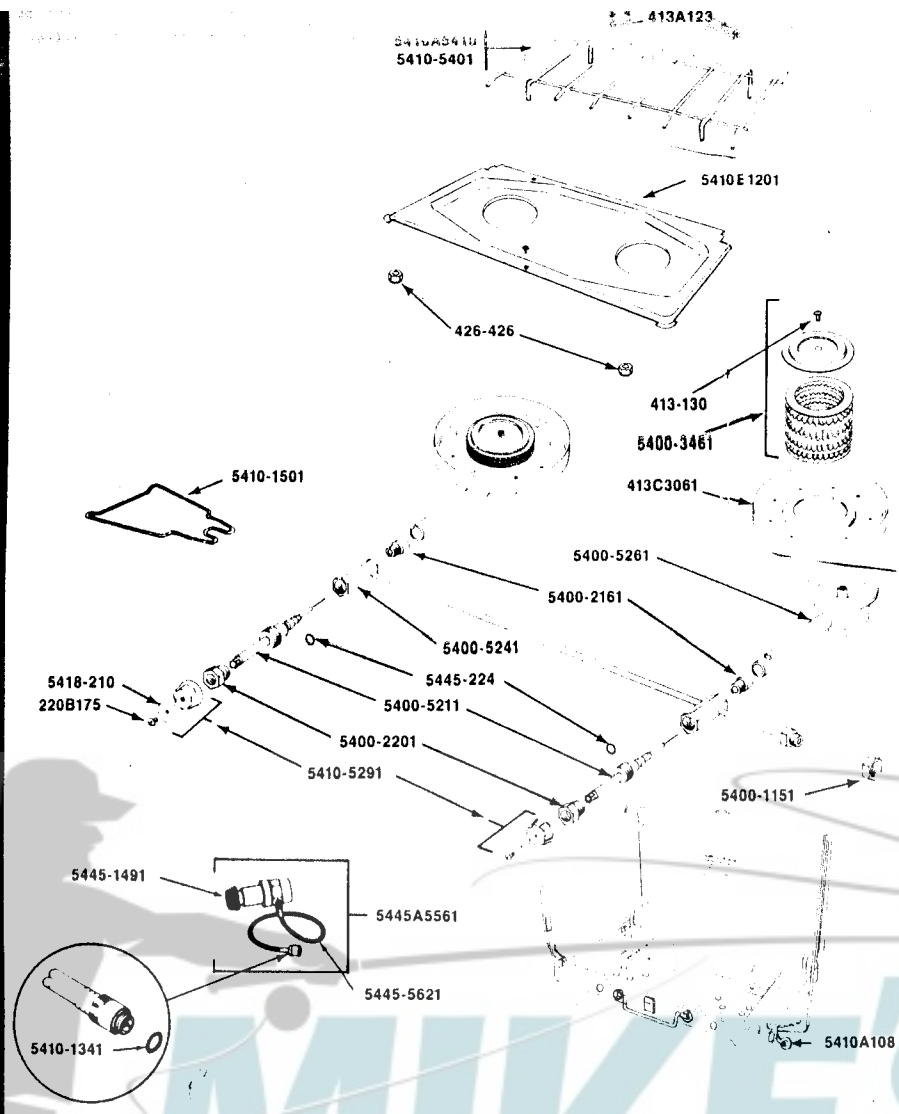
# STOVES

5410A700  
5410A708  
5410B708

Coleman Deluxe Propane Car  
Stove  
Specifications:



Model 5410A700



Model	Finish (Enamel)	Distance Between Corners	OVERALL DIMENSIONS		
			Height	Length	Width
5410B708 5410A708	Dark Green	11"	4"	20½"	12"
5410A700	Fount Green				

- 8B207 Enamel, Dark Green. . . . . 5410A708, 5410B708
- 8B242 Enamel, Fount Green . . . . . 5410A700
- 220B175 Screw, Self Tapping
- 413 - 130 Screw
- 413A123 Grate Clip. . . . . 5410A708
- 413C3061 Burner Bowl
- 426 - 426 Pal Nut
- 5400 - 1151 Lock Nut
- 5400 - 2161 Gas Tip
- 5400 - 2201 Valve Nut
- 5400 - 3461 Cap & Fillers
- 5400 - 5211 Valve Stem Assembly
- 5400 - 5241 Valve Body Assembly
- 5400 - 5261 Burner Body Assembly

- 5410 - 1341 O Ring
- 5410 - 1501 Bottle Support
- 5410 - 5291 Valve Knob Assembly
- 5410 - 5401 Grate . . . . . 5410A708
- 5410A108 Dust Cover
- 5410A5401 Grate . . . . . 5410A700, 5410B708
- 5410C1201 Stove Top (Includes two 413A123 Clips) 5410A708
- 5410E1201 Stove Top. . . . . 5410A700, 5410B708
- 5418 - 210 Disc
- 5445 - 1491 Knob, Regulator
- 5445 - 224 O Ring, Valve
- 5445 - 5621 Hose Assembly, Regulator
- 5445A5561 Regulator