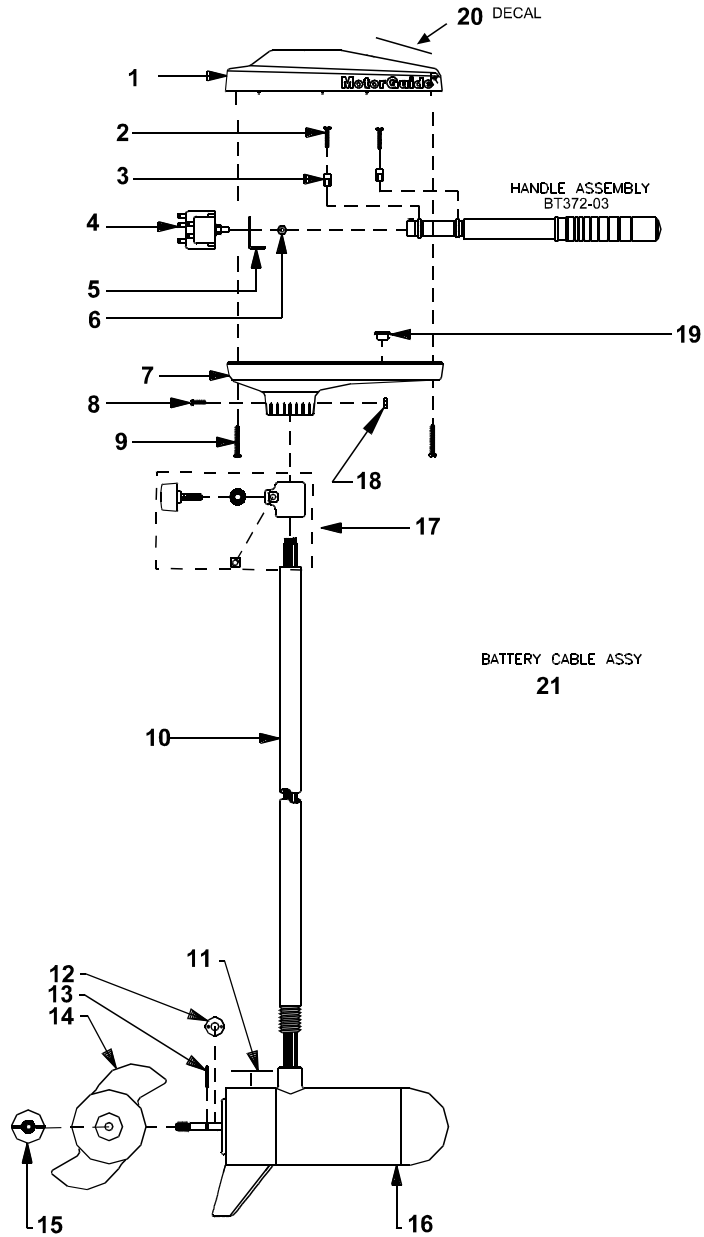


MotorGuide® REPAIR PARTS

Model:
540



SPECIFICATIONS:

Year of Intro	1993
Thrust	35 to 41LBS
Volts	12VDC
Amp Draw	0 to 48 amps
Mount	01 Bow
Speeds	5 For/2 Rev

QUICK REFERENCE PARTS GUIDE:

Handle Asy	BT372-03
Motor Seal Kit	6220
Rotary Switch	KT150-02

PARTS ORDERING & TECH ASSISTANCE



MIKE'S REEL REPAIRS

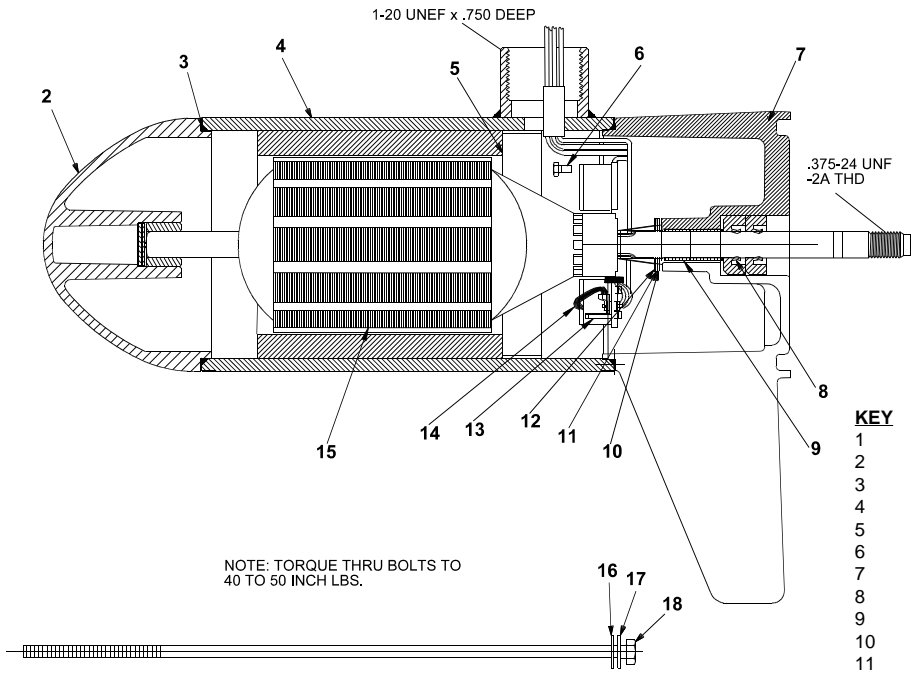
 PARTS AND SERVICE
 ROD & REEL REPAIRS
 TROLLING MOTORS
 MAIL ORDERS
 WARRANTY CENTRE
 FOR MOST MAJOR BRANDS

108 - 31060 Peardonville Rd., Abbotsford, BC V2T 6K5
 PH: 604.855.1119 FAX: 604-855.4090
 TOLL FREE: 1.888.404.1119
 orders@mikesreelrepair.com
www.mikesreelrepair.com

KEY	DESCRIPTION	PART #
1	COVER WHITE	FR053-10
	COVER BLACK	FR053-11
2	8x1 3/8 SCREW	AR133-01
3	RETAINER CLAMP	AR036-01
4	ROTARY SWITCH	KT150-01
5	BRACKET	AT155-02
6	NUT	AT098-01
7	T/H BASE WHITE	FR004-03
	T/H BASE BLACK	FR004-06
8	1/4X20 HEX HEAD	XT134-02
9	8X 1 3/8 SCREW	AR133-01
10	42" .095 SS H/O COLUMN	FR049-15
11	MARINE LOWER UNIT DECAL	AF060-04
12	MONOFILAMENT WASHER	AR175-01
13	PROP DRIVE PIN	BR102-01
14	PROP/ 2 BLADE	AF124-10
15	PROP NUT	AR099-01
16	MOTOR	DF397-02
17	DEPTH COLLAR ASSY	AR158-01
18	NYLON LOCK NUT	XT098-02
19	GROMMET	GR019-03
20	DECAL	BT056-04
21	BATTERY CABLE ASSY	BT328-03

LOWER UNIT BREAKDOWN

Model:
540



KEY	QTY	DESCRIPTION	PART NO.
1	X	MOTOR	DF397-09
2	1	NOSE CAP	JF3212-01
3	2	O RING SEAL	MR217-01
4	1	HOUSING ASY	JF3210-01
5	1	RETAINER	JF233-01
6	2	BRUSH CARD SCREW	MR228-01
7	1	COMM CAP	DF3205-03
8	2	SHAFT SEAL	MR223-01
9	1	BEARING	MR206-01
10	1	NYL	
11	1	WAS	
12	1	E RIF	
13	2	BRU	
14	1	BRU	
15	1	ARM	
16	4	STA	
17	4	THR	
18	2	THR	

MIKE'S REEL REPAIRS

PARTS AND SERVICE
 ROD & REEL REPAIRS
 TROLLING MOTORS
 MAIL ORDERS
 WARRANTY CENTRE
 FOR MOST MAJOR BRANDS

108 - 31060 Peardonville Rd., Abbotsford, BC V2T 6K5
 PH: 604.855.1119 FAX: 604-855.4090
 TOLL FREE: 1.888.404.1119
 orders@mikesreelrepair.com
 www.mikesreelrepair.com

WIRING

