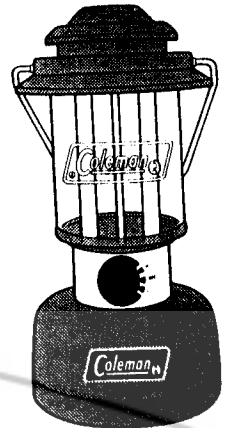
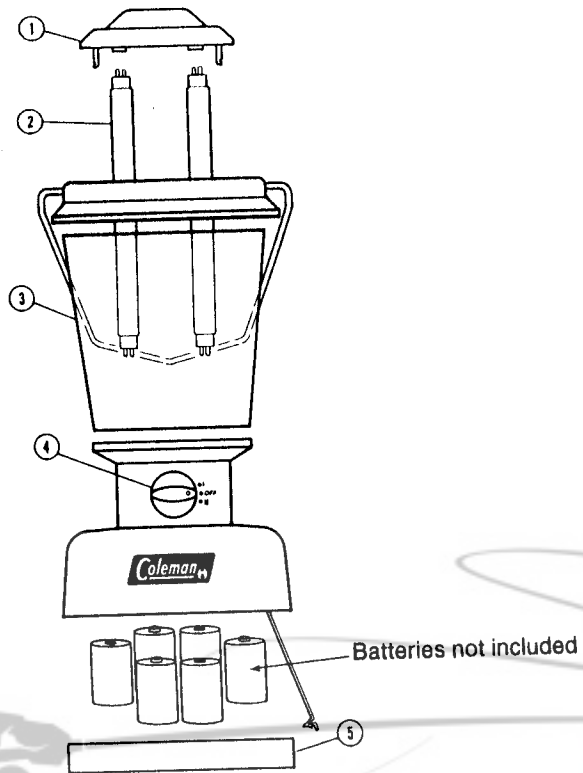


ELECTRIC LIGHTS AND SPOTLIGHTS

5344-700
Junior Fluorescent Lantern



Model 5344-700

- ① 5344-5011 Upper Top Cover
- ② 5344-1131 Fluorescent Tubes
- ③ 5344-1141 Globe
- ④ 5344-1121 Knob
- ⑤ 5344-1011 Base