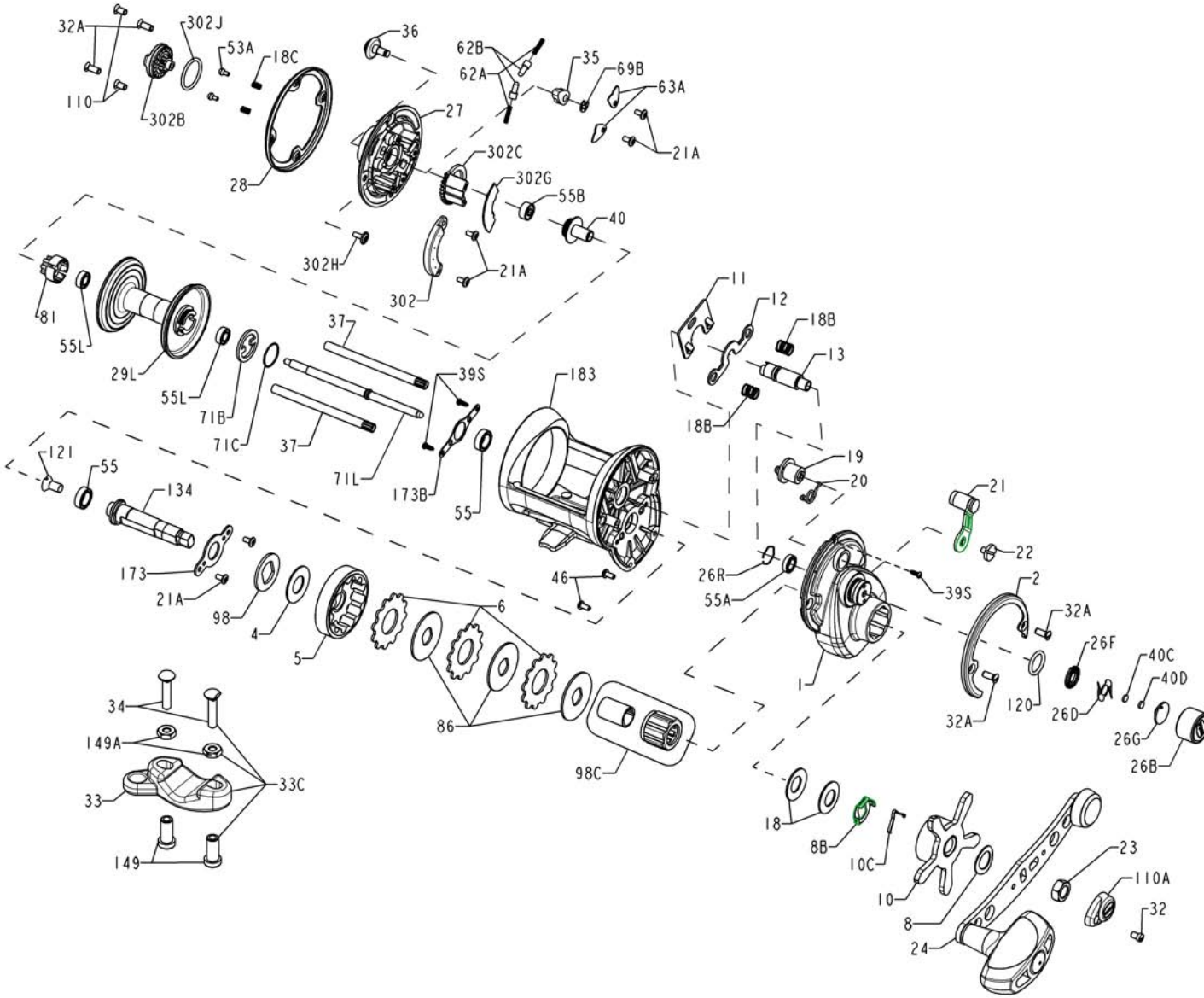




PARTS LIST FOR MODELS 515MAG2 & 525MAG2

REEL PART NOS. 1207532 (515MAG2) & 1207533 (525MAG2)



KEY NO.	ORDERING NO.	ORIGINAL PENN NO.	DESCRIPTION
1	1214640	1-525MAG2	Right Side Plate
2	1214523	2-525MAG2	Ring, Right Side Plate
4	1180755	4-60	Fiber Washer
5	1214524	5-525MAG2	Main Gear
6	1237037	6-TRQ40	Friction Drag Washer (3 req)
8	1181056	8-60	Washer, Tension
8B	1214525	8-525MAG2	Spring Retainer
10	1214526	10-525MAG2	Star Drag Assembly
10C	1214527	10C-525MAG2	Detent Spring
11	1214528	11-525MAG2	Eccentric Jack
12	1214649	12-525MAG2	Pinion Yoke
13	1214650	13-525MAG2	Pinion
18	1214651	18-525MAG2	Tension Spring Washer (2 req)
18B	1181624	18-525	Spring (2 req)
18C	1181632	18C-15KG	Spring (2 req)
19	1216239	19-525MAG2	Eccentric
20	1181785	20-525	Spring
21	1214704	21-525MAG2	Lever, Eccentric
21A	1214652	21A-420G	Screw (6 req)
22	1214705	22-525MAG2	Eccentric Screw
23	1181950	23-555	Nut
24	1214653	24A-525MAG2	Handle Assembly
26B	1214706	26B-525MAG2	Cap, Spool Tension Control
26D	1125769	26D-525MAG2	Click Spring
26F	1125768	26F-525MAG2	Click Plate "A"
26G	1125772	26G-525MAG2	Click Plate "B"
26R	1214654	26R-525MAG2	Ring, Retaining
27	1214655	27-515MAG2	Plate, Left Side (515MAG2)
27	1214656	27-525MAG2	Plate, Left Side (525MAG2)
28	1214657	28-525MAG2	Ring, Left Side
29L	1214634	29L-515MAG2	Spool (515MAG2)
29L	1214658	29L-525MAG2	Spool (525MAG2)
32	1182708	32-15	Screw
32A	1182722	32-310	Screw (4 req)
33	1182754	33-113	Rod Clamp
34	1182788	34-45	Screw (2 req)
33C	1214659	33C-525MAG2	Kit, Rod Clamp
35	1214660	35-525MAG2	Tongue, Click
36	1214661	36-525MAG2	Button, Click
37	1214663	37-515MAG2	Post, Frame (515MAG2) (2 req)
37	1214662	37-525MAG2	Post, Frame (525MAG2) (2 req)
39S	1183220	39-525	Screw (3 req)
40	1214664	40-525MAG2	Bushing, Left Side Spindle
40C	1208115	40C-525MAG2	Washer, Metal Thrust
40D	1125771	40D-525MAG2	Washer, Rubber Thrust
46	1183567	46-4300	Screw (2 req)
53A	1183846	53A-5600	Pin, Click (2 req)
55	1214665	55-525MAG2	Bearing, Ball (2 req)
55A	1214666	55A-525MAG2	Bearing, Ball
55B	1183880	55-113H	Bearing, Ball
55L	1192031	55L-965	Bearing, Ball (2 req)
62A	1214667	62A-525MAG2	Spring (2 req)
62B	1184038	62B-525MAG	Pin, Click (2 req)
63A	1214668	63A-525MAG2	Cover, Click Spring (2 req)
69B	1184129	69B-600	Ring, Retaining
71B	1214669	71B-525MAG2	Plate, Clutch
71C	1214670	71C-525MAG2	Retainer, Clutch Plate
71L	1214672	71L-515MAG2	Spindle (515MAG2)
71L	1214671	71L-525MAG2	Spindle (525MAG2)
81	1184210	81-525MAG	Ratchet, Click
86	1184251	86-49L	Washer, Keyed Drag (3 req)
98	1214673	98-525MAG2	Spacer
98C	1216190	98C-525MAG2	Clutch / Sleeve Assembly
110	1184436	110-50	Screw (2 req)
110A	1214675	110A-525MAG2	Cover, Handle Nut Lock
120	1184522	120-113H	O-Ring
121	1184529	121-525	Screw
134	1214676	134-525MAG2	Stud, Gear
149	1184702	149-45	Nut, Rod Clamp (2 req)
149A	1184706	149-200	Nut, Hex (2 req)
173	1214677	173-525MAG2	Retainer, Bearing
173B	1214678	173B-525MAG2	Retainer, Bearing
183	1214680	183-515MAG2	Frame, Complete (515MAG2)
183	1214679	183-525MAG2	Frame, Complete (525MAG2)
302	1214681	302-525MAG2	Assembly, Magnet Housing
302B	1214682	302B-525MAG2	Dial, Brake Adjustment
302C	1214683	302C-525MAG2	Carrier, Magnet Shield
302G	1214684	302G-525MAG2	Shield, Adjustable Magnet
302H	1214685	302H-525MAG2	Screw
302J	1214686	302J-525MAG2	O-Ring