

MotorGuide® REPAIR PARTS

Model:
5107V

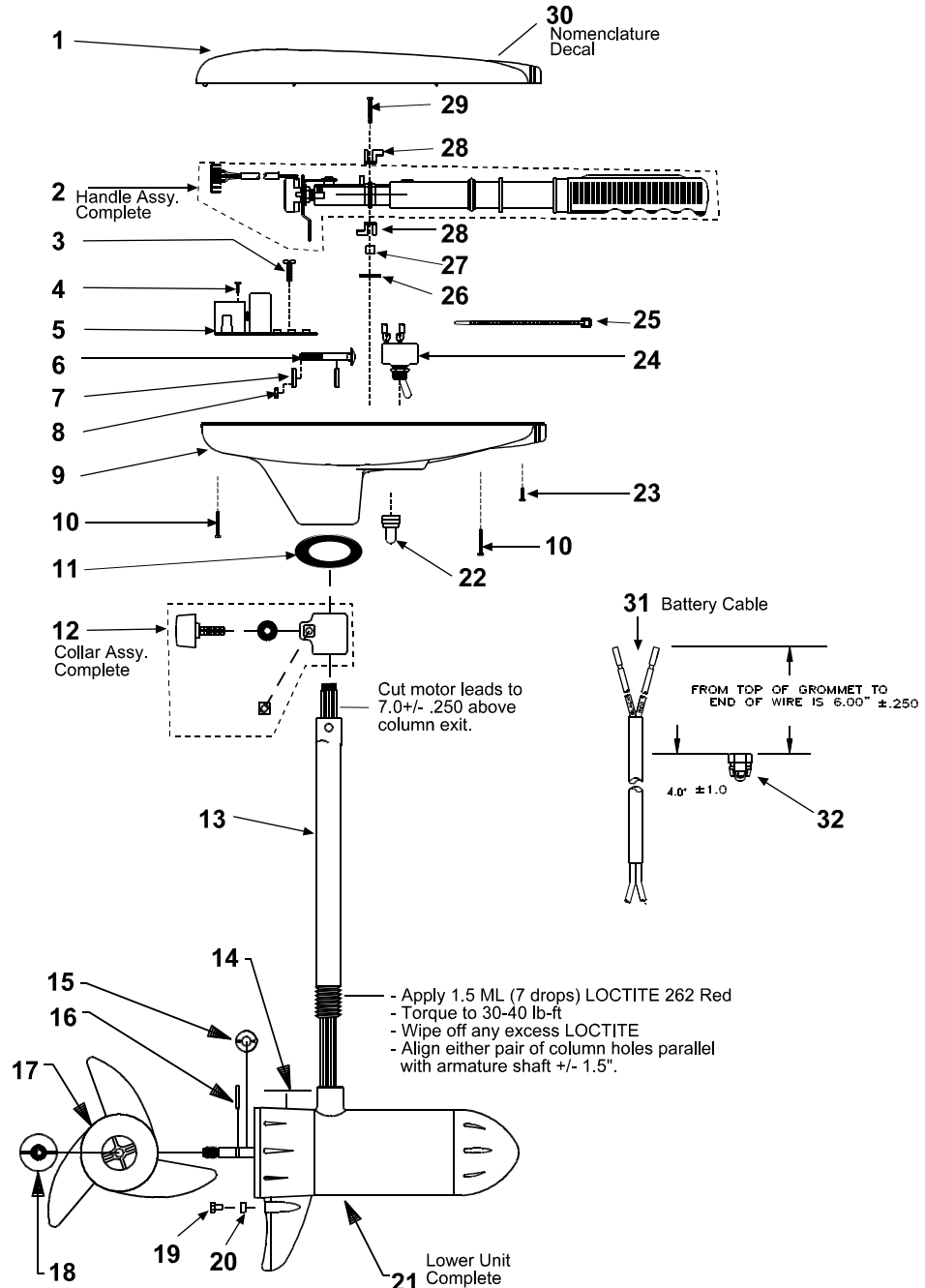
SPECIFICATIONS:
 Year of Intro 1999
 Thrust 107 LBS
 Volts 36VDC
 Amp Draw 0 to 48amps
 Mount 20 Bow
 Speeds Variable

PARTS ORDERING & TECH ASSISTANCE

MIKE'S REEL REPAIRS

PARTS AND SERVICE
 ROD & REEL REPAIRS
 TROLLING MOTORS
 MAIL ORDERS
 WARRANTY CENTRE
 FOR MOST MAJOR BRANDS

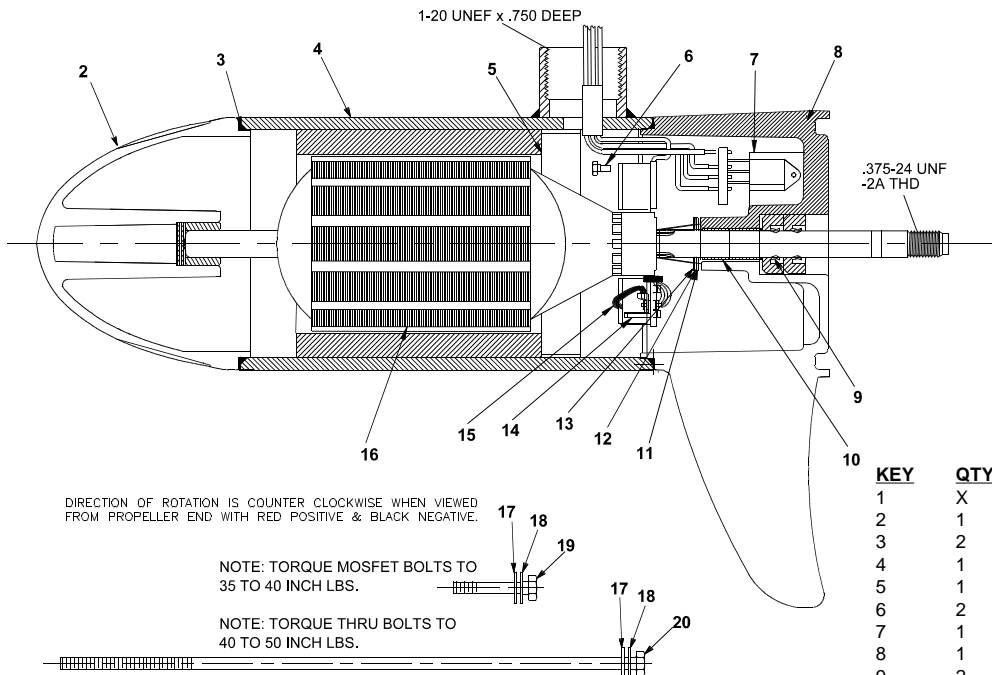
108 - 31060 Peardonville Rd., Abbotsford, BC V2T 6K5
 PH: 604.855.1119 FAX: 604-855.4090
 TOLL FREE: 1.888.404.1119
 orders@mikesreelrepair.com
 www.mikesreelrepair.com



KEY	DESCRIPTION	PART #	KEY	DESCRIPTION	PART #
1	TOP HOUSING COVER BLACK	AT053-10	19	ANODE	AR002-01
2	HANDLE ASY	AT372-05	20	MOTOR	XF397-01
3	#10 X 1/2" SCREW	RT133-03	21	SWITCH BOOT	FP177-01
4	#4 SELF TAPPING SCREW	AF141-01	22	SCREW #8X1/2"	FR135-01
5	CIRCUIT BOARD FOR/REV	AT157-03	23	TOGGLE SWITCH	FP153-07
6	BOLT	TT134-02	24	CABLE TIE	AF030-01
7	CURVED WASHER	TT171-08	25	BATTERY CABLE CLAMP	AT036-01
8	NYLON LOCK NUT	XT098-02	26	HANDLE BOSS BUSHING	AT022-01
9	T/H BASE BLACK	AT004-11	27	RETAINER CLAMP	AR036-02
10	SCREW #8 X 1"	LF141-04	28	8 X 1-3/8 SCREW	AR133-01
11	COLUMN SEAL	AT079-01	29	NOMENCLATURE DECAL	AT056-22
12	DEPTH ADJUSTMENT COLLAR	AR158-01	30	BATTERY CABLE	XT328-06
13	COLUMN 36"	FR049-11	31	GROMMET	GR019-01
	COLUMN 42"	FR049-12			
	COLUMN 50"	FR049-13			
14	LOWER UNIT DECAL	AF060-07			
15	MONOFILAMENT WASHER	AR175-01			
16	PROP DRIVE PIN	BR102-02			
17	PROP/3 BLADE	AF124-11			
	PROP/2 BLADE	AF124-07			
18	PROP NUT	AR099-01			

LOWER UNIT BREAKDOWN

Model:
5107V



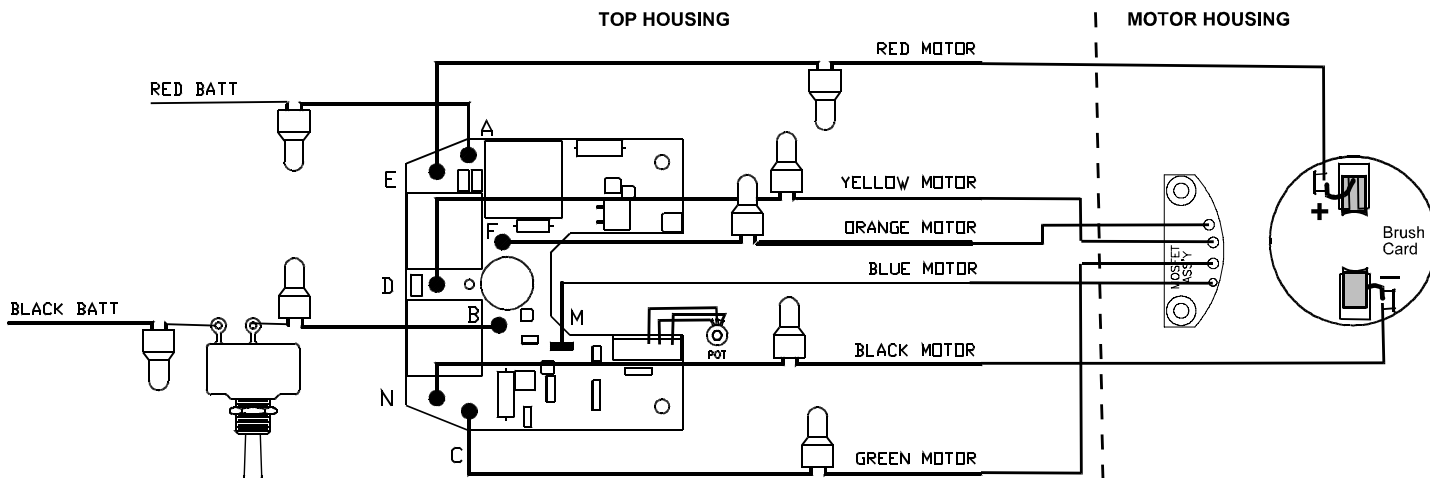
DIRECTION OF ROTATION IS COUNTER CLOCKWISE WHEN VIEWED FROM PROPELLER END WITH RED POSITIVE & BLACK NEGATIVE.

NOTE: TORQUE MOSFET BOLTS TO 35 TO 40 INCH LBS.

NOTE: TORQUE THRU BOLTS TO 40 TO 50 INCH LBS.

KEY	QTY	DESCRIPTION	PART NO.
1	X	MOTOR	XF397-01
2	1	NOSE CAP	XF3212-01
3	2	O RING SEAL	MR217-01
4	1	HOUSING ASY	XF3210-01
5	1	RETAINER	JF233-01
6	2	BRUSH CARD SCREW	MR228-01
7	1	DURA AMP MODULE	JF096-09
8	1	COMM CAP	XF3205-02
9	2	SHAFT SEAL	MR223-01
10	1	BEARING	MR206-01
11	1	NYLATRON WASHER	MR226-01
12	1	WASHER	MR227-01
13	1	E RING	MR219-02
14	2	BRUSH SPRINGS	XF214-01
15	1	BRUSH ASY LESS SPRING	XF3201-02
16	1	ARMATURE	XF3207-01
17	4	STATIC SEAL	MR222-01
18	4	THRU BOLT WASHER	MR216-02
19	2	DURA AMP SCREW	MR229-04
20	2	THRU BOLT	MR218-18

WIRING



SUBJECT TO DAMAGE BY STATIC ELECTRICITY ASSEMBLE AT STATIC FREE WORK STATION!