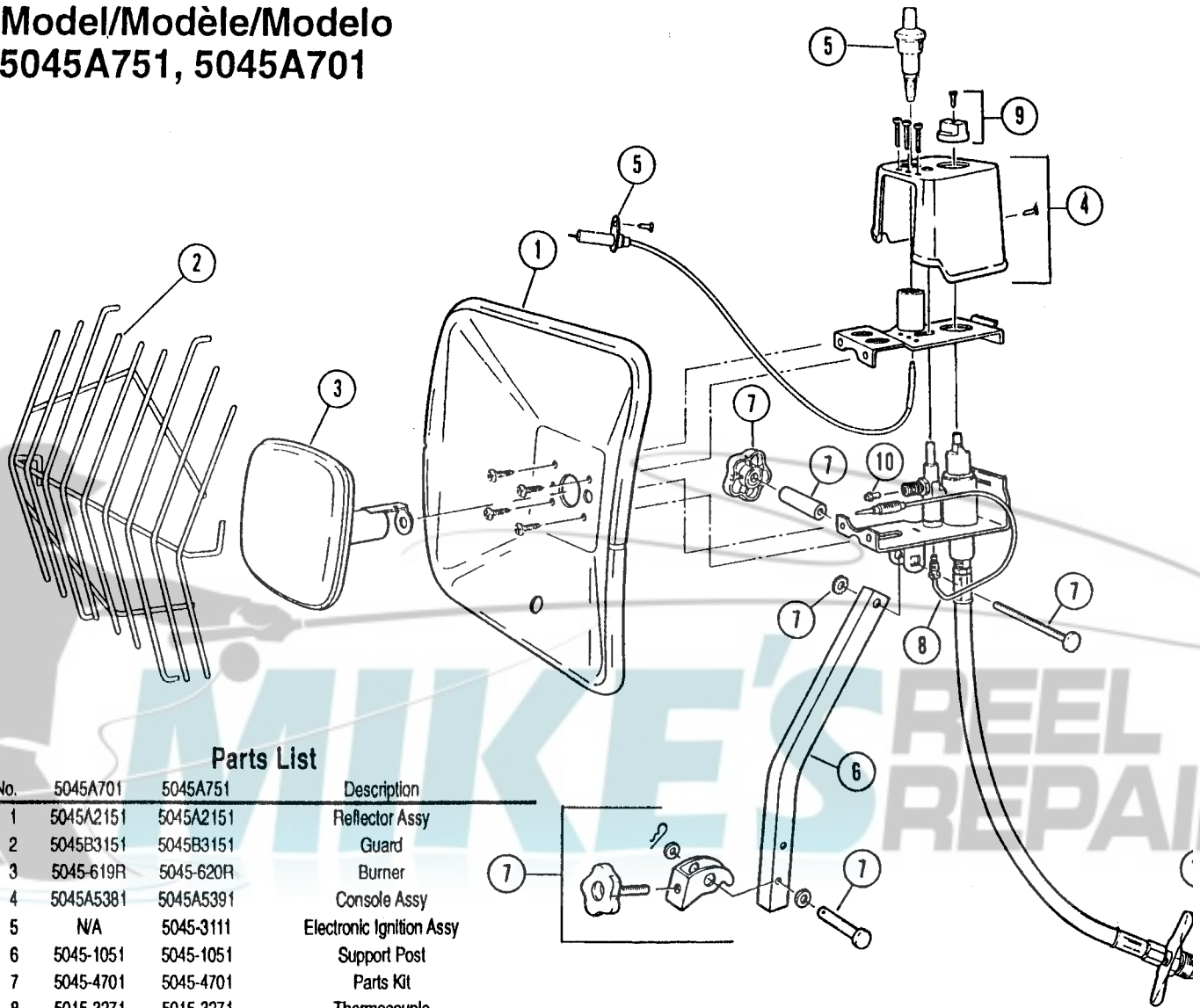


Coleman®

Powermate

Model/Modèle/Modelo
5045A751, 5045A701



Parts List

| No. | 5045A701 | 5045A751 | Description |
|-----|-----------|-----------|--------------------------|
| 1 | 5045A2151 | 5045A2151 | Reflector Assy |
| 2 | 5045B3151 | 5045B3151 | Guard |
| 3 | 5045-619R | 5045-620R | Burner |
| 4 | 5045A5381 | 5045A5391 | Console Assy |
| 5 | N/A | 5045-3111 | Electronic Ignition Assy |
| 6 | 5045-1051 | 5045-1051 | Support Post |
| 7 | 5045-4701 | 5045-4701 | Parts Kit |
| 8 | 5015-3271 | 5015-3271 | Thermocouple |
| 9 | 5443-1491 | 5443-1491 | Control Knob |
| 10 | 5045-2181 | 5045-2181 | Gas Tip |
| 11 | 5410A1381 | 5410A1381 | "O" Ring |

Nomenclature

| No | 5045A701 | 5045A751 | Désignation |
|----|-----------|-----------|---------------------------|
| 1 | 5045A2151 | 5045A2151 | Ens. du réflecteur |
| 2 | 5045B3151 | 5045B3151 | Grille protectrice |
| 3 | 5045-619R | 5045-620R | Brûleur |
| 4 | 5045A5381 | 5045A5391 | Ens. de la console |
| 5 | non disp. | 5045-3111 | Ens. d'allumage électron. |
| 6 | 5045-1051 | 5045-1051 | Support |
| 7 | 5045-4701 | 5045-4701 | Néc. de pièces |
| 8 | 5015-3271 | 5015-3271 | Thermocouple |
| 9 | 5443-1491 | 5443-1491 | Bouton de commande |
| 10 | 5045-2181 | 5045-2181 | Tip de gaz |
| 11 | 5410A1381 | 5410A1381 | Joint torique |

Lista de Piezas

| No. | 5045A701 | 5045A751 | Descripción |
|-----|-----------|-----------|-----------------------|
| 1 | 5045A2151 | 5045A2151 | Reflector |
| 2 | 5045B3151 | 5045B3151 | Protector |
| 3 | 5045-619R | 5045-620R | Quemador |
| 4 | 5045A5381 | 5045A5391 | Consola |
| 5 | N/A | 5045-3111 | Encendido electrónico |
| 6 | 5045-1051 | 5045-1051 | Columna de apoyo |
| 7 | 5045-4701 | 5045-4701 | Juego de piezas |
| 8 | 5015-3271 | 5015-3271 | Termopar |
| 9 | 5443-1491 | 5443-1491 | Perilla de control |
| 10 | 5045-2181 | 5045-2181 | Boquilla de gas |
| 11 | 5410A1381 | 5410A1381 | Anillo O |