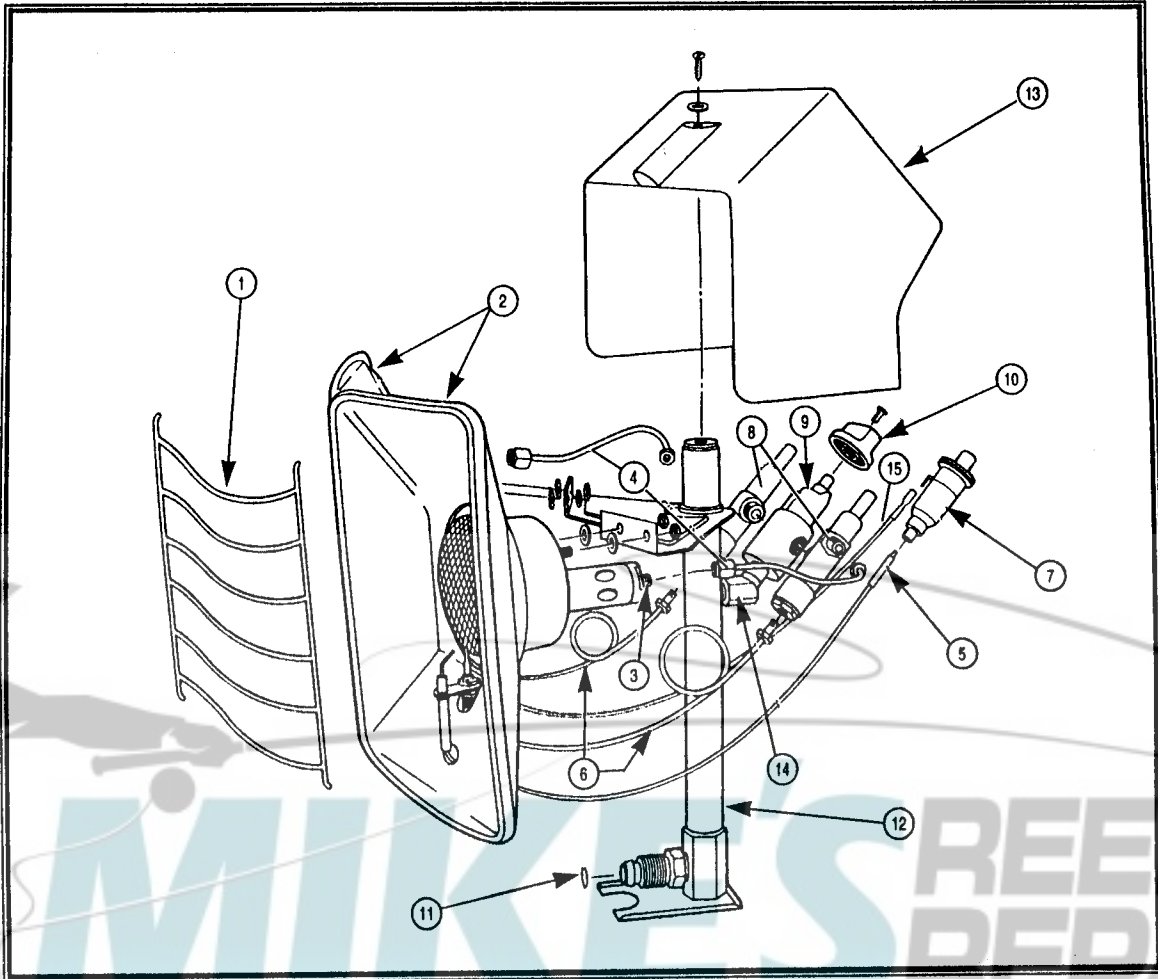


PRODUCED - 11/90 thru 11/91



DIMENSIONS	INPUT RATING
15" x 12" x 17"	30,000 BTUH

I.D.#	PART NUMBER	DESCRIPTION
1	5015-3151	Guard
2	5015-5301	Burner (Model 5030-700)
	5015A5301	Burner (Model 5030-701)
3	5015-5141	Gas Tip
4	5030-5111	Gas Line with Connectors
5*	5015-3101	Electrode and Wire (Model 5030-700)
6	5015-3251	Thermocouple
7*	5440A1501	Ignitor (Model 5030-700 only)
8	5015-3301	Thermocouple Valve
9	5030-5201	Regulator
10	5154A1491	Knob
11	5410B138	"O" Ring
12	5030-5101	Post Assembly
13	5030-5181	Console (Model 5030-700)
	5030A5191	Console (Model 5030-701)
14	5015-102	Elbow
15	5030-3101	Electrode and Wire

*Auto-Ignition Only.