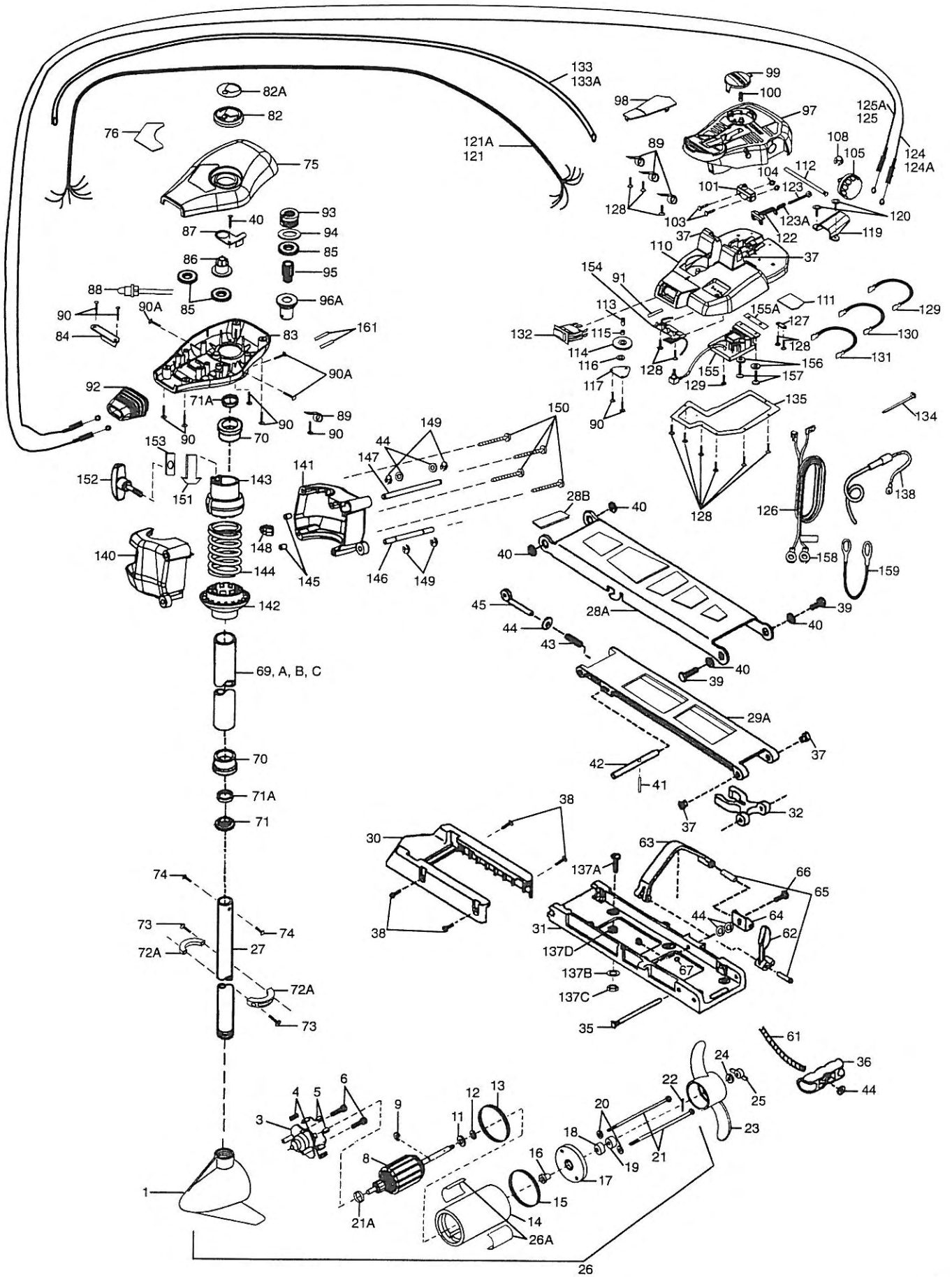


PARTS DIAGRAM 48 AT



MODEL 48AT

REPLACEMENT PARTS

In the U.S.A., replacement parts may be ordered from the Minn Kota Parts Dept., JWA North America, 1531 E. Madison Ave., Mankato, Minnesota 56001. In Canada, parts may be ordered from any of the Canadian Authorized Service Centers shown on the enclosed list. Be sure to provide the MODEL and SERIAL numbers of your motor when ordering parts and please use the correct part Numbers from the Parts List. Payment for parts ordered from the Minn Kota Parts Dept., may be by cash, check, MasterCard, Visa card, or UPS C.O.D. To order call 1-800-227-6433.

Item #	Part Number	Description	Item #	Part Number	Description
1	403-023	Front Endbell	89	226-3200	Clamp-Wire Harness (4 req'd)
3	406-403	Brush Plate Assembly	90	230-1310	Screw (13 req'd)
4	406-082	Brush Spring (2 req'd)	90A	226-2109	Screw (3 req'd)
5	406-071	Brush Assembly (2 req'd)	91	237-5400	Shrink Tube
6	406-342	Brush Plate Screw (2 req'd)	92	226-5110	Boot-Control Box
8	406-207	Armature Assembly	93	223-2360	Pulley-Control Box
9	405-300	E-Ring	94	226-1730	Washer-Nylon
11	406-170	Thrust Washer (Steel)	95	226-7805	Drive Pinion (Order Item #96)
12	405-171	Thrust Washer (Nylon)	96	277-6204	Top Bearing Race Assembly (Includes #95, 96A)
13	406-490	Gasket	96A	226-6246	Bearing Race (Order Item #96)
14	403-253	Center Section W/Magnets	97	226-4430	Foot Pedal
15	406-470	O-Ring	98	226-6700	Plug
16	406-600	Flange Bearing	99	226-3700	Push Button
17	406-033	Rear Endbell	100	230-2732	Spring
18	406-461	Seal	101	226-4023	Switch
19	406-471	Seal (Cup)	103	226-2114	Screw (2 req'd)
20	405-462	O-Ring (Thru Bolt) (2 req'd)	104	223-3100	Nut (2 req'd)
21	406-353	Thru Bolt (2 req'd)	105	226-0160	Speed Control Knob
21A	406-010	Ball Bearing	108	226-3000	E-Ring
22	209-2600	Drive Pin	110	226-4500	Foot Pedal Base
23	209-1150	Propeller	111	226-5605	Decal-Battery
24	205-1700	Lockwasher	112	226-0510	Pin-Pivot
25	205-3100	Prop Nut	113	226-0515	Pin-Pulley
26	209-9056	Motor Assembly Complete (42" Std) (48", 54" Optional)	114	226-2300	Pulley
26A	206-6642	Motor Decal (2 req'd)	115	226-0000	Bearing-Pulley
27	203-2063	Tube 42"	116	226-1705	Washer-Nylatron
27A	203-2064	Tube 48" (Optional)	117	226-6400	Cover-Pulley
27B	203-2065	Tube 54" (Optional)	119	226-5115	Boot-Foot Pedal
28	299-1957	Bow Guard 360 Assembly	120	226-2113	Screw (2 req'd)
28A	226-4201	Arm-Upper	121	226-1215	Wire Harness (5')
28B	226-5120	Bumper	121A	226-1216	Wire Harness (7') (Optional)
29	277-4302	Arm-Lower Assembly (w/Items #29A, 36, 41-45, 61)	122	226-3210	Bracket-Conduit Adj.
29A	225-4321	Arm-Lower (Order Item #29)	123	226-3460	Screw
30	226-3900	Motor Rest	123A	226-2720	Spring
31	225-1941	Bow Plate	124	226-7500	Cable Assembly-Right (5')
32	229-3801	Tube Lock	124A	226-7501	Cable Assembly-Right (7') (Optional)
35	223-0500	Hinge Pin	125	226-7510	Cable Assembly-Left (5')
36	215-0400	Pull Grip	125A	226-7511	Cable Assembly-Left (7') (Optional)
37	223-6000	Nyliner Bearing (2 req'd)	126	226-1226	Leadwire
38	230-3430	Screw (4 req'd)	127	226-3205	Clamp
39	229-3511	Bolt-Upper Arm (2 req'd)	128	233-2103	Screw (14 req'd)
40	229-3500	Bushing-Upper Arm (4 req'd)	129	226-0315	Connecting Wire-Black (See Wiring Diagram)
41	215-2610	Spring Pin	130	226-0310	Connecting Wire-White (See Wiring Diagram)
42	223-3600	Lock Bar	131	226-0320	Connecting Wire-Red (See Wiring Diagram)
43	215-2700	Spring	132	225-4031	Switch Mom/Off/Con
44	215-1700	Washer (6 req'd)	133	226-5430	Cable Jacket (5')
45	215-3600	Eye Shaft	133A	226-5431	Cable Jacket (7') (Optional)
61	225-1600	Rope	134	225-6300	Tie Wrap
62	226-7200	Latch Lever	135	226-6410	Cover Plate
63	226-3800	Hold Down Strap	137	299-4811	Bag Assembly
64	226-1910	Bracket	137A	215-3501	Mounting Bolt (6 req'd) (Order #137)
65	226-0500	Roll Pin (2 req'd)	137B	230-1720	Mounting Washer (6 req'd) (Order #137)
66	226-3440	Screw	137C	215-3100	Mounting Nut (6 req'd) (Order #137)
67	233-3101	Hex Nut	137D	215-1726	Mounting Flat Washer (6 req'd)
69	299-2015	Outer Tube Assembly (18) (Includes #69A, 70)	138	206-0310	Fused Grounding Wire
69A	227-2066	Outer Tube (18) (Order #69)	139	277-1931	Bracket Assembly Bowguard includes the Numbers Starred (*)
69B	299-2016	Outer Tube (24) (Order #69B)	140	226-1921*	Bracket Base Left (Order #139)
69C	227-2067	Outer Tube (24) (Order #69B)	141	226-1931*	Bracket Base Right (Order #139)
70	226-6260	Bearing Race (2 req'd)	142	226-1530*	Spring Sleeve-Lower (Order #139)
71	226-6115	Bearing Cone	143	226-1520*	Spring Sleeve-Upper (Order #139)
71A	226-6000	Ball Bearing	144	226-2700*	Spring Break Away (Order #139)
72	277-1615	Collar Kit (Includes #72A, 73)	145	226-7300*	Bushing (2 req'd) (Order #139)
72A	226-1615	Collar Half (2 req'd) (Order Item #72)	146	226-0530	Hinge Pin Lower
73	226-3450	Screw (2 req'd) (Order Item #72)	147	226-0520	Hinge Pin Upper
74	226-3410	Screw (2 req'd)	148	226-2310	Rope Guide
75	226-0263	Control Box Cover	149	226-3010	E-Ring (4 req'd)
76	226-5523	Decal-Cover	150	226-3470*	Screw (4 req'd)
82	226-0150	Pointer Disc	151	226-2800*	Tension Block (Order #139)
82A	226-5800	Decal Indicator	152	201-1385	Knob-Tension (Order #139)
83	226-2530	Control Box	153	226-3100*	Nut-Insert (Order #139)
84	226-1900	Bracket-Conduit	154	230-4035	Battery Gauge
85	226-7800	Gear Indicator (3 req'd)	155	226-4005	Control Board Assembly
86	226-2220	Indicator-Drive	155A	226-5105	Insulating Pad
87	226-1905	Bracket-Indicator	156	226-1711	Washer (2 req'd)
88	226-4015	Light-Indicator	157	237-2100	Screw (2 req'd)
			158	209-0700	Ring Terminal (2 req'd)
			159	234-0610	Connector Cable
			161	235-5410	Shrink Tube (2)

